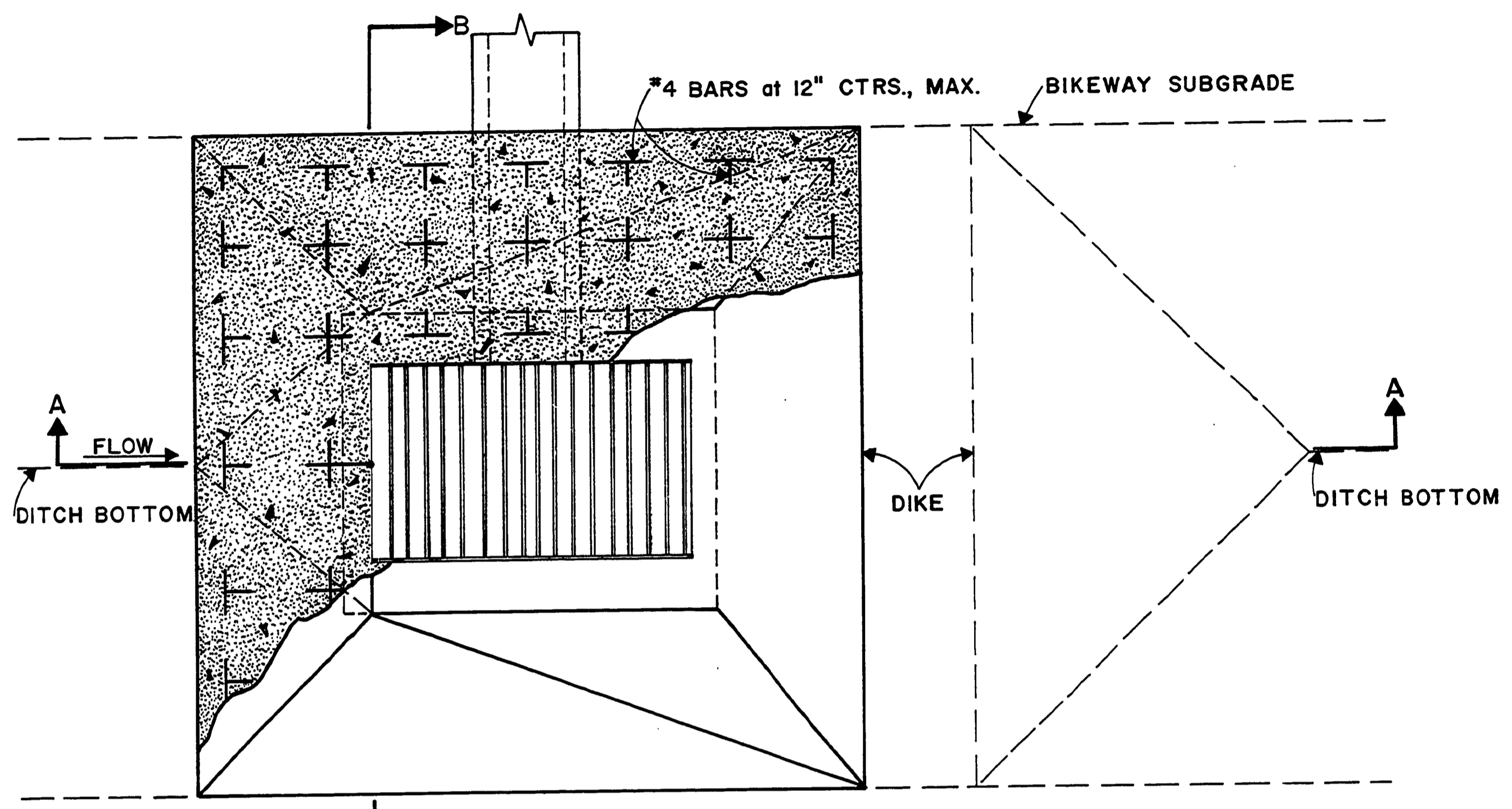
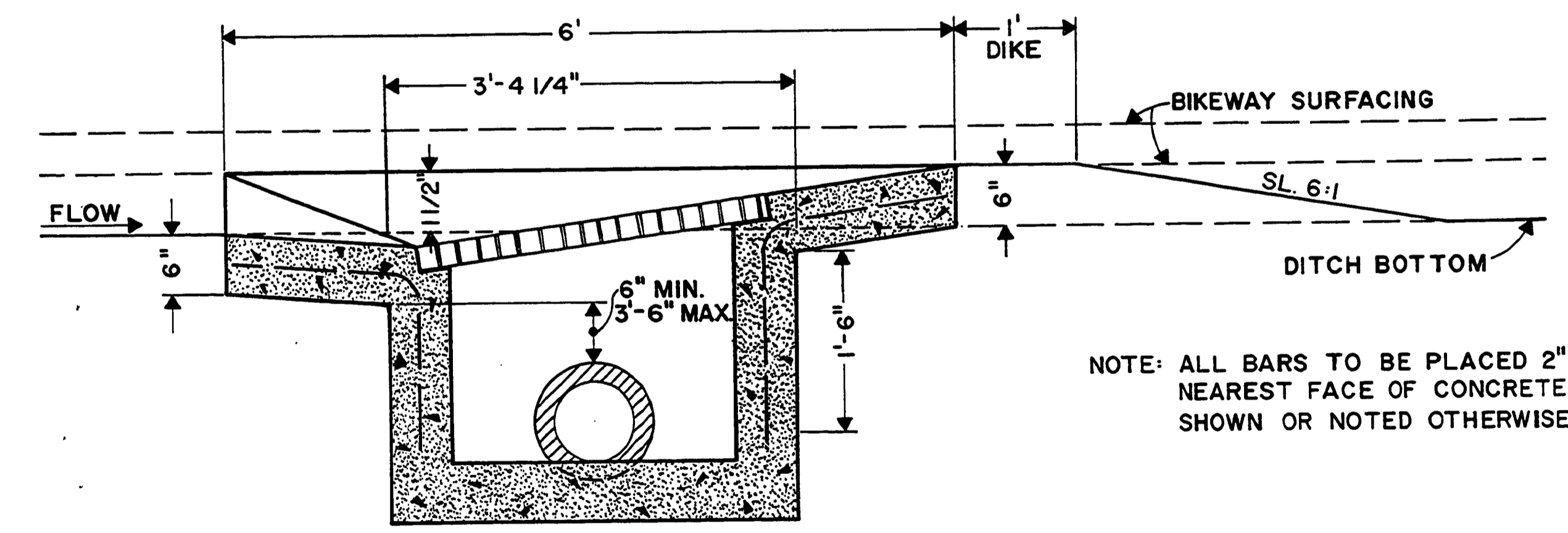


FILED
 RECEIVED *ed*
 APR 20 1983
 COUNTY SURVEYOR
 DOUGLAS COUNTY, ORE.

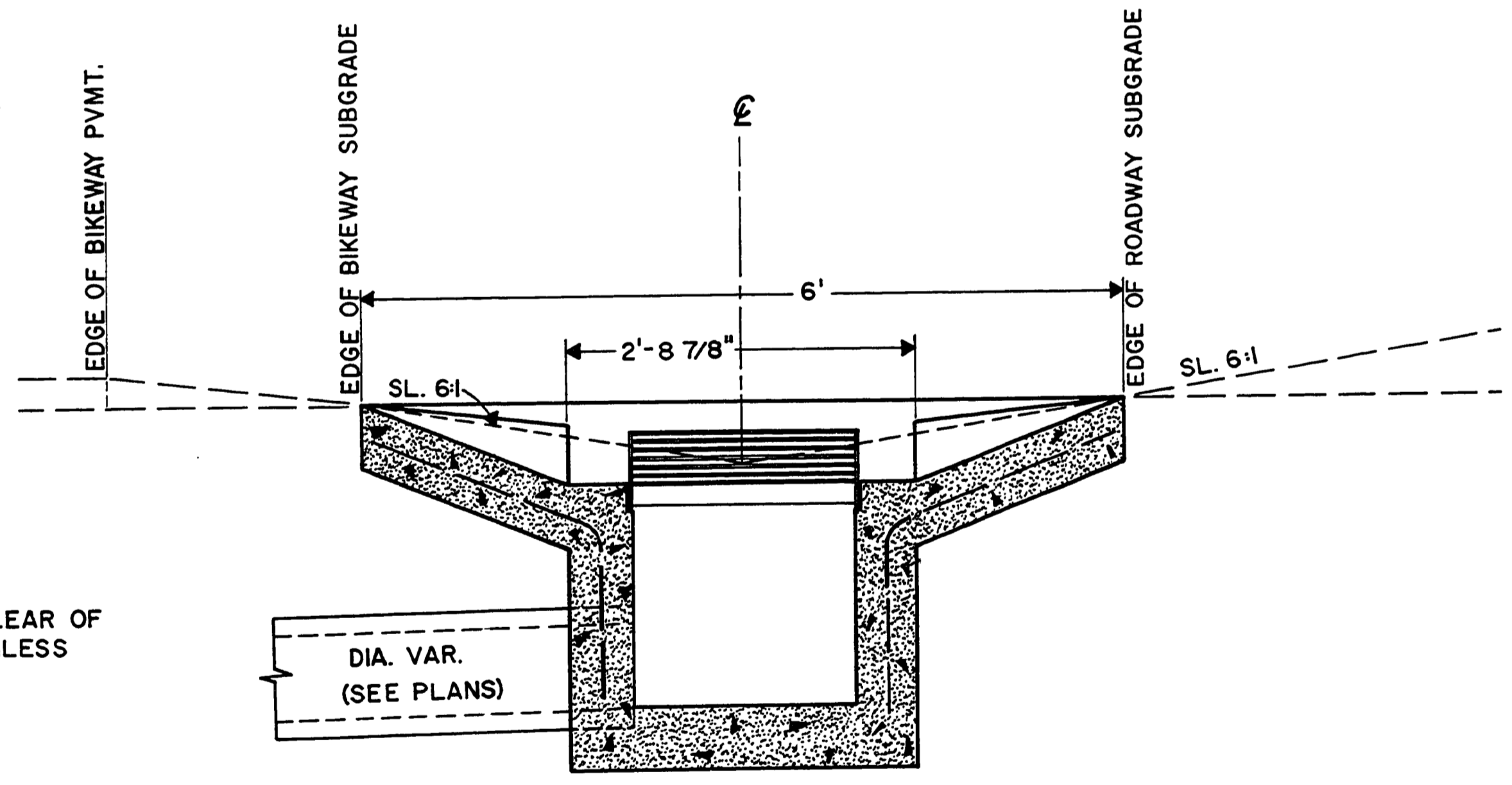


PLAN



ELEVATION SECTION A-A

NOTE: ALL BARS TO BE PLACED 2" CLEAR OF NEAREST FACE OF CONCRETE UNLESS SHOWN OR NOTED OTHERWISE.



SECTION B-B

REVISIONS			DOUGLAS COUNTY PUBLIC WORKS DEPARTMENT ROLLING HILLS ROAD NO. 366 TYPE G-1 MODIFIED DITCH INLET		
Engr.	Drawn	Checked	K.L. ERICKSON, DIRECTOR		
<i>W. H. Roland</i>	<i>W. H. Roland</i>	<i>W. H. Roland</i>	Date	Scale	Drwg. No.
Approved	Recommended		JUNE 1981	1" = 1'	7

0000DITC