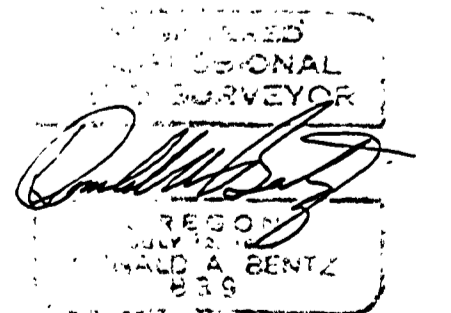
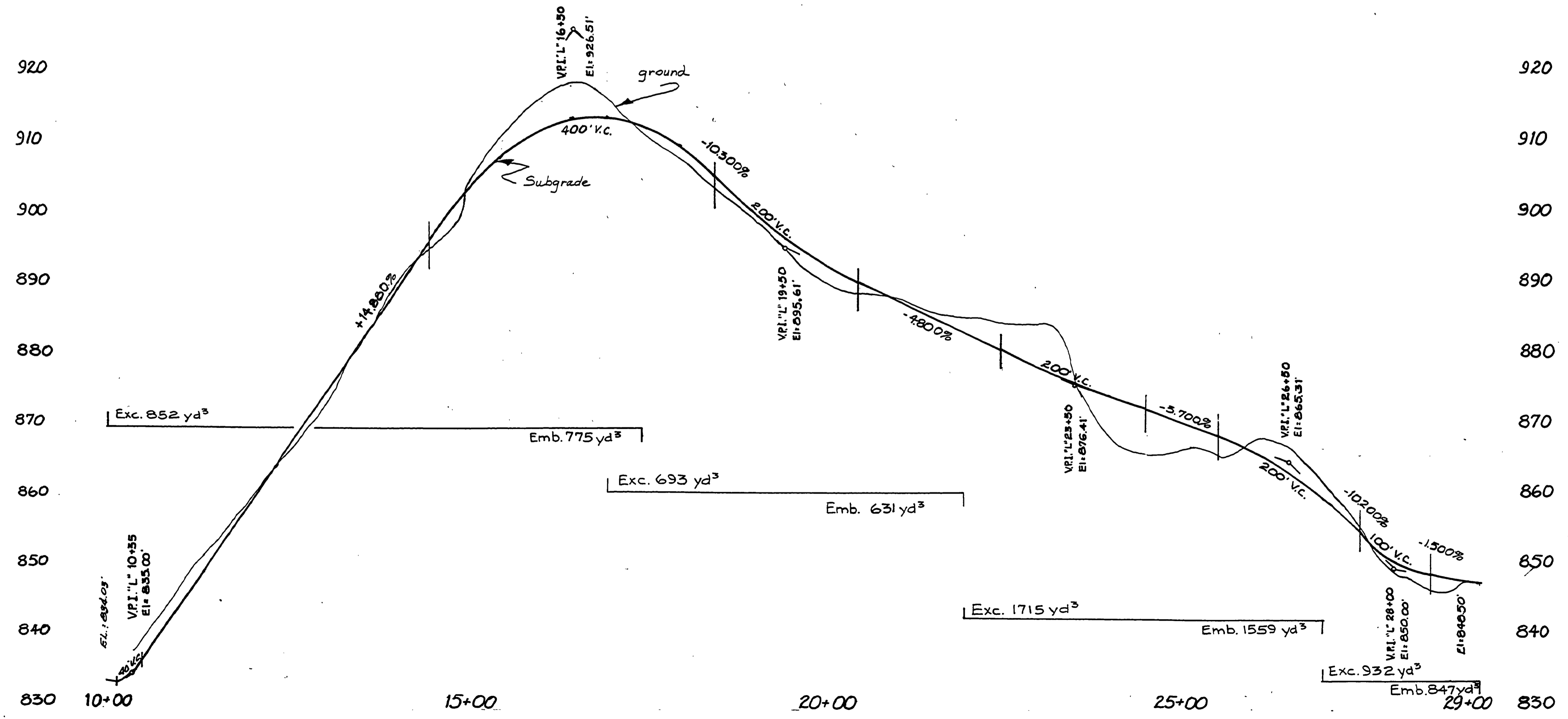
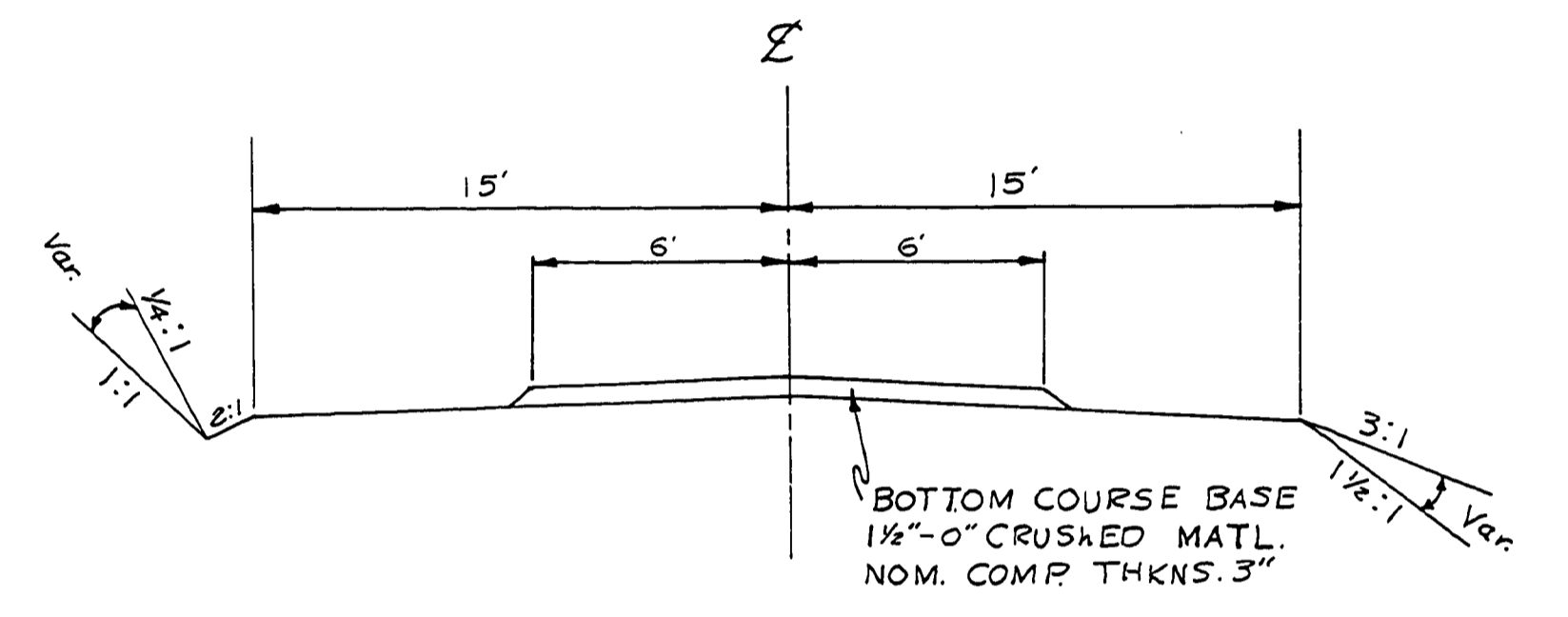


Scale: 1" = 100'

**Typical Section**



**Bentrige Road**  
 Engineered for **Dan Webb**  
 Surveyed by **Don Bentz**  
 June 1974 Page 6

CO. RD. NO. 359 C S. 7, T. 24 S., R. 5 W., N. M.

M.P. 0.00 - 0.36 #3572

00000036