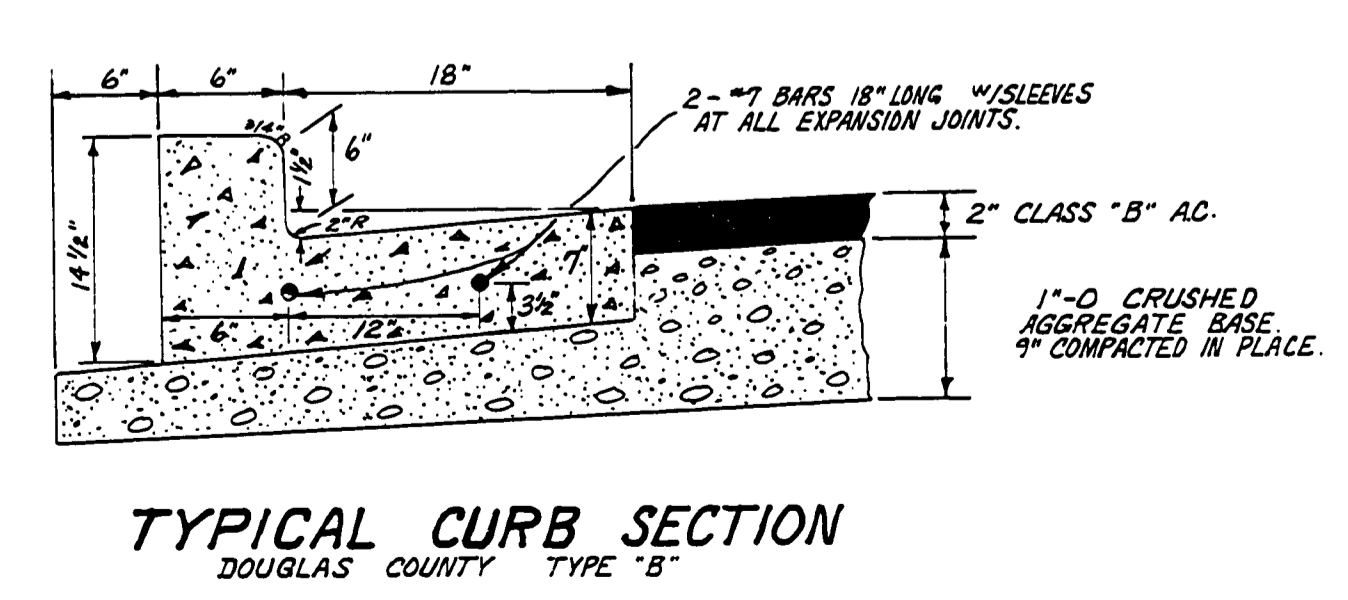
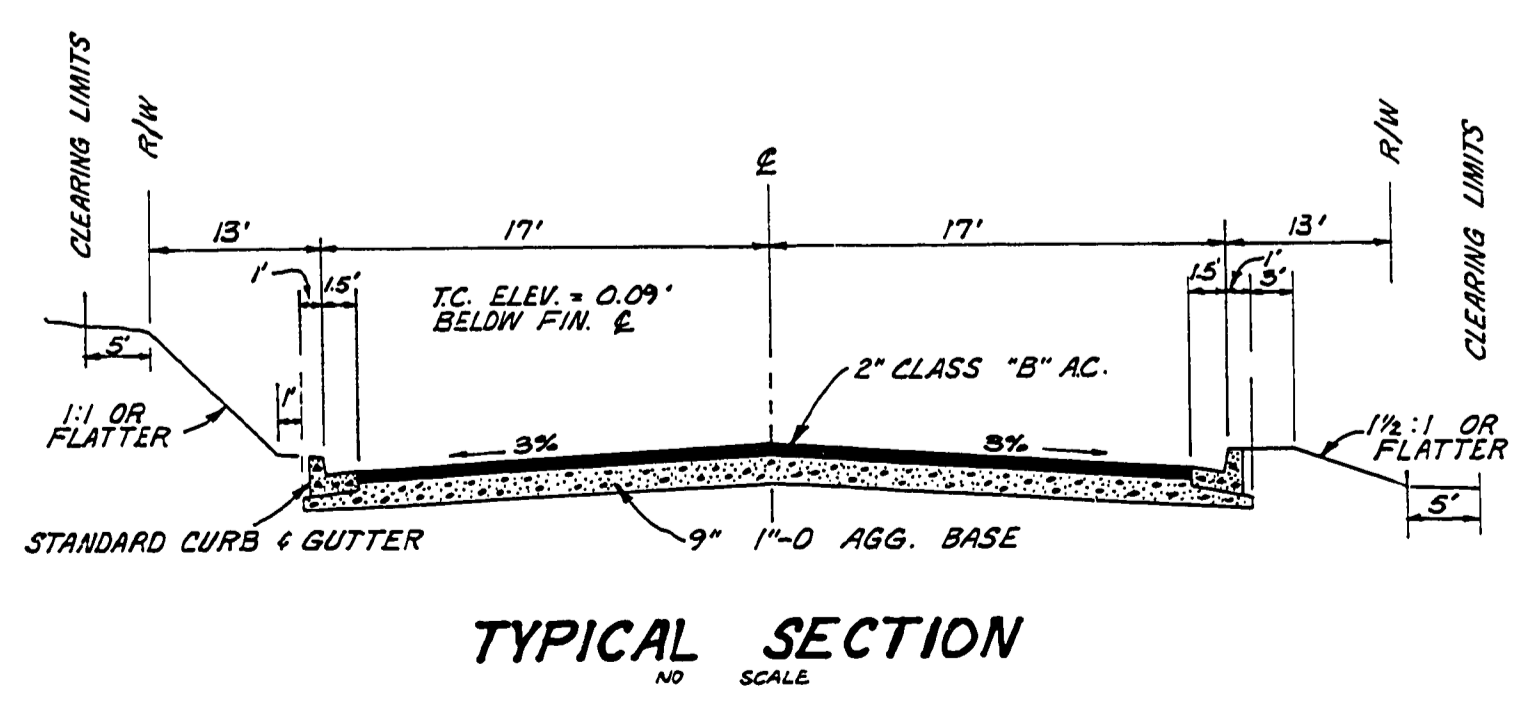
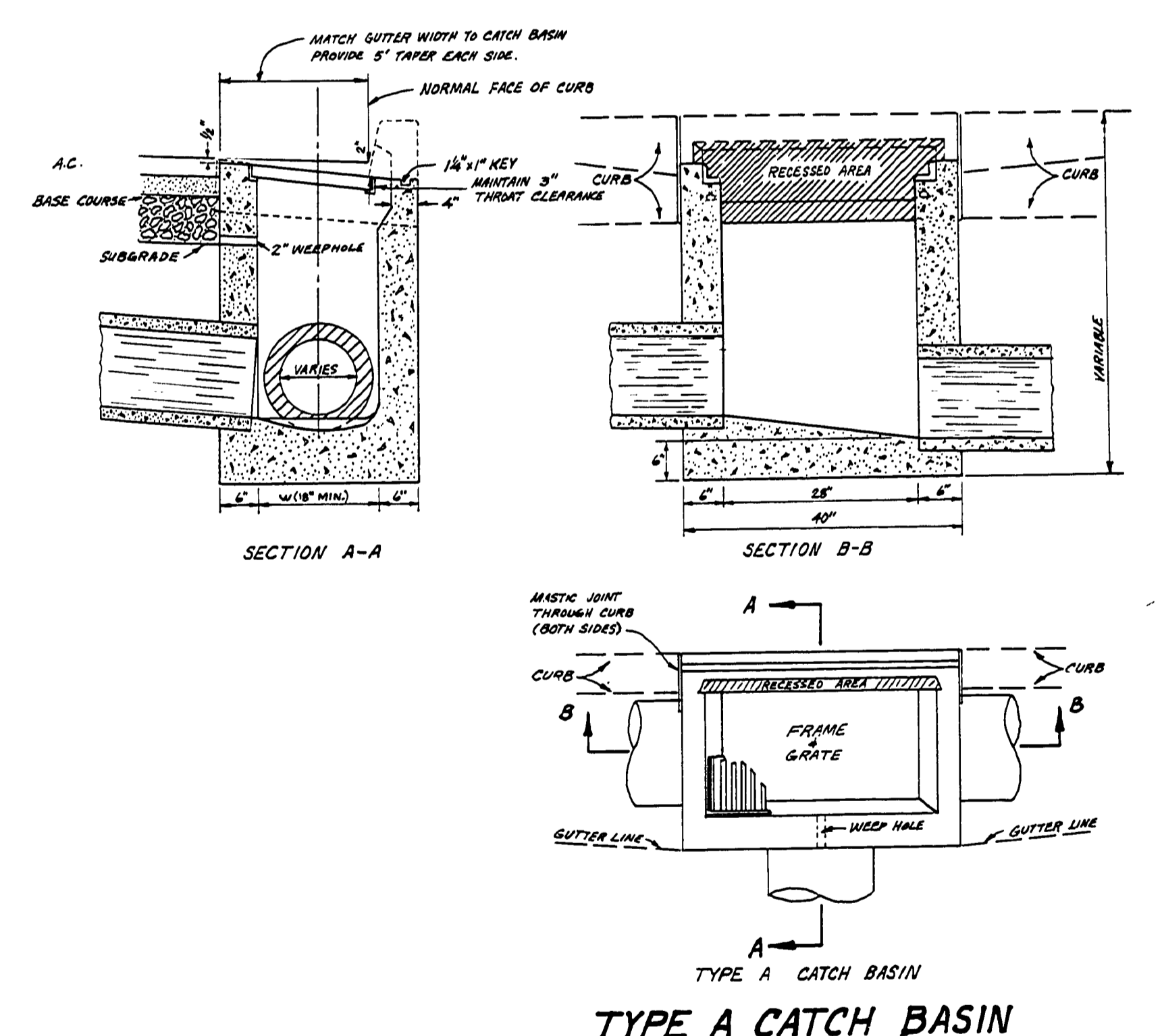


- NOTES:**
- GENERAL:**
1. THE CONTRACTOR SHALL LOCATE AND PROTECT ALL EXISTING UNDERGROUND UTILITIES. THE CONTRACTOR SHALL CONTACT AND COORDINATE WITH PACIFIC POWER & LIGHT AND PACIFIC NORTHWEST BELL TELEPHONE COMPANIES TO PROVIDE UNDERGROUND SERVICE TO THE SUBDIVISION.
  2. WATER AND SEWER PIPE SHALL BE INSTALLED IN ACCORDANCE WITH REGULATIONS AND SPECIFICATIONS OF THE AGENCY GOVERNING THE INSTALLATION.
- STREETS & STORM SEWERS**
1. ALL WORK SHALL BE IN CONFORMANCE WITH DOUGLAS COUNTY PUBLIC WORKS DEPT. STANDARD SPECIFICATIONS, UNLESS OTHERWISE NOTED.
  2. STREET SUBGRADE AND BASE SHALL BE COMPACTED TO 95% RELATIVE COMPACTION. UNSTABLE OR UNSUITABLE MATERIAL SHALL BE REMOVED AND REPLACED WITH SUITABLE SELECTED MATERIAL.
  3. CONCRETE SHALL BE CLASS 5 (1/2" MAX. AGGREGATE SIZE) WITH 4.5 BAGS CEMENT PER CUBIC YARD OF CONCRETE, WITH A MINIMUM COMPRESSIVE STRENGTH OF NOT LESS THAN 3,500 PSI AT 28 DAYS WHEN TESTED IN ACCORDANCE WITH ASTM C-39-66.
- SANITARY SEWERS**
1. ALL WORK SHALL BE IN CONFORMANCE WITH NORTH ROSEBURG SANITARY DISTRICT STANDARD SPECIFICATIONS, DETAILS AND ORDINANCES.
  2. SANITARY SEWER PIPE SHALL BE A.S.T.M. C-426, TYPE II, CLASS 2400 ASBESTOS CEMENT.
  3. SANITARY SEWERS SHALL BE AIR OR EXFILTRATION TESTED IN ACCORDANCE WITH STANDARD SPECIFICATIONS, AFTER COMPACTION OF BACKFILL.
  4. TRENCH BACKFILL SHALL BE CLASS "B" (BANK RUN GRAVEL PASSING 3" SCREEN) UNDER ALL STREETS. CURB-TO-CURB AND CLASS "A" (SUITABLE EXCAVATED MATERIAL) ELSEWHERE. ALL TRENCHES WILL BE WATER-BEETLED.
  5. CONCRETE SHALL BE CLASS 5 (1/2" MAX. AGGREGATE SIZE) WITH 4.5 BAGS CEMENT PER CUBIC YARD OF CONCRETE, WITH A MINIMUM COMPRESSIVE STRENGTH OF 3,500 PSI AT 28 DAYS WHEN TESTED IN ACCORDANCE WITH ASTM C-39-66.
  6. WHENEVER A CROSSING SEWER LINE IS LESS THAN 18" LOWER THAN A WATER LINE, THE SEWER LINE SHALL BE DUCTILE IRON PIPE 9" EACH SIDE OF THE WATER LINE.
- WATER SYSTEM**
1. WATER SYSTEM SHALL BE CONSTRUCTED IN ACCORDANCE WITH STANDARDS, SPECIFICATIONS AND DETAILS OF THE CITY OF ROSEBURG WATER DEPARTMENT.
  2. THE CONTRACTOR SHALL COORDINATE ALL WORK WITH THE CITY OF ROSEBURG.



**INDEX:**

TITLE:  
 INDEX, LAYOUT & GENERAL  
 STREET & STORM SEWER DETAILS  
 SANITARY SEWER SYSTEM

SHEET NO.  
 1  
 2  
 3

**APPROVED**  
 By: [Signature] Date: 2-4-81  
 DOUGLAS COUNTY PUBLIC WORKS DEPT.

As-Built 11-5-86 [Signature]

**INDEX, LAYOUT & GENERAL**

FIRST ADDITION TO SADDLE BUTTE ESTATES

ENGINEERING & SURVEYING  
 1205 S.E. COURT  
 ROSEBURG, OR. 97470  
 TEL. 673-065

DATE: 9/80  
 DRAWN BY: MLR  
 CHECKED BY: DS  
 JOB NO:  
 SHEET NO. 1 OF 3 SHEETS

ROAD 335J