

EX. GATE VALVE (LOC. APPROX)

TBM-ELEV 504.77 FT. TOP OF 5/8" REBAR AT SW CORNER OF LOT 4, BLOCK 1, 1ST ADD. TO CLEARVIEW ESTATES

EX. 6" DIP WATERLINE
0+38 @ 0+00 EX. FIRE HYDRANT & 6"x6"x6" TEE W/BLIND FLANGE EAST (FIELD VERIFY)
SEE DETAIL SH. 2

1+65 @ 16' LT. 1+41 INSTALL CATCH BASIN SEE STD DWG. #S-29

2+00 @ 1+68 INSTALL 6" 45° ELBOW & THRUST BLOCKING

0+38 @ 0+00 EX. CB (TYP.)
1+35 @ 1+00 1+35 @ 16' RT. 0+95 INSTALL CATCH BASIN SEE STD DWG. #S-29

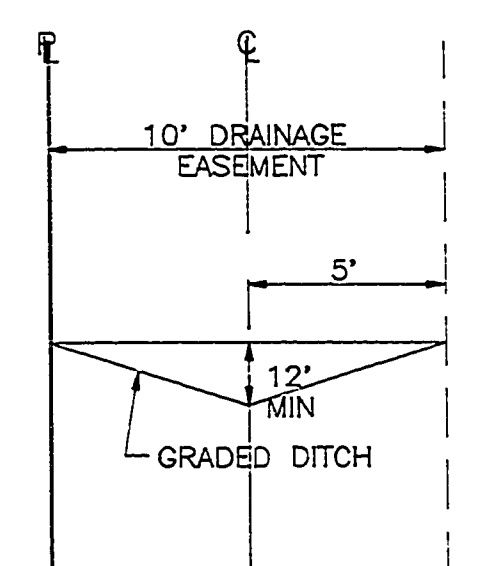
1+35 @ 0+95 21' RT. INSTALL CATCH BASIN. SEE STD. DWG #S-28a

3+00 @ 3.5' LT. 2+85 INSTALL 6"x6"x6" TEE & THRUST BLOCKING

INSTALL WATER SERVICE & METER (TYPICAL)
2+77 @ 14' LT. 2+59 INSTALL 6" 45° ELBOW & THRUST BLOCKING

3+04 @ 26' LT. 2+85 22' LT. INSTALL FIRE HYDRANT, 6" GATE VALVE & THRUST BLOCKING

DITCH GRADING DETAIL NTS



SCALE: 1"=30'
0' 30' 60' 90'

FILED
Date: 12-3-97 By: J.P.
This survey consists of:
Map:
Narrative:
Corner Pts:
DOUGLAS COUNTY SURVEYOR

STATIONING 8/29/94

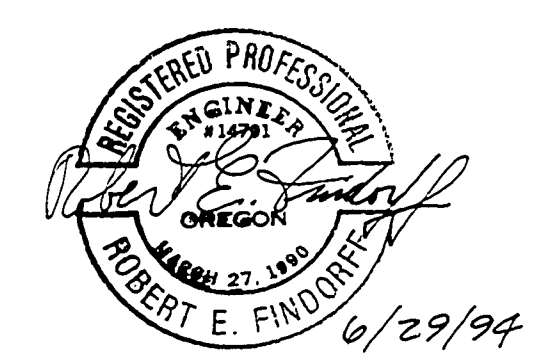
REVISIONS

DATE: 6/21/94

DRAWN: T.F.J.	CHECKED: R.L.F.
---------------	-----------------

KEELER COURT
STORM SEWER & WATER
PLAN AND PROFILE

Geomax
OF OREGON, INC.
ENGINEERING, LAND SURVEYING, BUILDING DESIGN
905 N. NINTH STREET COTTAGE GROVE, OREGON 97424
TELEPHONE: (503) 942-0126 FAX: (503) 942-7655



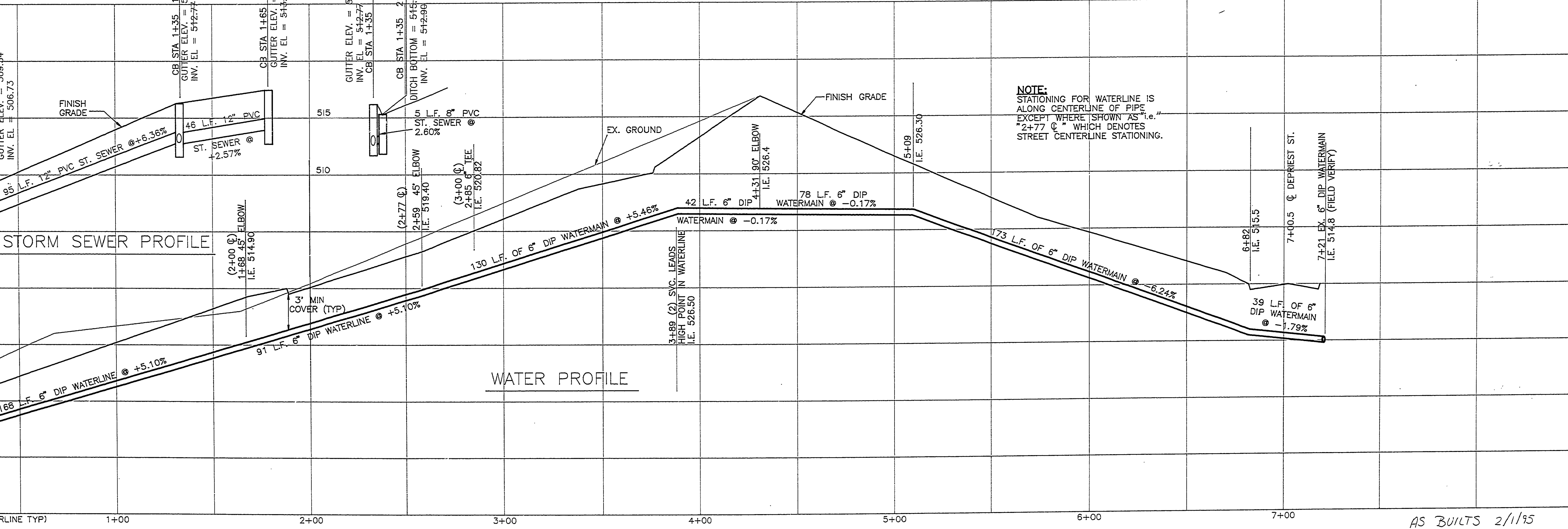
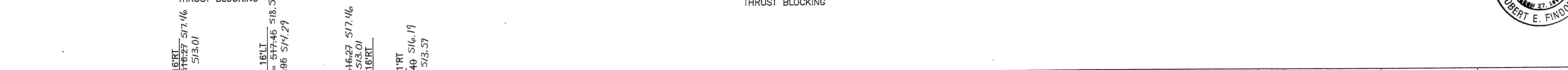
FIELD VERIFY LOCATION OF EX. WATERMAIN

EX. GATE VALVE
7+21 INSTALL 6"x6"x6" TEE, GATE VALVE & THRUST BLOCKING

4+31 INSTALL 6" 90° ELBOW & THRUST BLOCKING

WATER SERVICES

1+64	1" PVC 5' LT. (2) 3/4" METERS
2+51	1" PVC 17' LT. (2) 3/4" METERS
2+90	3/4" PVC 27' LT. (1) 3/4" METER
3+11	1" PVC 43' RT. (2) 3/4" METER
3+89	3/4" PVC 3' RT. (1) 3/4" METER
3+89	3/4" PVC 3' LT. (1) 3/4" METER



AS BUILTS 2/1/95

RD 307ASW

CO. RD. NO. 307-A

SHT. OF	3
JOB NO.	94087

CURRIECO TRACTS
PARCEL 2, L.P. 1994-0045 & PARCEL 3,
L.P. 1994-0045, DOUGLAS COUNTY, OR
RD307ASW