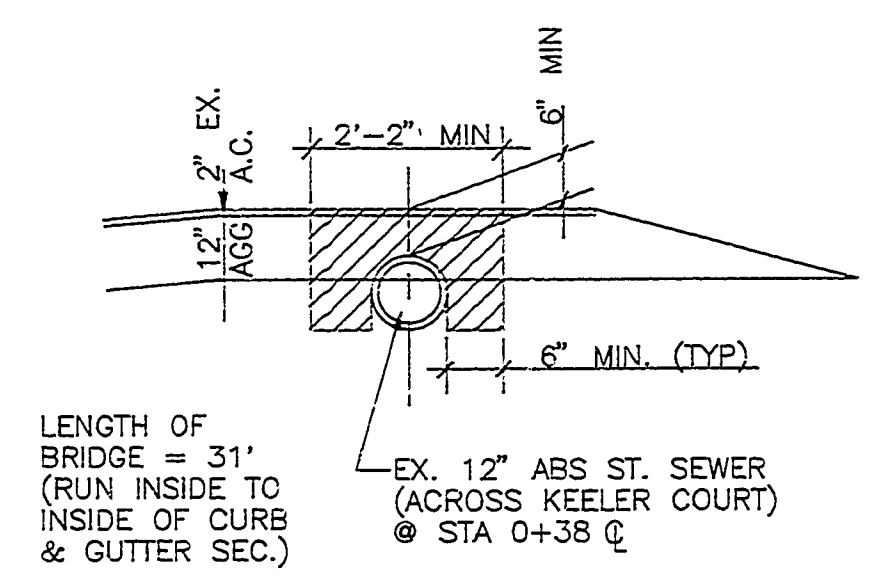
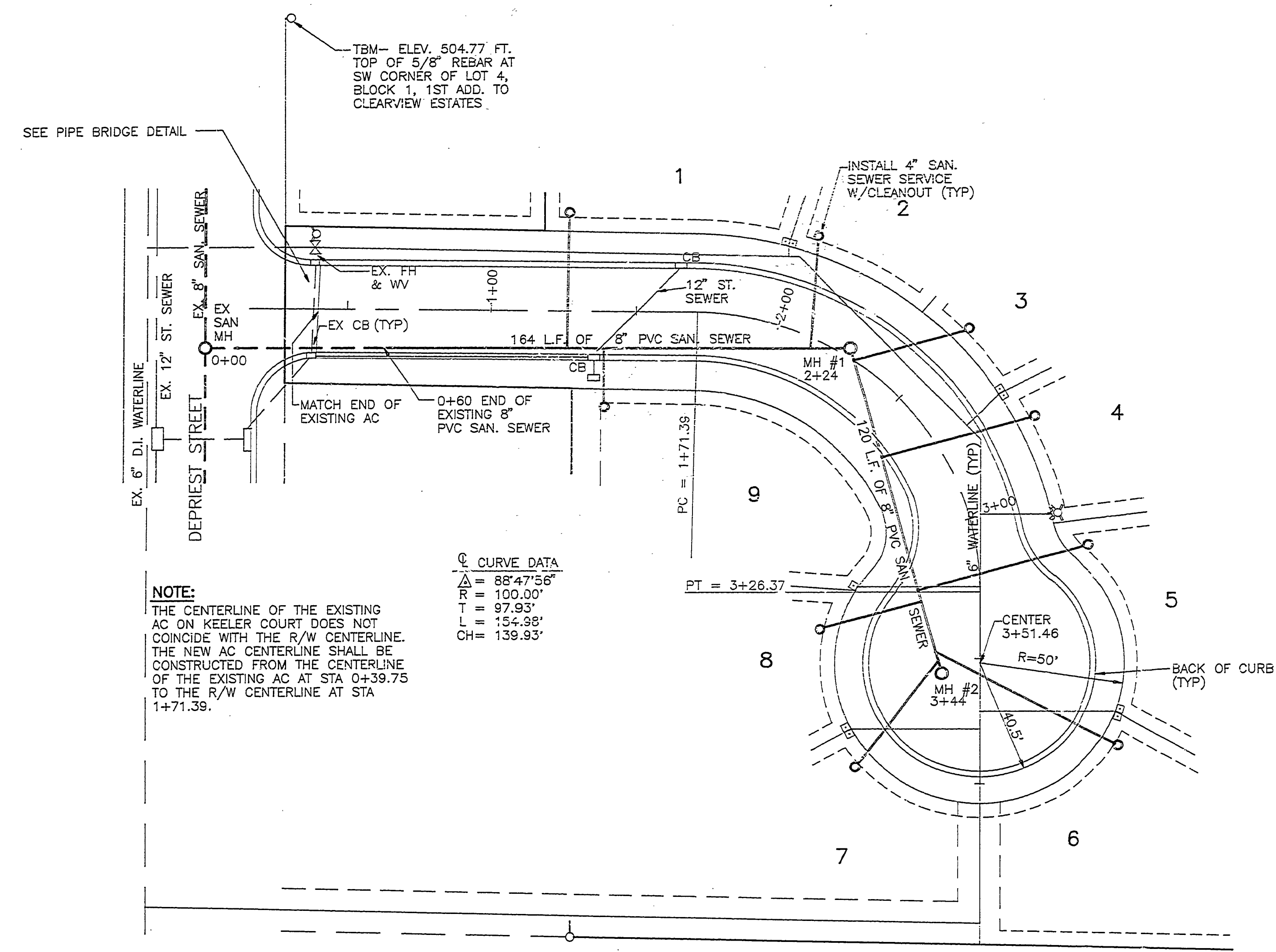
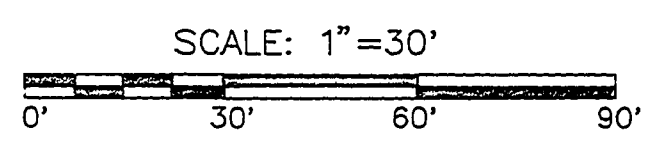


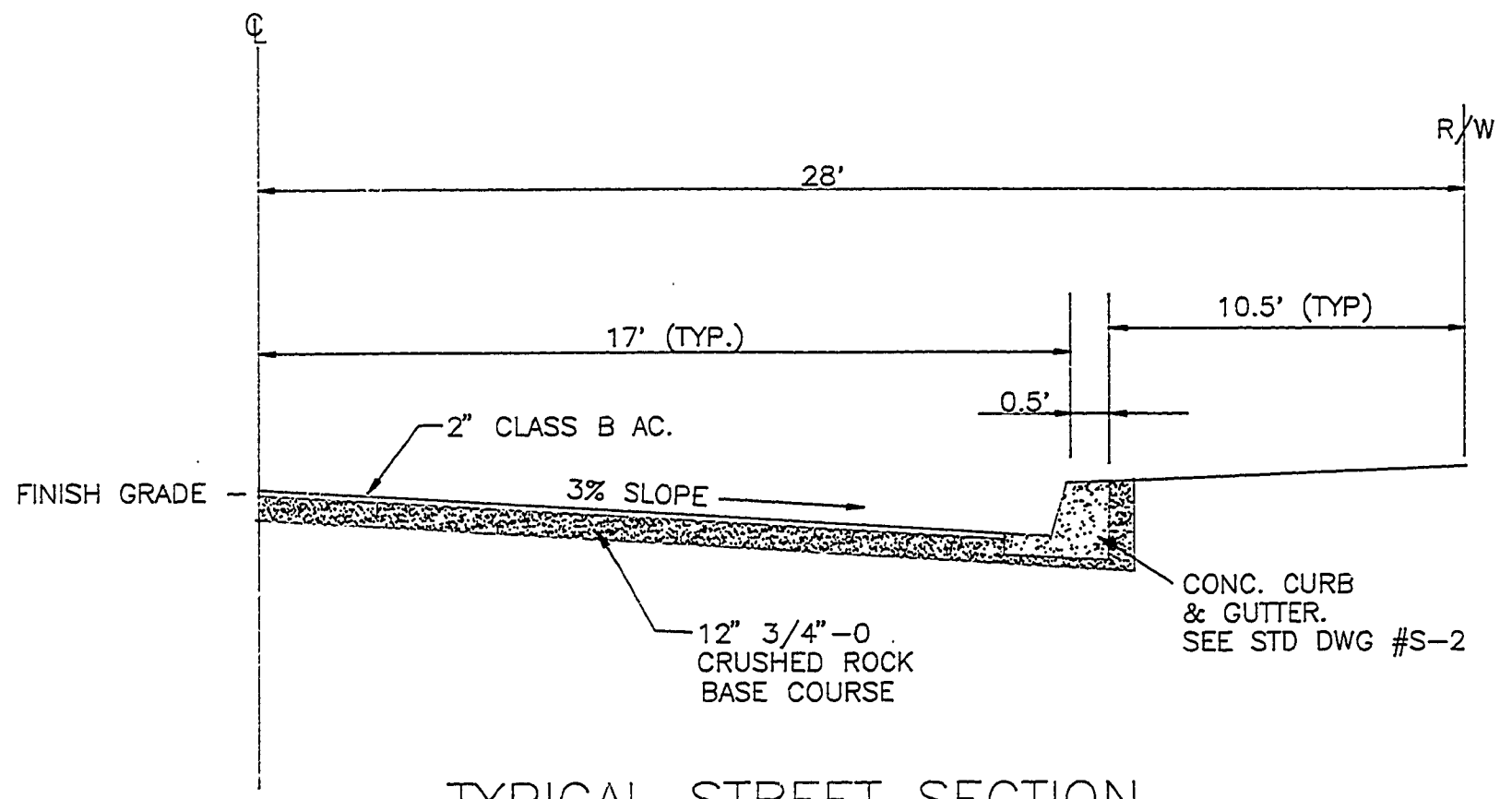
FILED
 Date: 12-3-97 By: J.P.
 This survey consists of:
 Map:
 Narrative:
 Corner Ppt:
 DOUGLAS COUNTY
 SURVEYOR



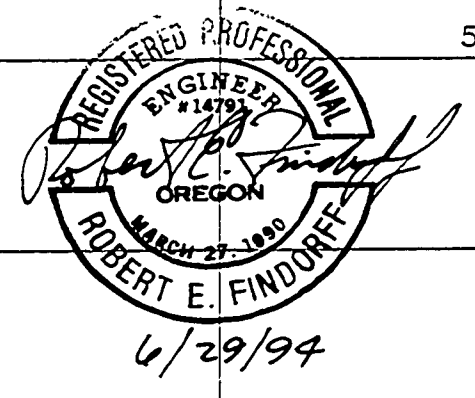
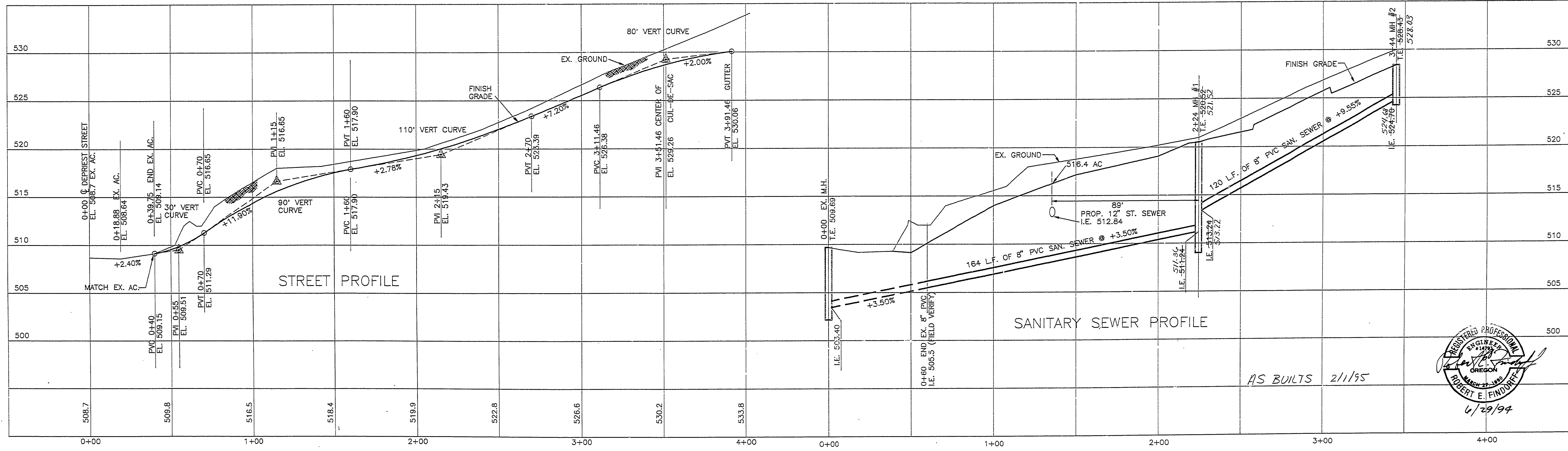
PIPE BRIDGE SECTION DETAIL
 NO SCALE

INSTALL 4" PVC SAN. SEWER SERVICES W/CLEANOUT

1+26	LT	49	L.F.
1+39	RT	21	L.F.
2+10	LT	40	L.F.
2+29	LT	41	L.F.
2+64	LT	55	L.F.
3+14	LT	61	L.F.
3+18	RT	36	L.F.
3+36	LT	71	L.F.
3+40	RT	47	L.F.



TYPICAL STREET SECTION
 NO SCALE



REVISIONS: 6/27/94 SAN. SEWER
 DATE: 6/21/94
 DRAWN: T.F.J. CHECKED: R.E.F.
 KEELER COURT
 STREET & SANITARY SEWER
 PLAN AND PROFILE
Geomax
 OF OREGON, INC.
 ENGINEERING, LAND SURVEYING, BUILDING DESIGN
 805 N. NINTH STREET COTTAGE GROVE, OREGON 97424
 TELEPHONE: (503) 942-0126 FAX: (503) 942-7835
 CURRIECO TRACTS
 PARCEL 2, L.P. 1994-0045 & PARCEL 3,
 L.P. 1994-0045, DOUGLAS COUNTY, OR
 00000007
 94087