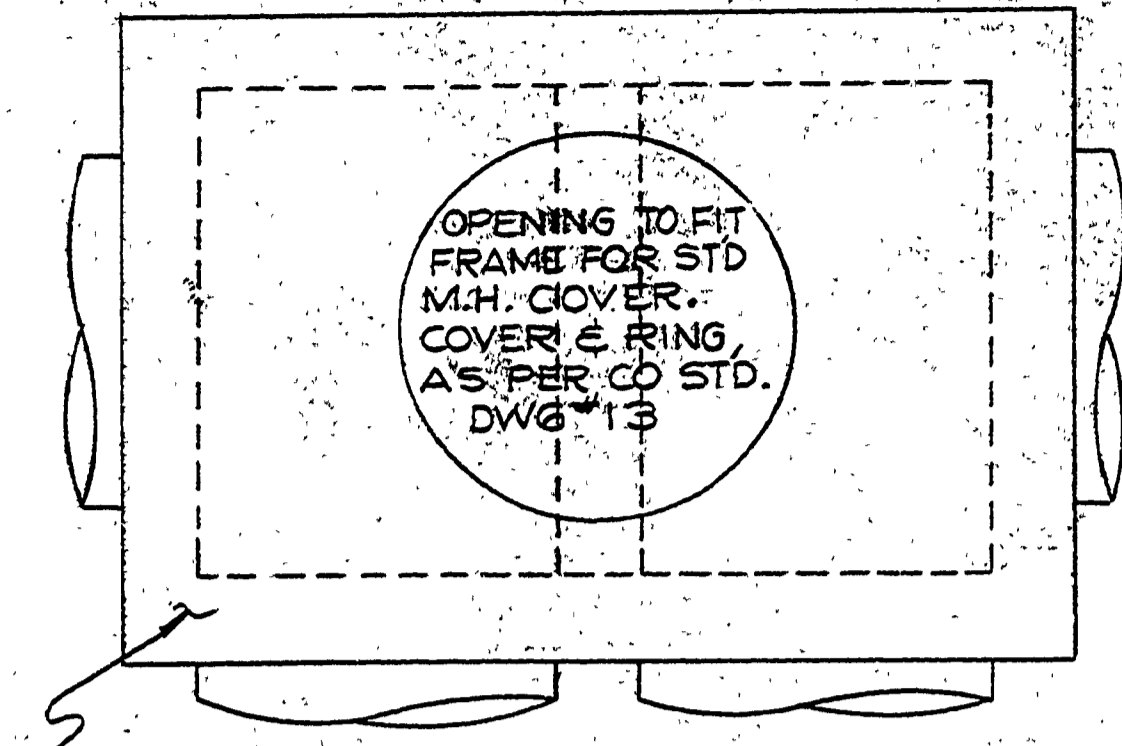


Minimum Weight
Cover 120 lbs.
Frame 155 lbs.

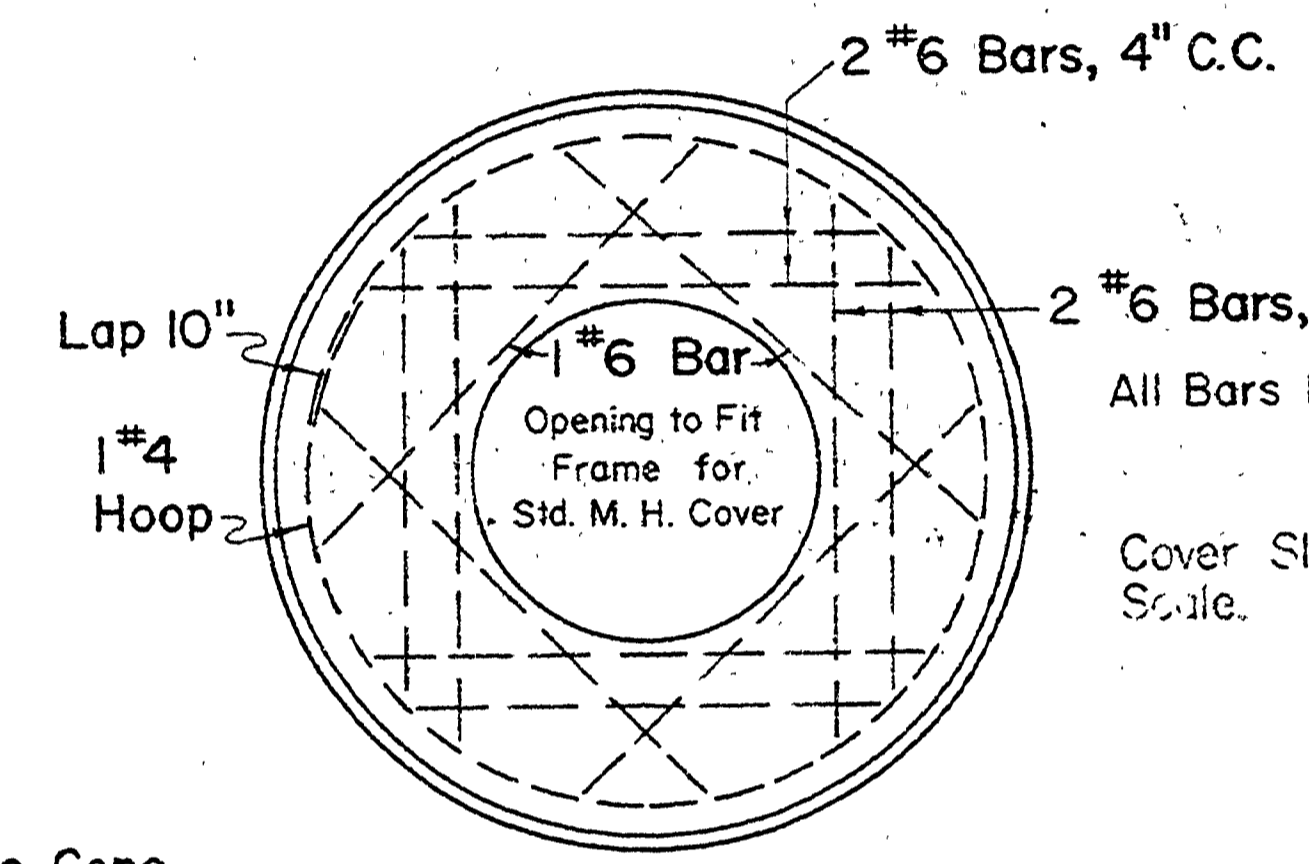
Cover & Frame to be
Machined to a True
Bearing all Around.

SECTION A-A

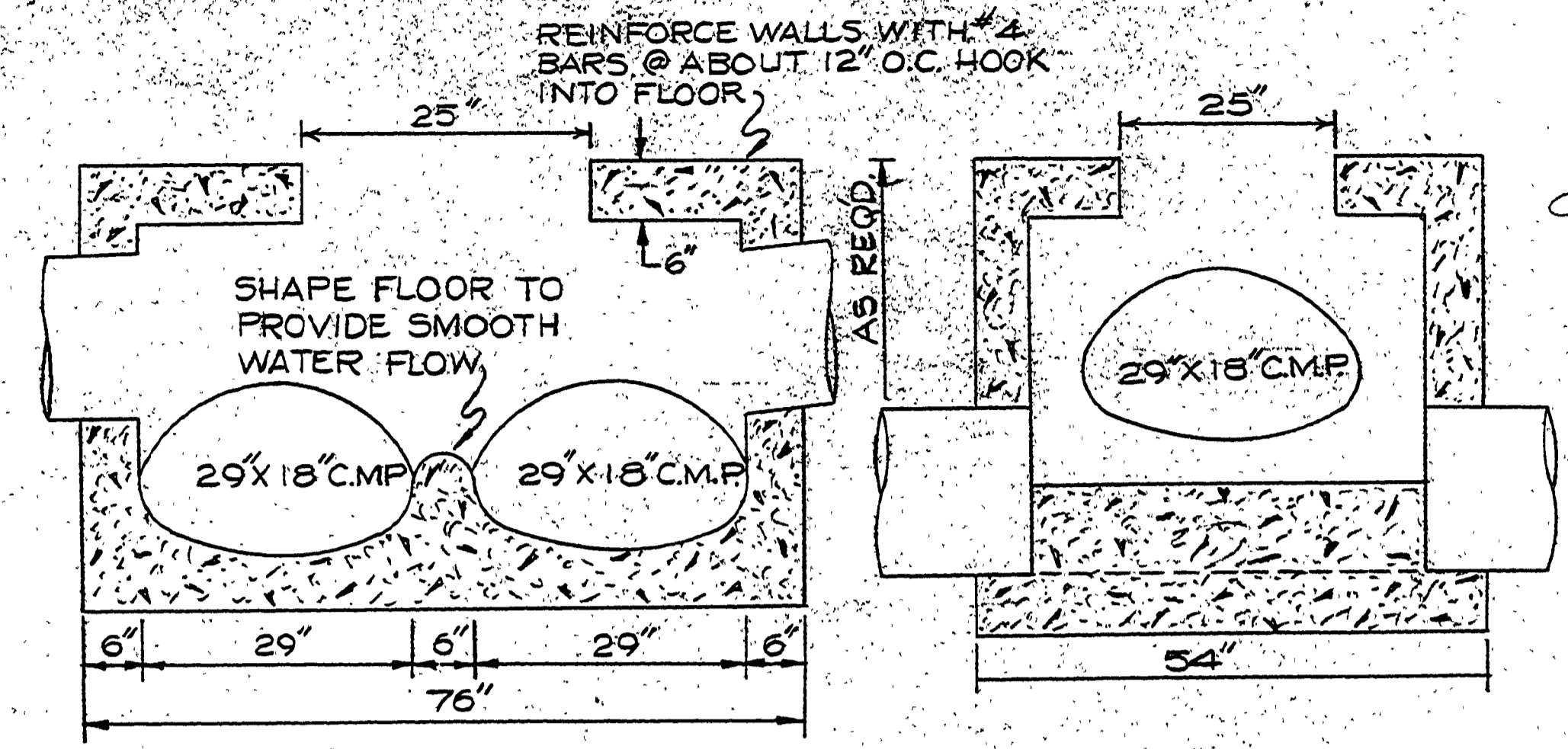
**MANHOLE RING & COVER
MANHOLE TYPE A & B**



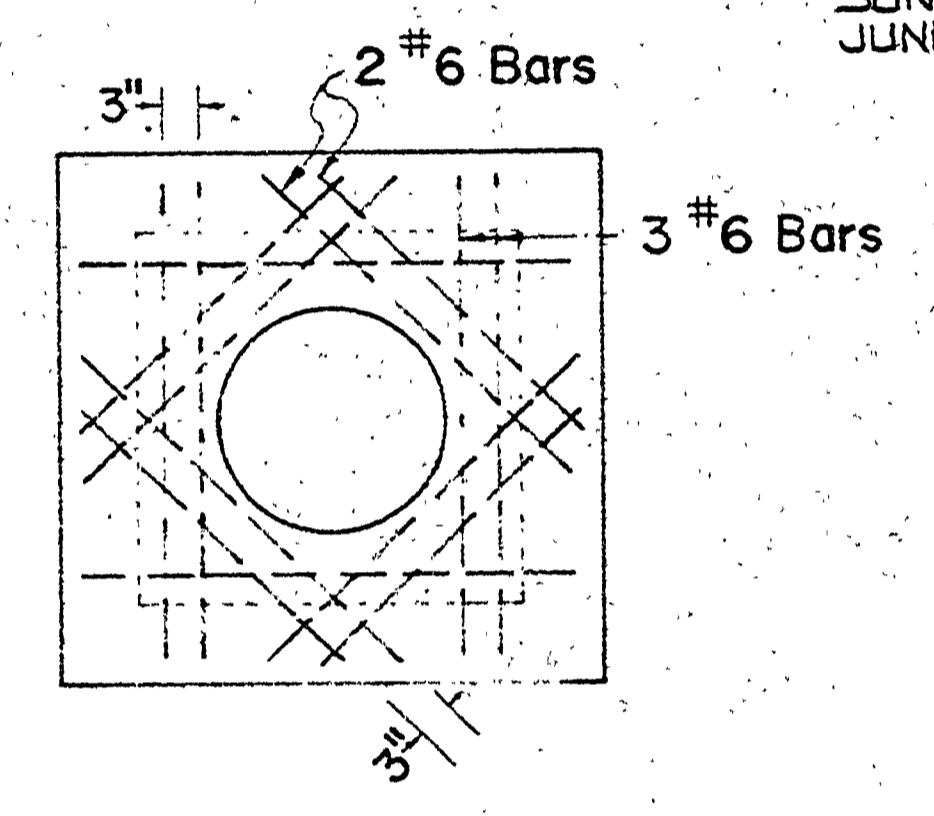
REINFORCE TOP PER CO. STD.
DWG # 3 COVER SLAB
TYPE 'B' ALTERNATE M.H.



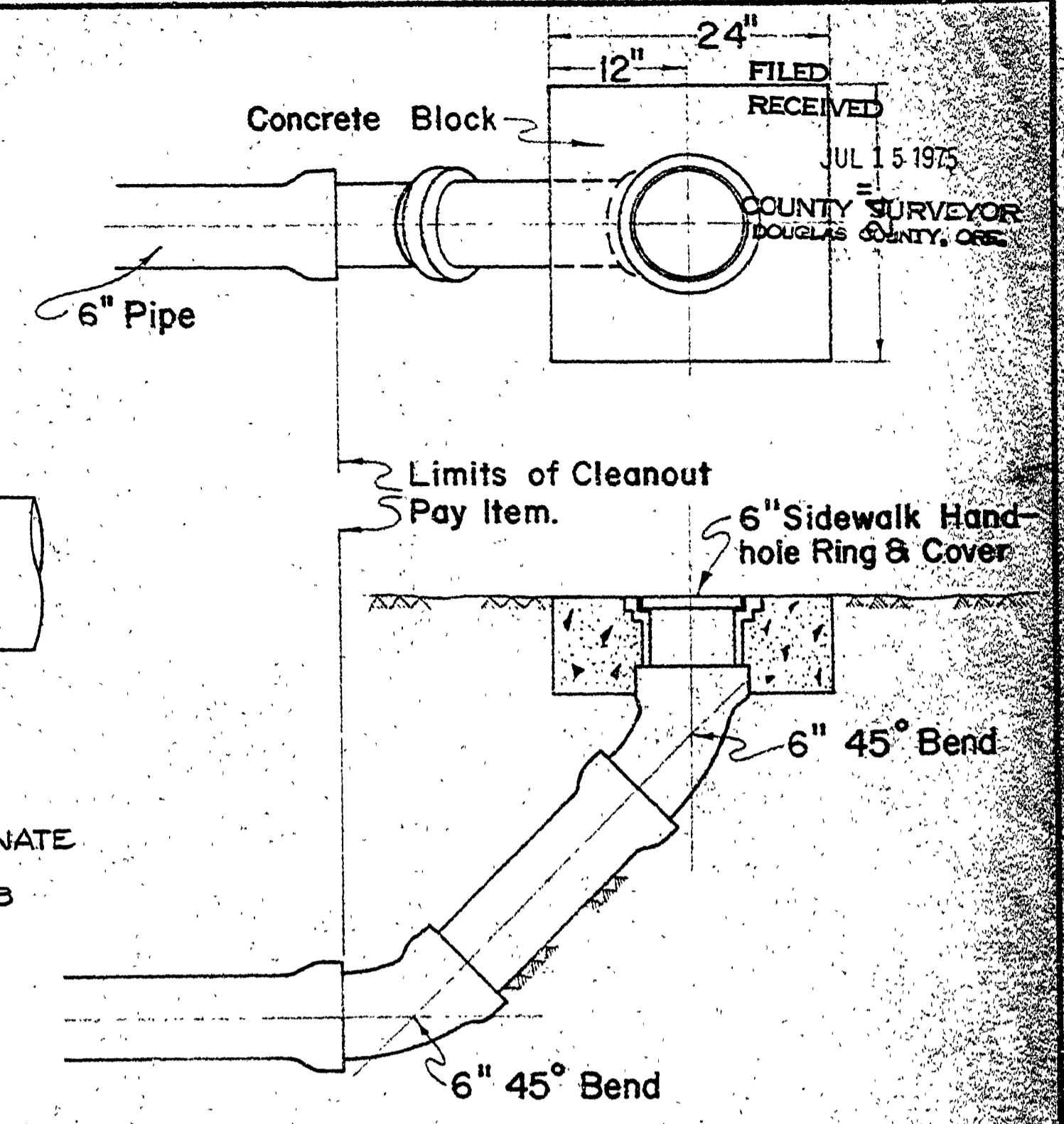
**COVER SLAB
MANHOLE TYPE B**



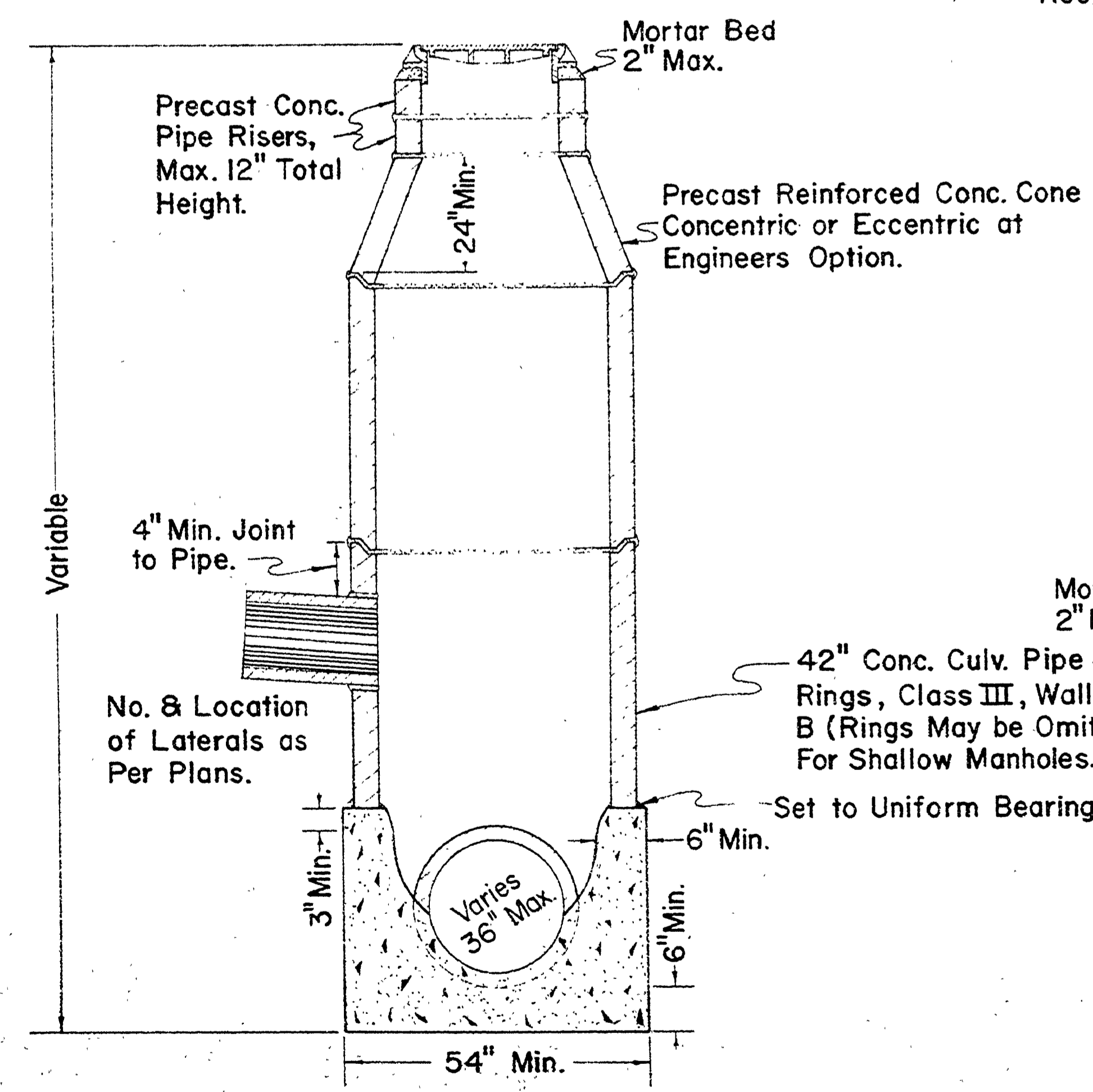
MANHOLE (TYPE 'B' ALTERNATE
MODIFIED)
SUNNYSLOPE ROAD #278
JUNE 9, 1971



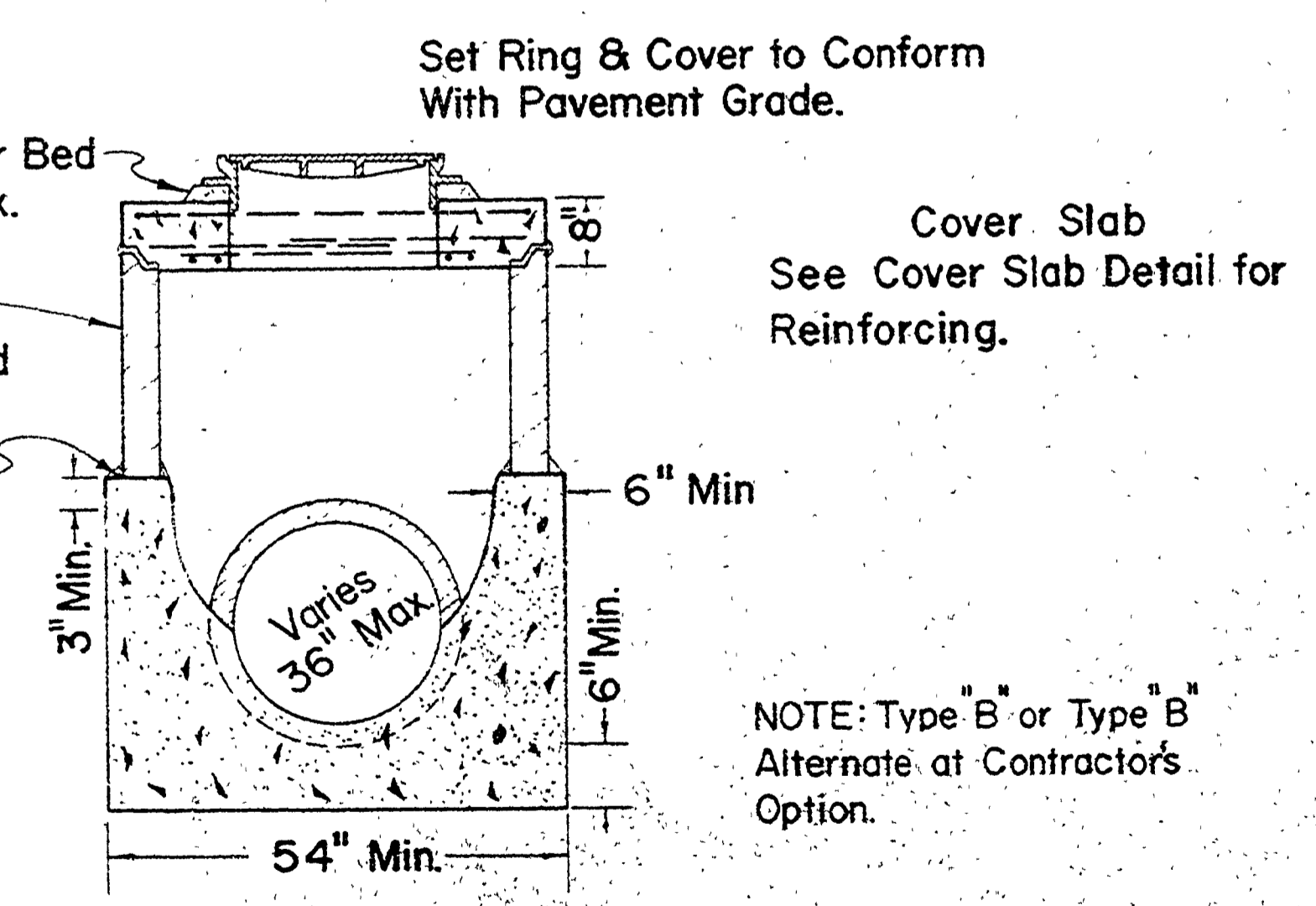
**COVER SLAB
MANHOLE TYPE "B"
ALTERNATE**



CLEANOUT DETAIL

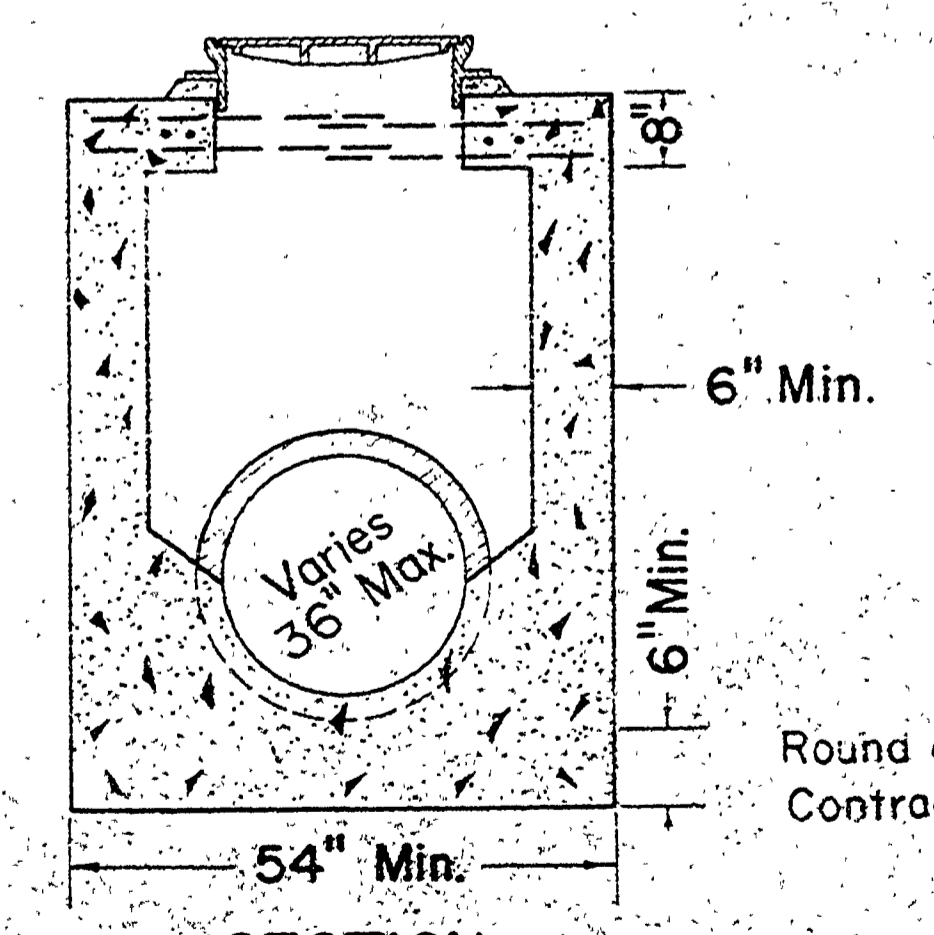


**SECTION
MANHOLE TYPE A**



**SECTION
MANHOLE TYPE B**

NOTE: Type 'B' or Type 'B'
Alternate at Contractor's
Option.



**SECTION
MANHOLE TYPE "B"
ALTERNATE**

Round or Square at
Contractor's Option.

Manhole Type "A-48" Per Type "A" Details
But Dimensioned to Accomodate Pipe Diameter
Specified.
Manhole Type "B-48" Per Type "B" Details
But Dimensioned to Accomodate Pipe Diameter
Specified.
EXAMPLE: Type "A-54" is a Type "A" Manhole of
Such Dimensions to Accomodate A 54" Diameter
Pipe.

NOT REVISED
AS CONSTRUCTED

DOUGLAS COUNTY RD. DEPT.
**MANHOLES AND
CLEANOUTS**
DATE: MAY 1969 STD DWG # 3