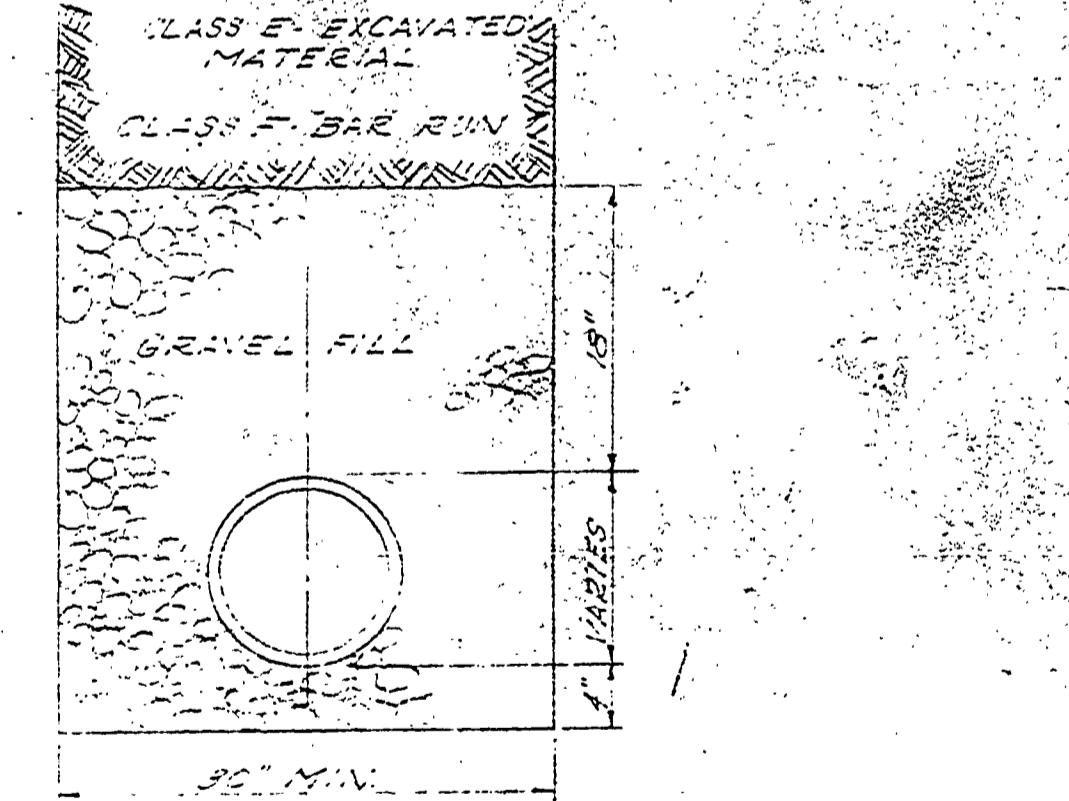
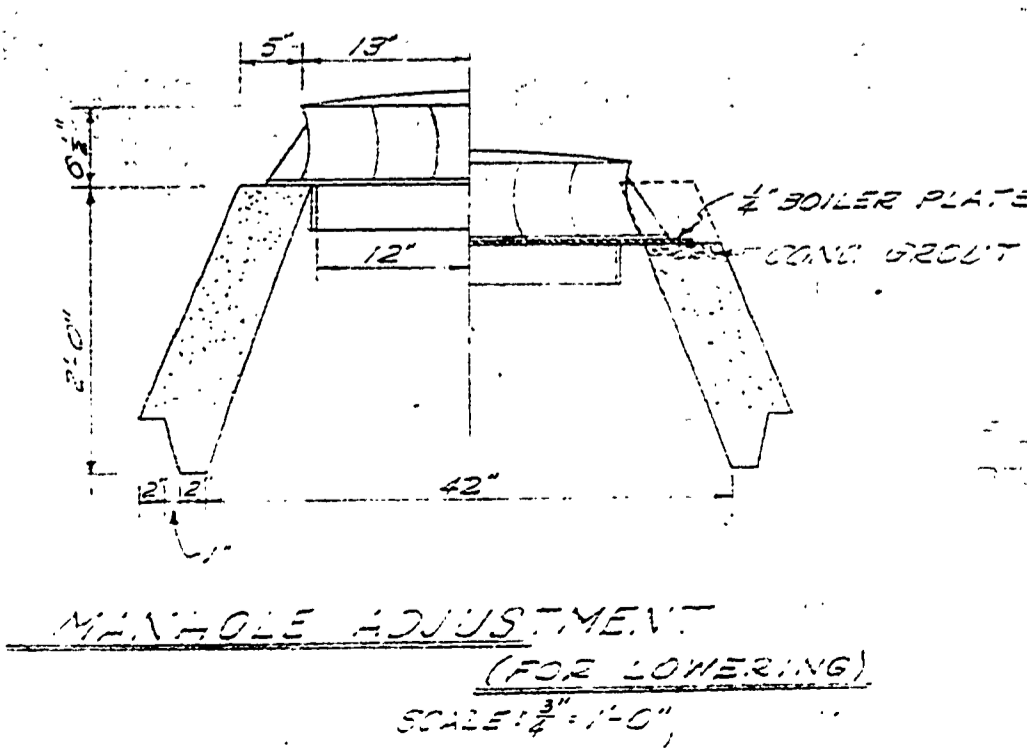
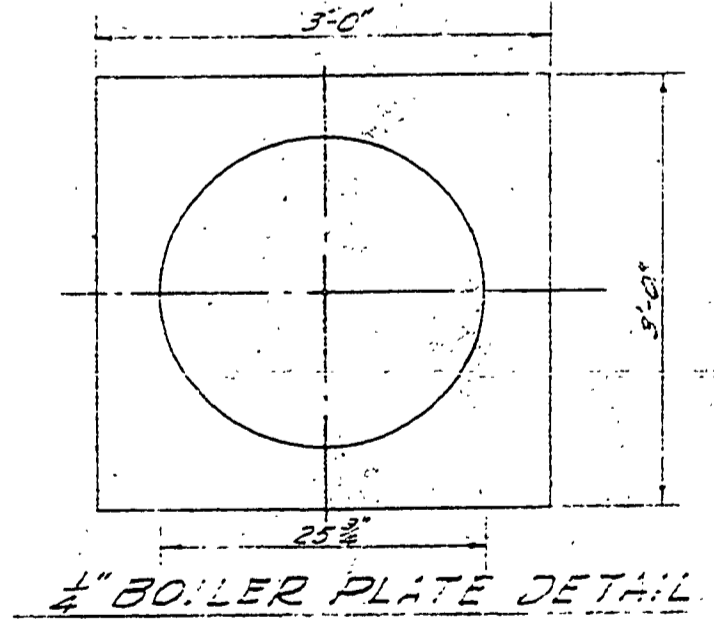
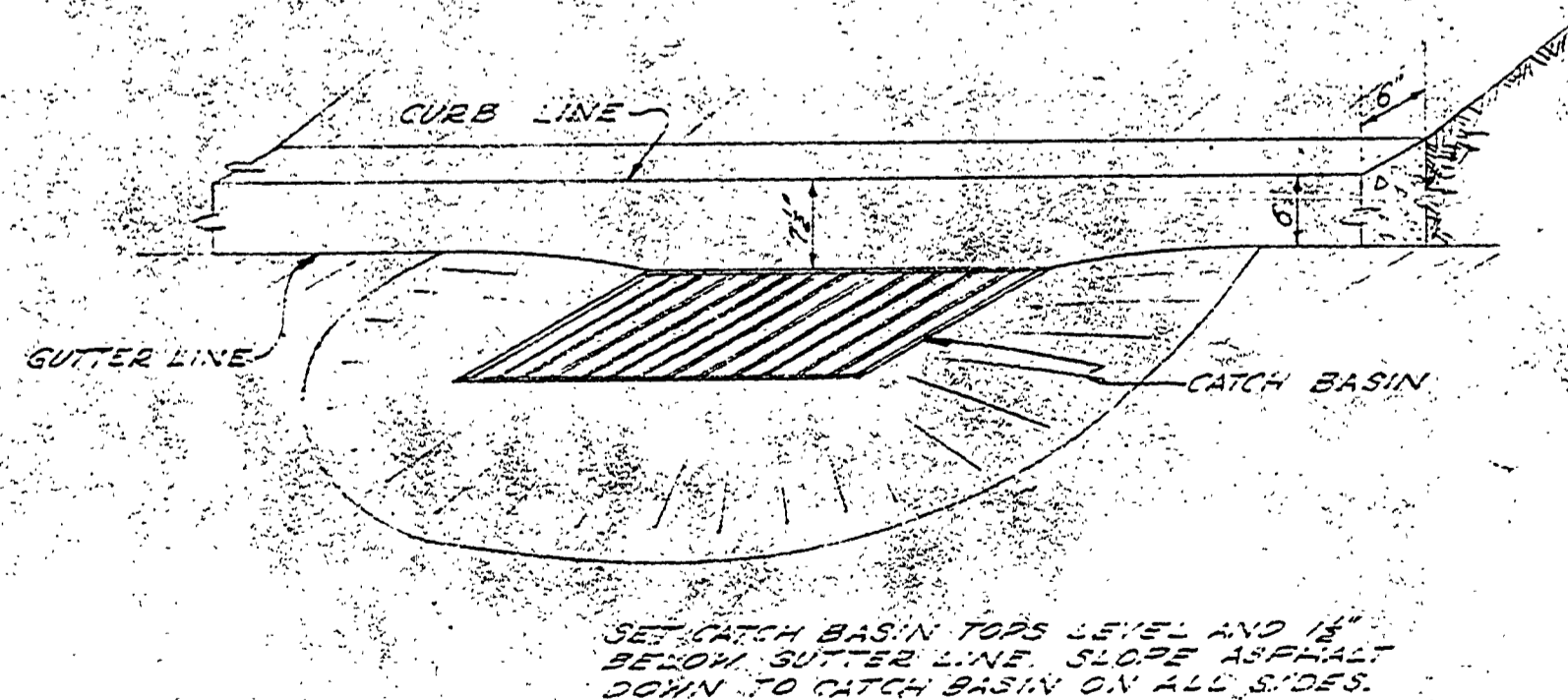


CATCH BASIN DETAILS  
SCALE: 3/4"=1'-0"

TYPICAL DRIVEWAY DETAILS



DATE	BY	CHK	APPD
GENERAL SERVICES DIVISION FEDERAL HOUSING ADMINISTRATION CLOVERDALE ADDITION - ROSEBURG, OREGON SCHEDULES P & S GENERAL DETAILS			
SCALE: AS NOTED	DATE: MARCH 25, 1957	SHEET 3 OF 4	DWG. NO.
DR. V.G.G.	CORNELL, HOWLAND, HAYES & MERRYFIELD	1957	C1371-2
CK.	CORVALLIS, OREGON	ENGINEERS	BOISE, IDAHO