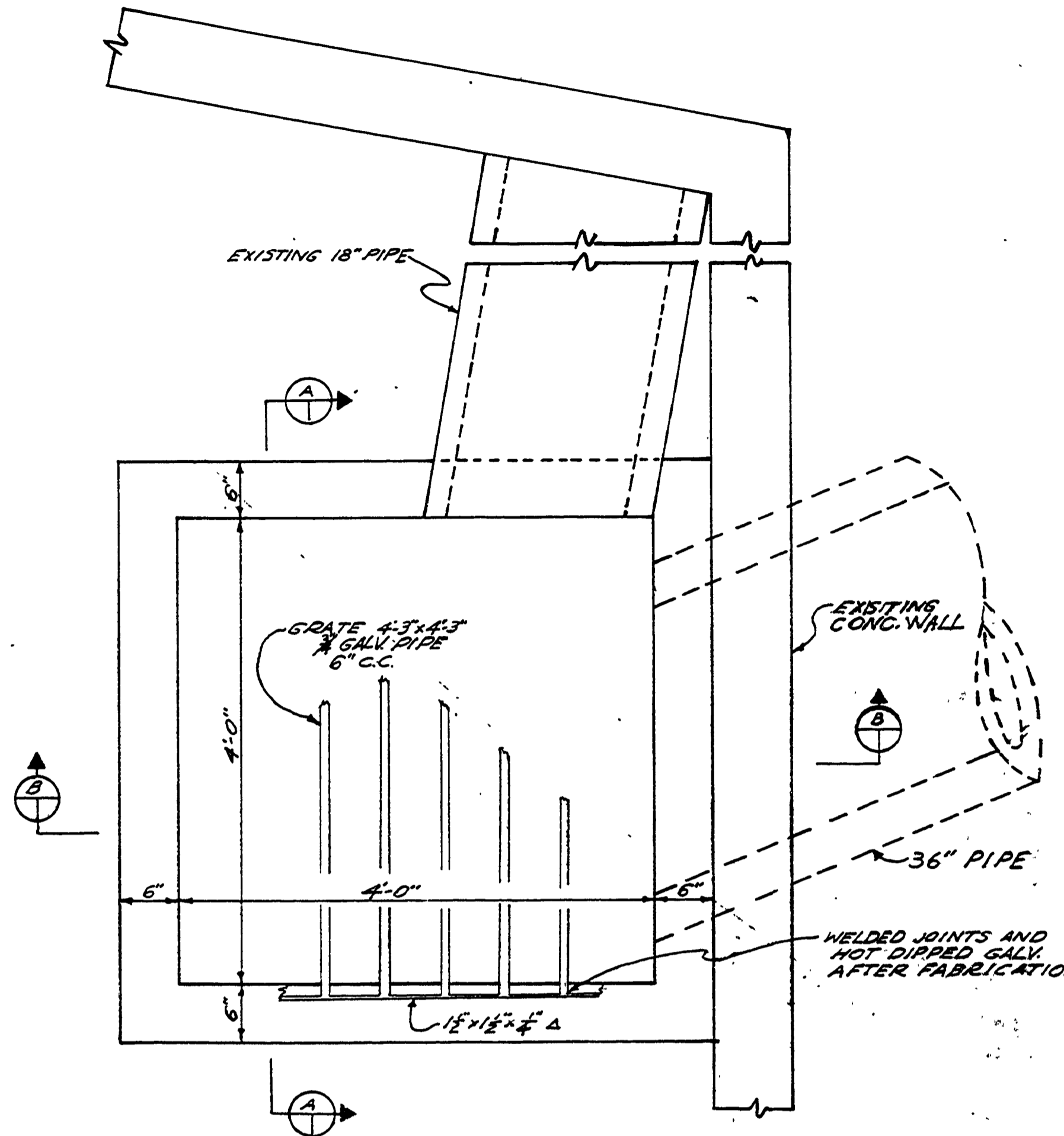
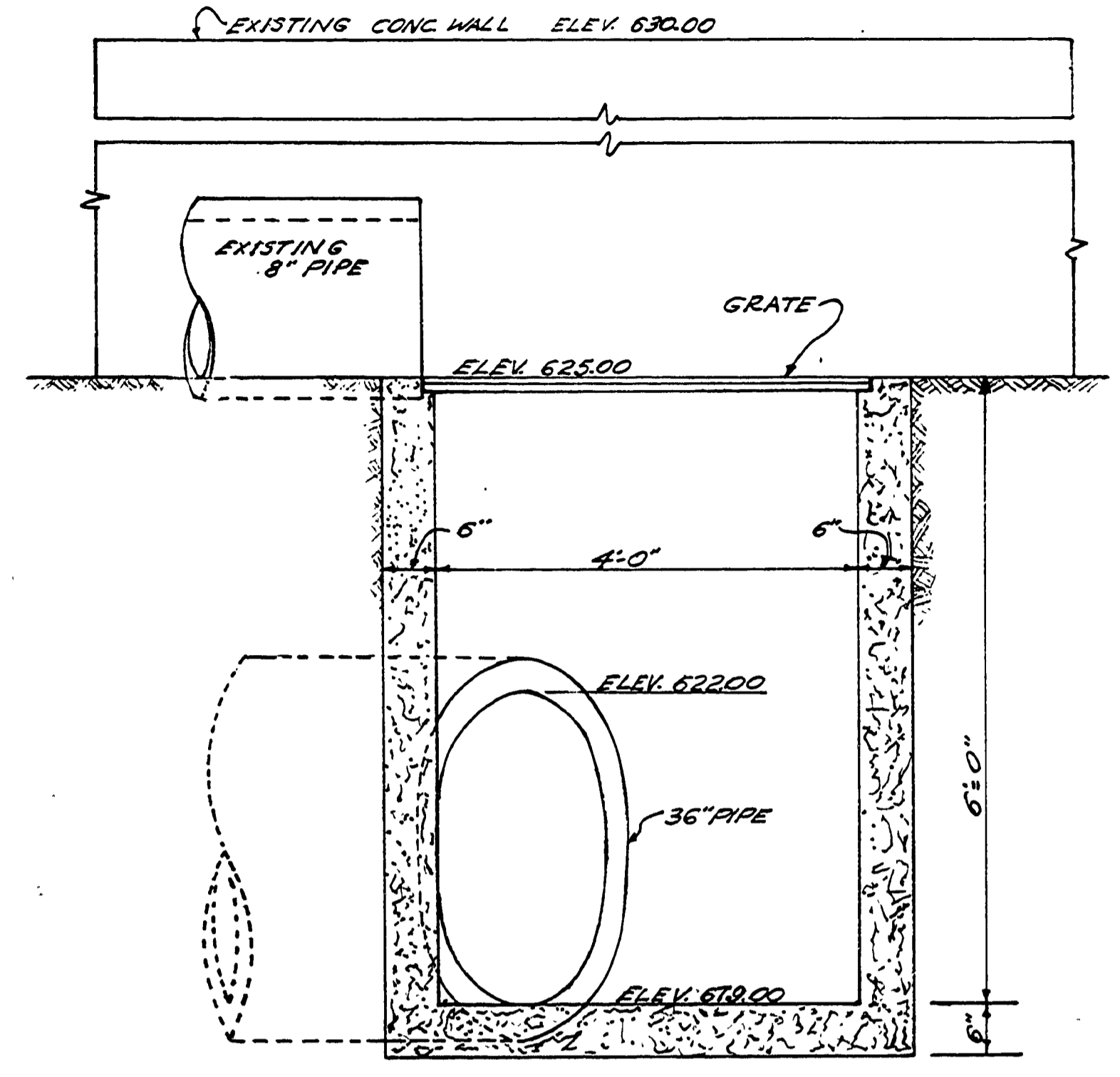


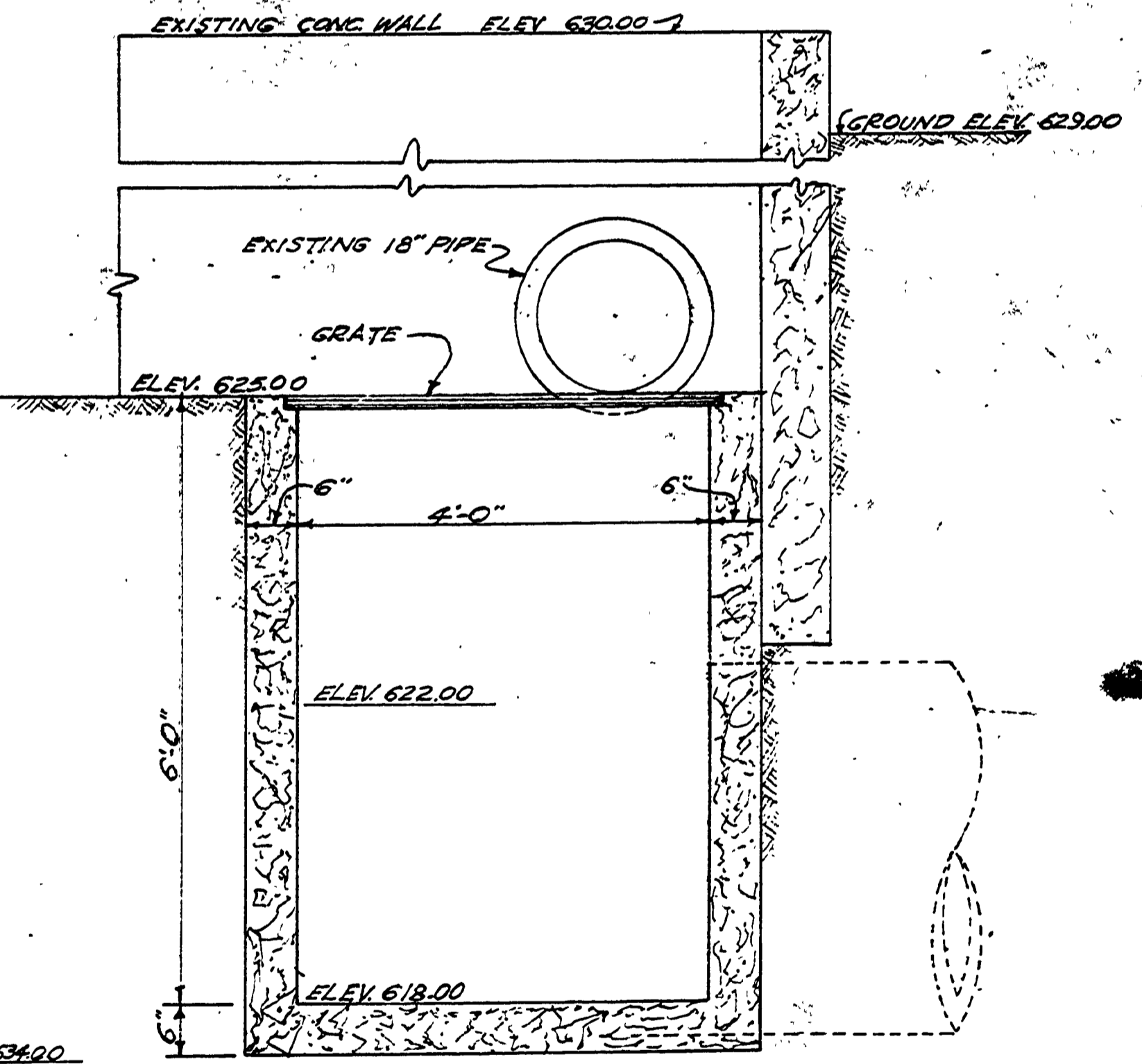
MAIN 1 OUTFALL STRUCTURE
SCALE: 1/4"=1'-0"



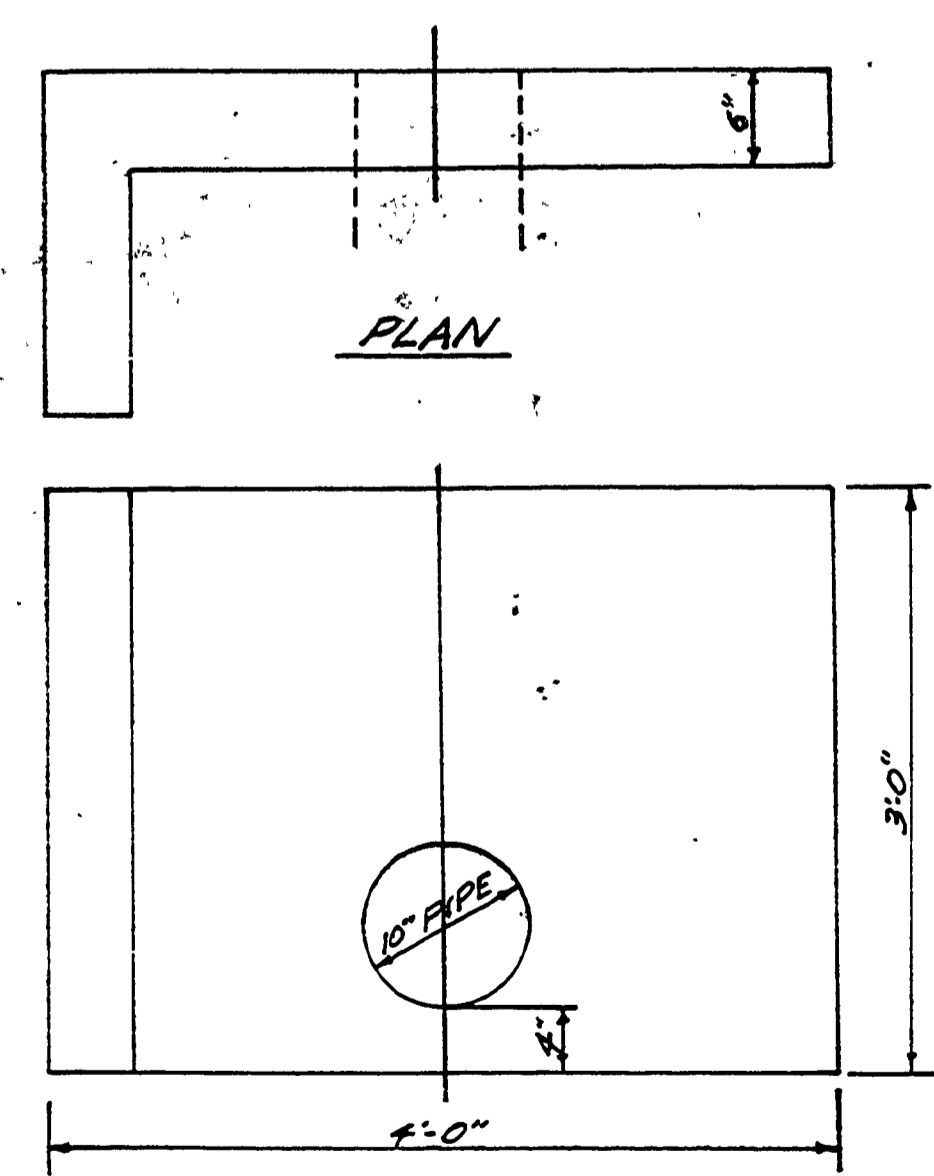
MAIN 2 INLET STRUCTURE
NOT TO SCALE



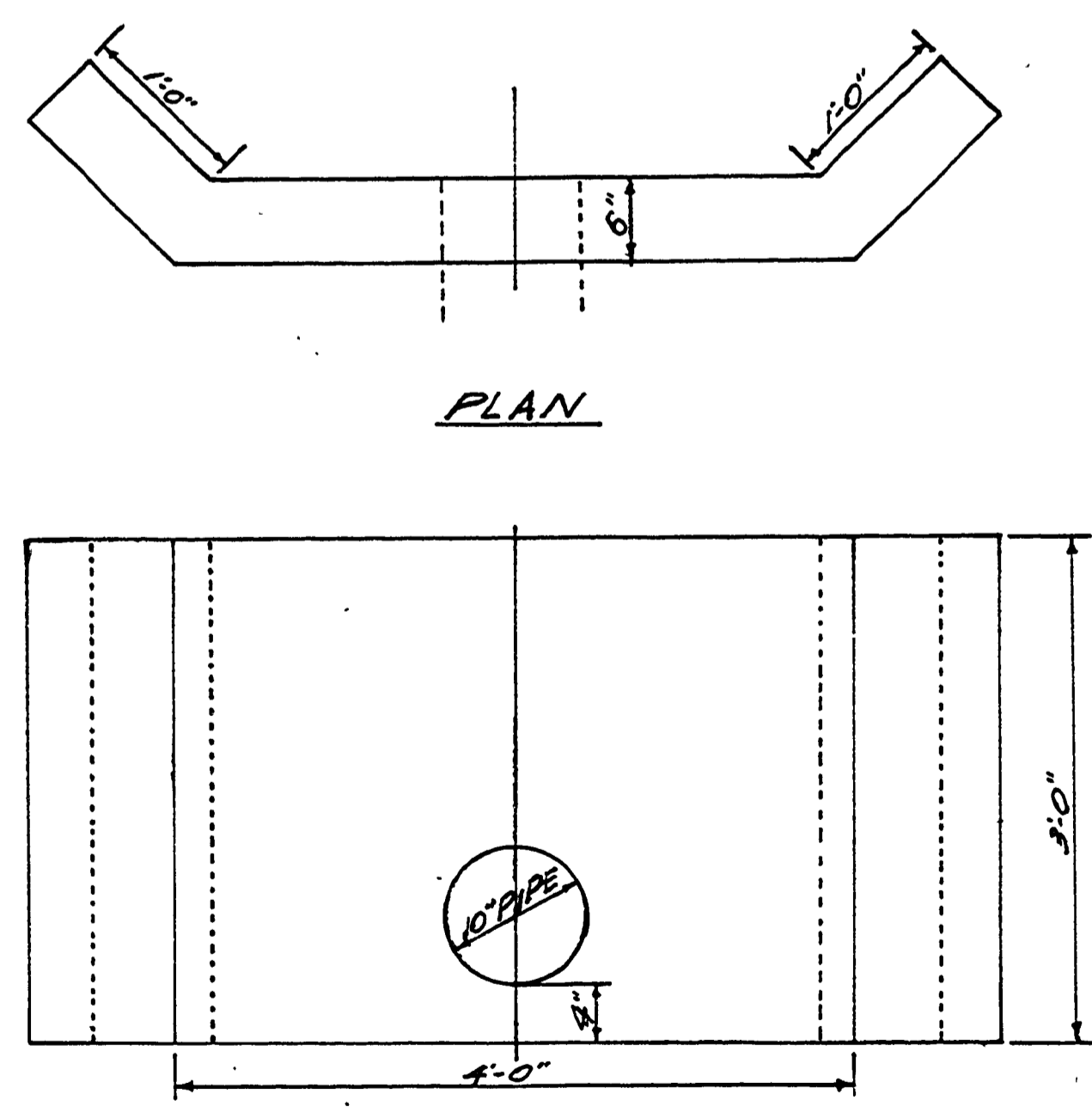
SECTION A-A
NOT TO SCALE



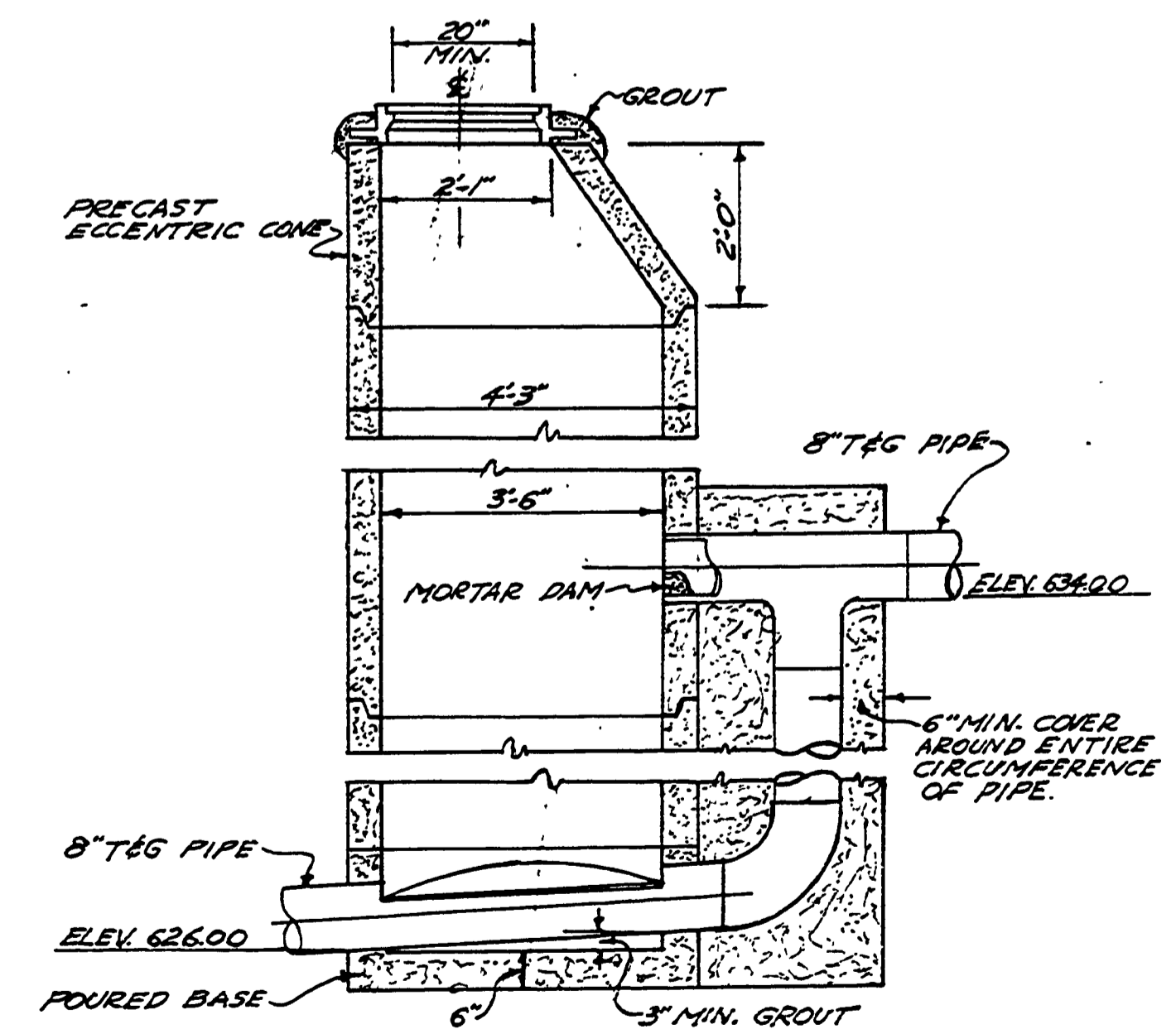
SECTION B-B
NOT TO SCALE



MAIN 3 OUTFALL STRUCTURE
SCALE 1/4"=1'-0"



MAIN 3 HEADWALL STRUCTURE
SCALE 1/4"=1'-0"



MH#B2 - DROP MANHOLE
SCALE 3/4"=1'-0"

GENERAL SERVICE DIVISION FEDERAL HOUSING ADMINISTRATION CLOVERDALE ADDITION - ROSEBURG, OREGON SCHEDULES P&S GENERAL DETAILS			
SCALE: AS NOTED	DATE: MARCH 29, 1957	SHEET 4 OF 4	DWG. NO.
DR: J.W.Z.	CORNELL, HOWLAND, HAYES & MERRYFIELD	BOISE, IDAHO	C:1371-2
OR: V.G.S.	CORVALLIS, OREGON	ENGINEERS 1957	

G. Rd # 262 Sheet 4 of 19