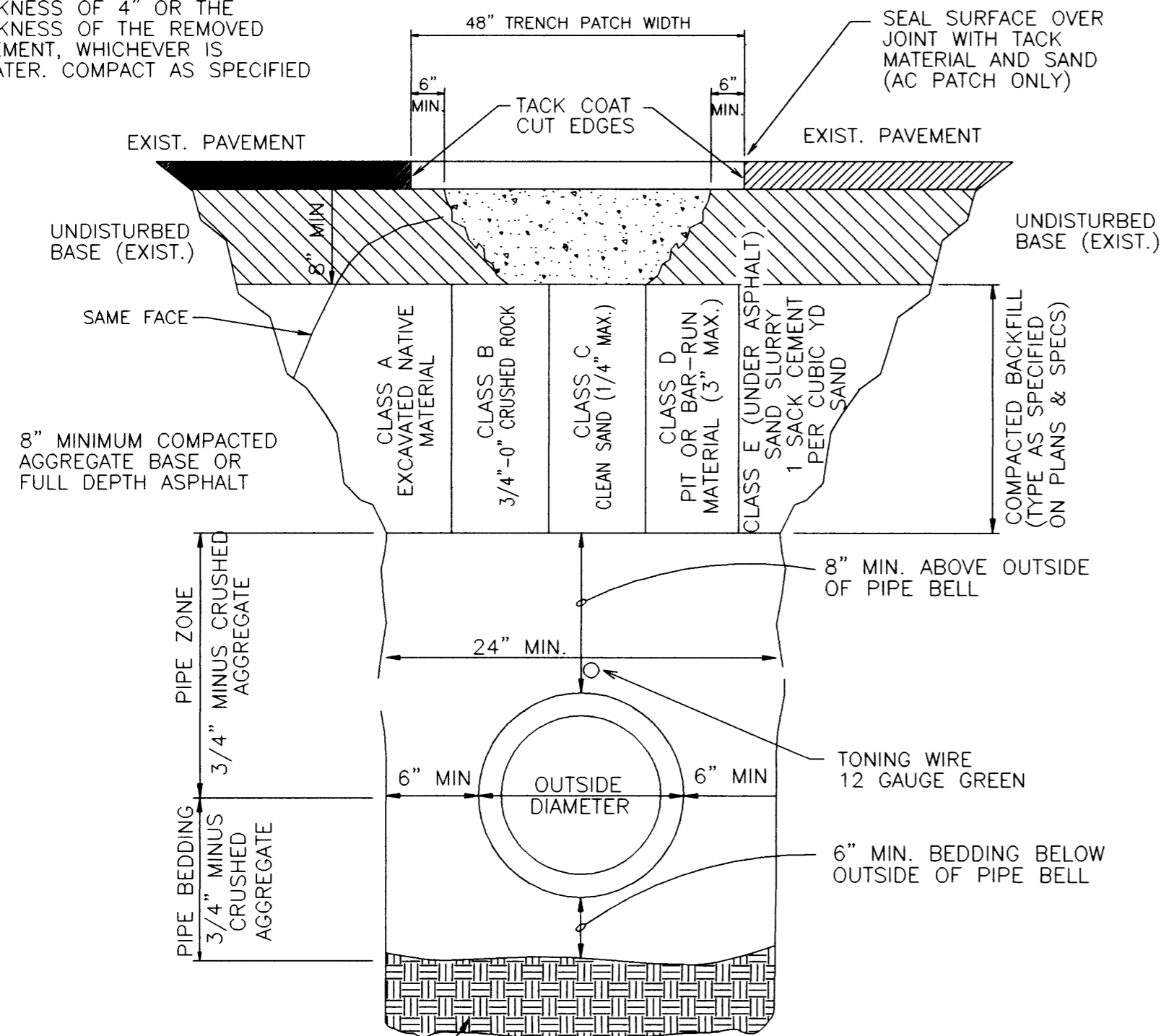


TYPICAL TRENCH BACKFILL ZONES

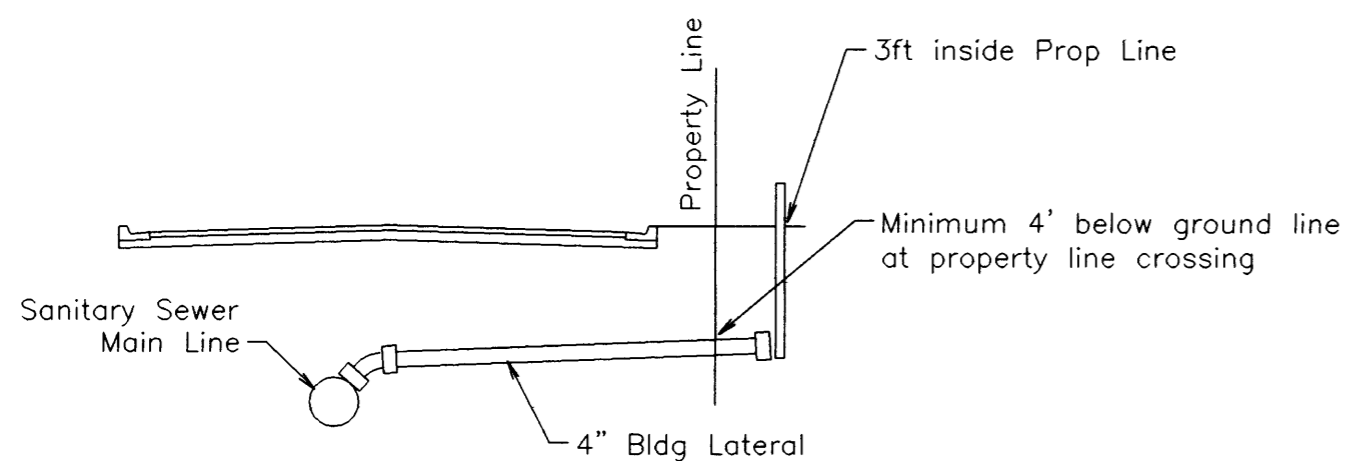
PLACE "C" MIX AC MINIMUM THICKNESS OF 4" OR THE THICKNESS OF THE REMOVED PAVEMENT, WHICHEVER IS GREATER. COMPACT AS SPECIFIED



NOTES:

1. ALL EXISTING AC OR PCC PAVEMENT SHALL BE SAWCUT PRIOR TO REPAVING.
2. CONCRETE PAVEMENT SHALL BE REPLACED WITH CONCRETE TO A MINIMUM THICKNESS OF 6" OR TO THE THICKNESS OF REMOVED PAVEMENT, WHICHEVER IS GREATER.

BUILDING LATERAL LINE

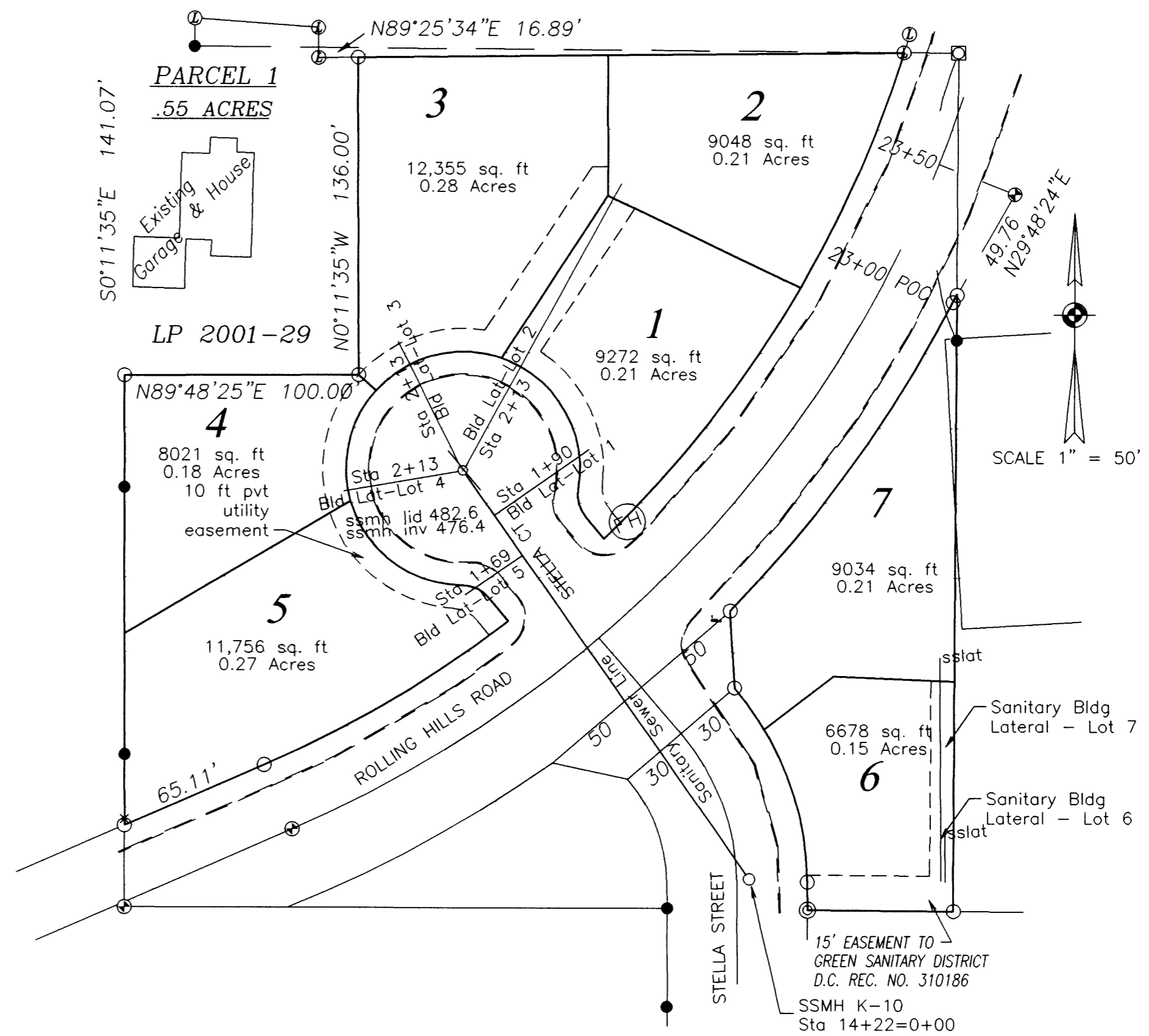


Sanitary Sewer Materials Quantities

4"Ø PVC Building Service Lateral	7	each
8"Ø PVC Sewer Line	225	lin ft
48"Ø Manhole	1	each

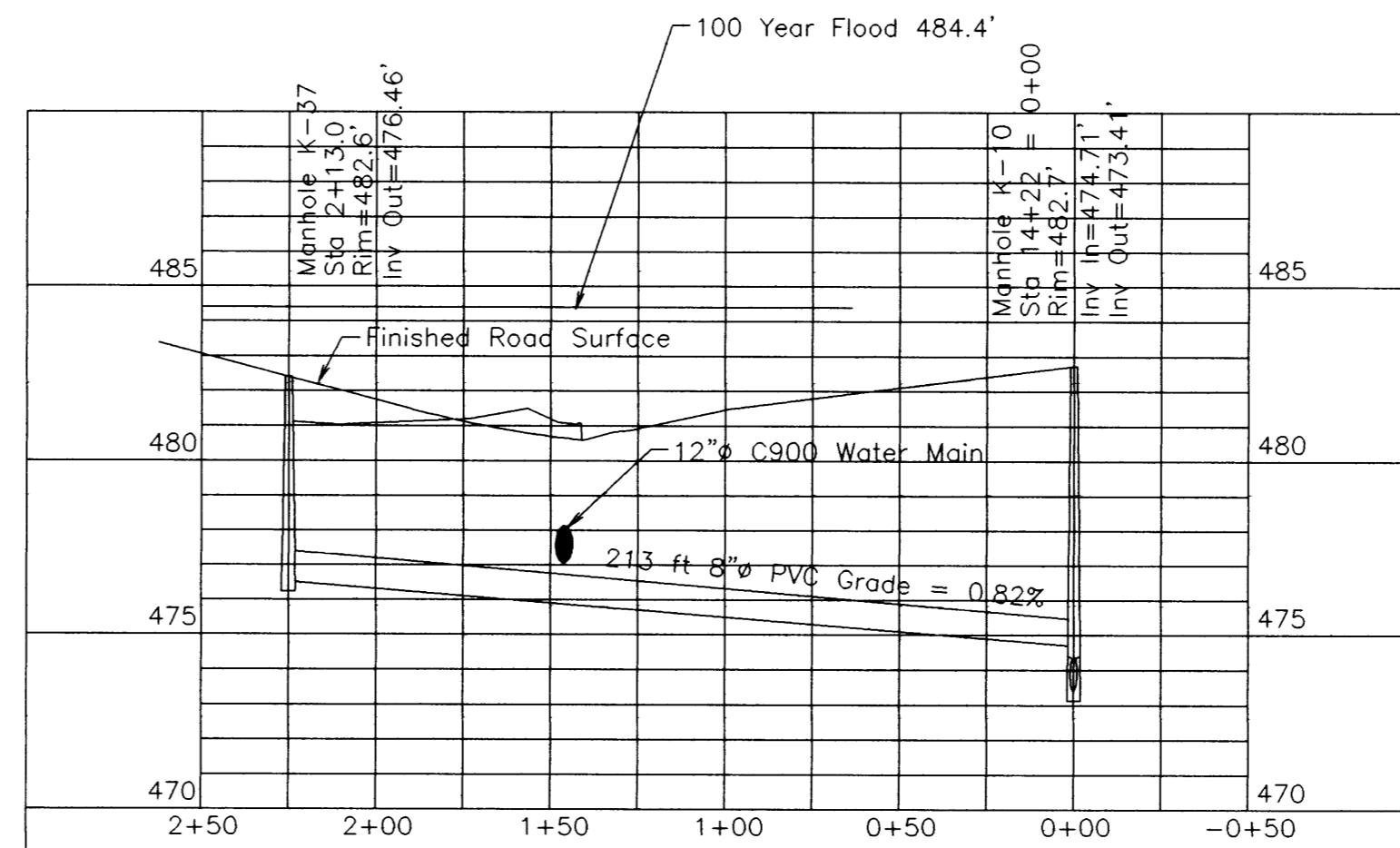
LAYOUT DRAWING

AS-BUILT PLANS 11/2002



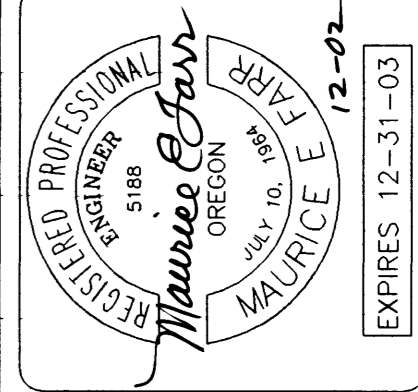
SANITARY SEWER PROFILE

Scale: Hor 1" = 50'
Vert 1" = 5'



FILED
Date: 3/6/2003 By: JP
This survey consists of:
Map:
No.:
Corner: 6pt
DOUGLAS COUNTY SURVEYOR

PLANS PREPARED BY
MAURICE E FARR
PROFESSIONAL ENGINEER
395 NE KIRBY AVENUE
ROSEBURG, OR 97470
Ph (541) 957-9442



STELLA COURT SUBDIVISION

CONTACT:
TONY KUHN
579 FISHER ROAD
ROSEBURG, OREGON

SANITARY SEWER
PLAN & PROFILE

SHEET
3 OF 6

R246ASEW