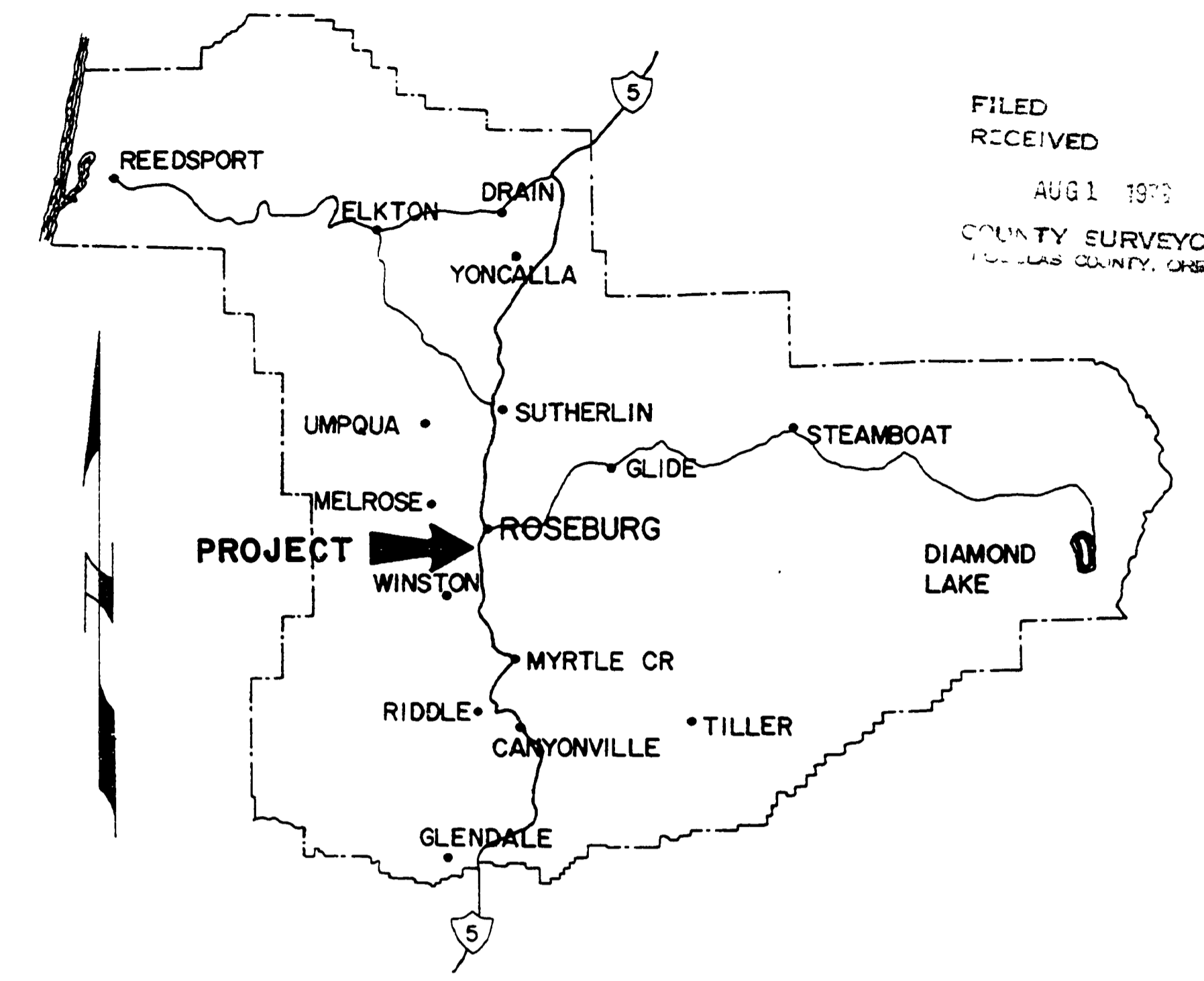
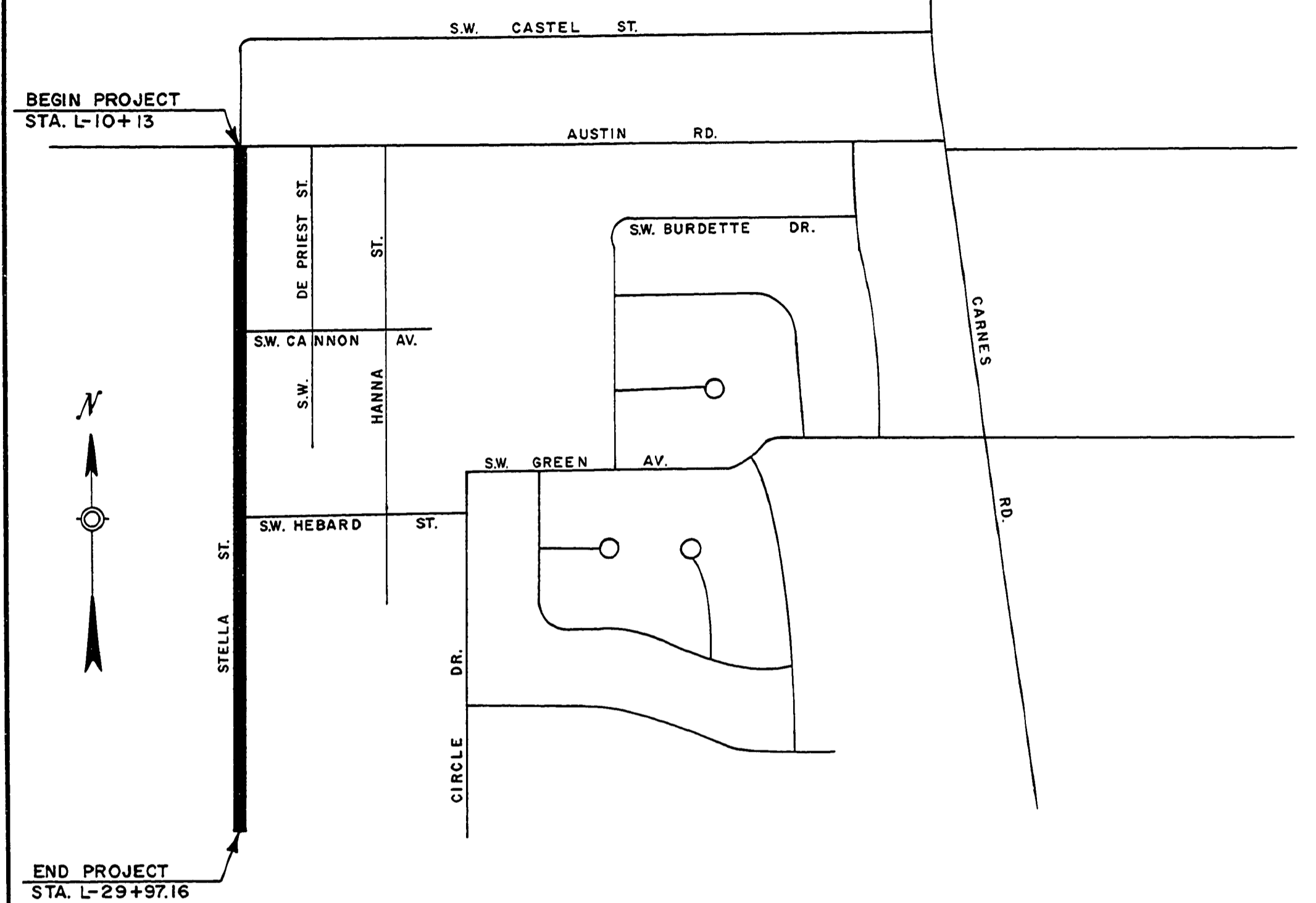


DOUGLAS COUNTY, OREGON
 PLANS FOR PROPOSED PROJECT
 GRADING, SURFACING,
 & STORM DRAIN

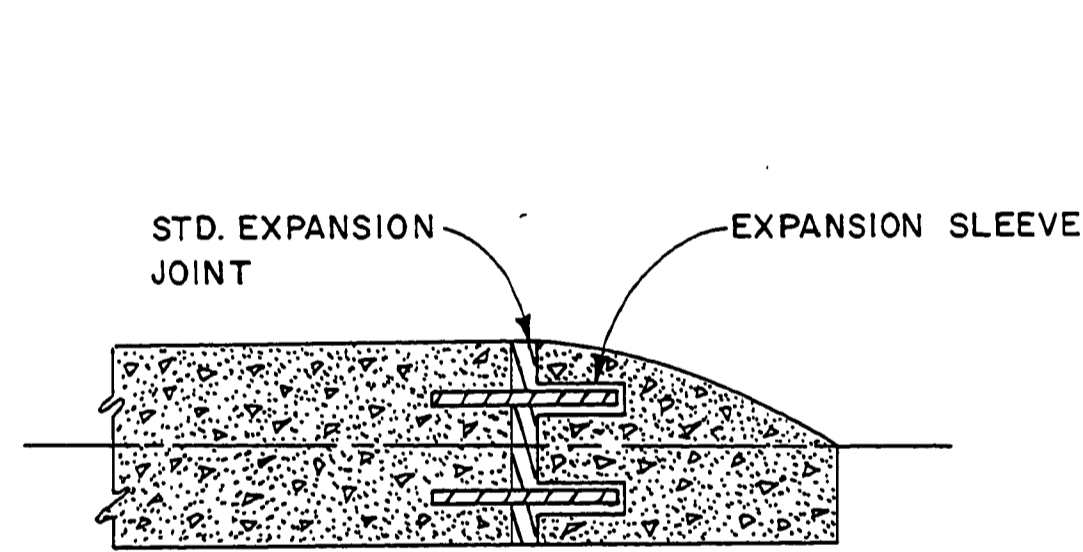
STELLA STREET
 NO. 246
 — 1979 —



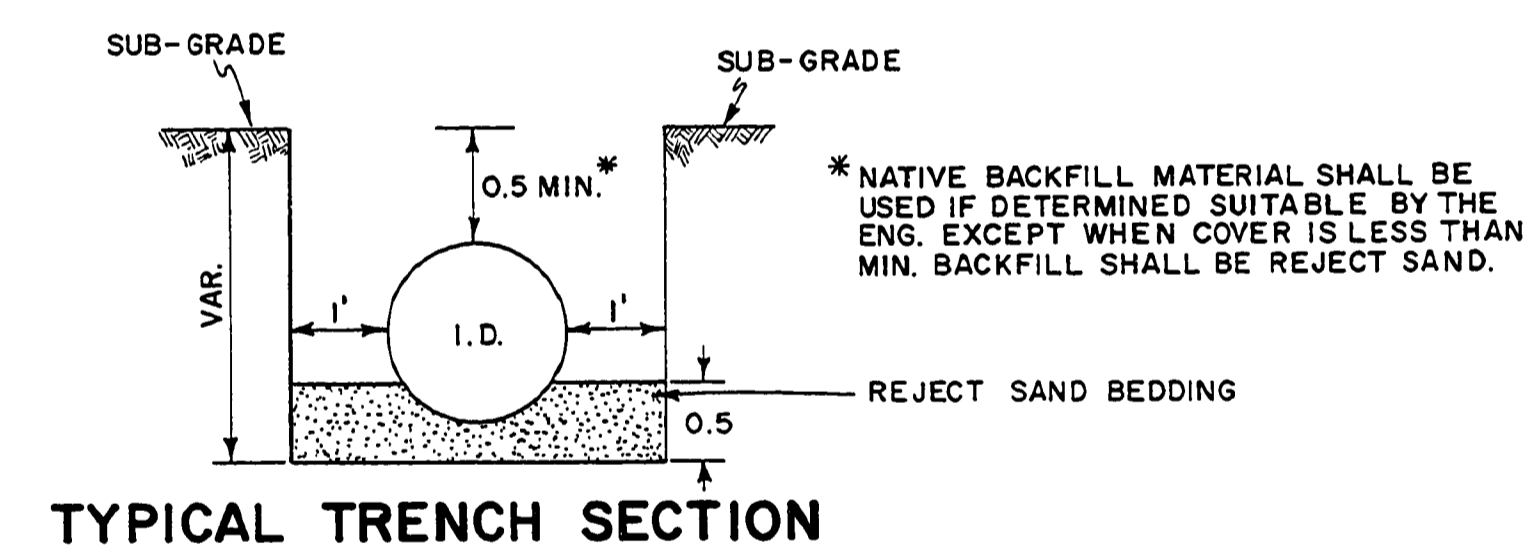
FILED
 RECEIVED
 AUG 1 1979
 COUNTY SURVEYOR
 DOUGLAS COUNTY, ORE.



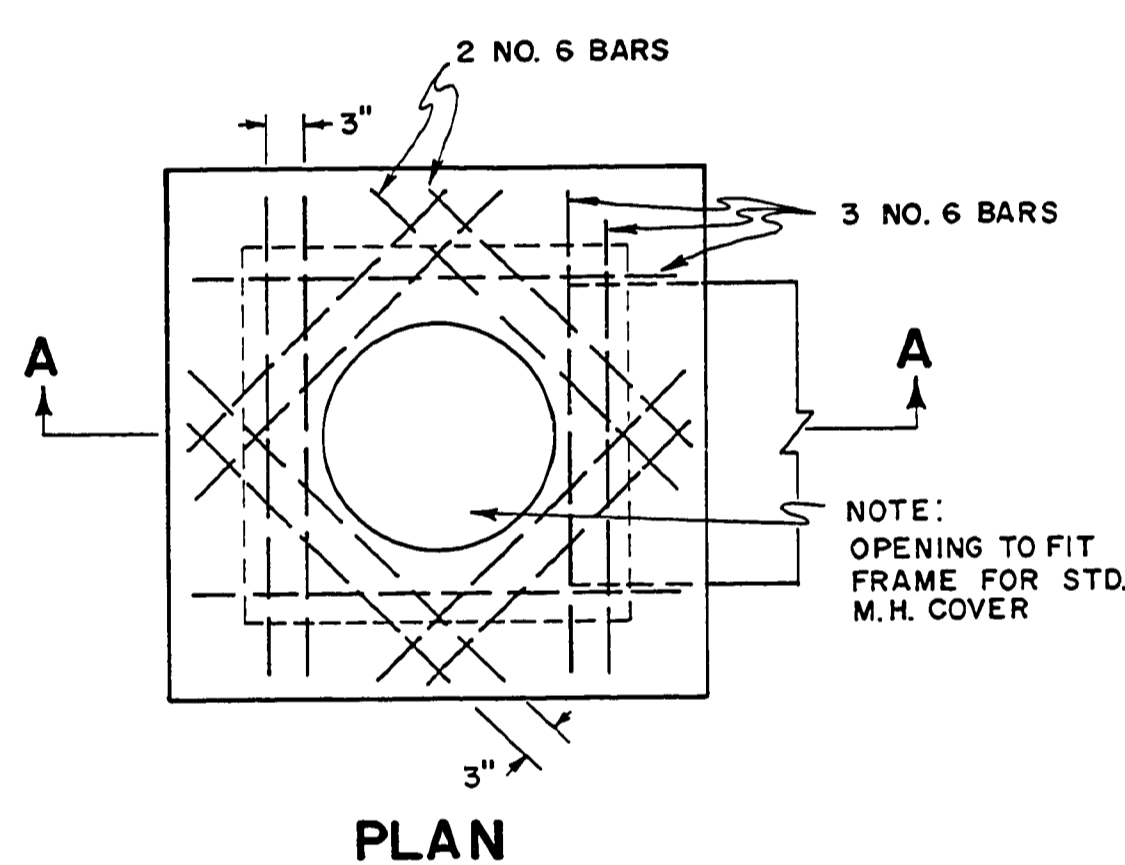
NOTE: ALL PIPE LENGTH & GRADES ARE
 AS PLANNED EXCEPT WHERE NOTED
 ON PLANS



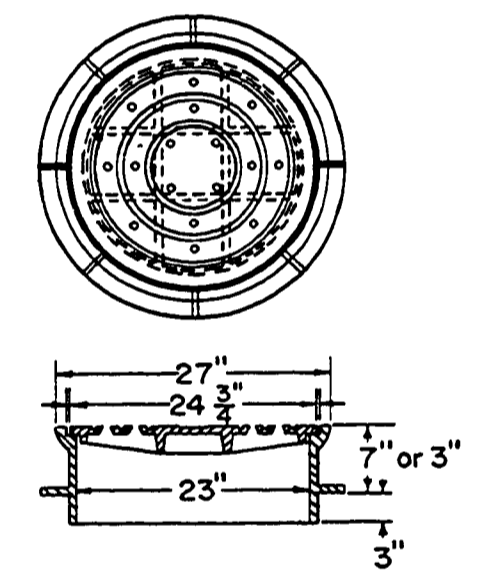
TYPICAL SECTION FOR
 CURB ENDS



TYPICAL TRENCH SECTION



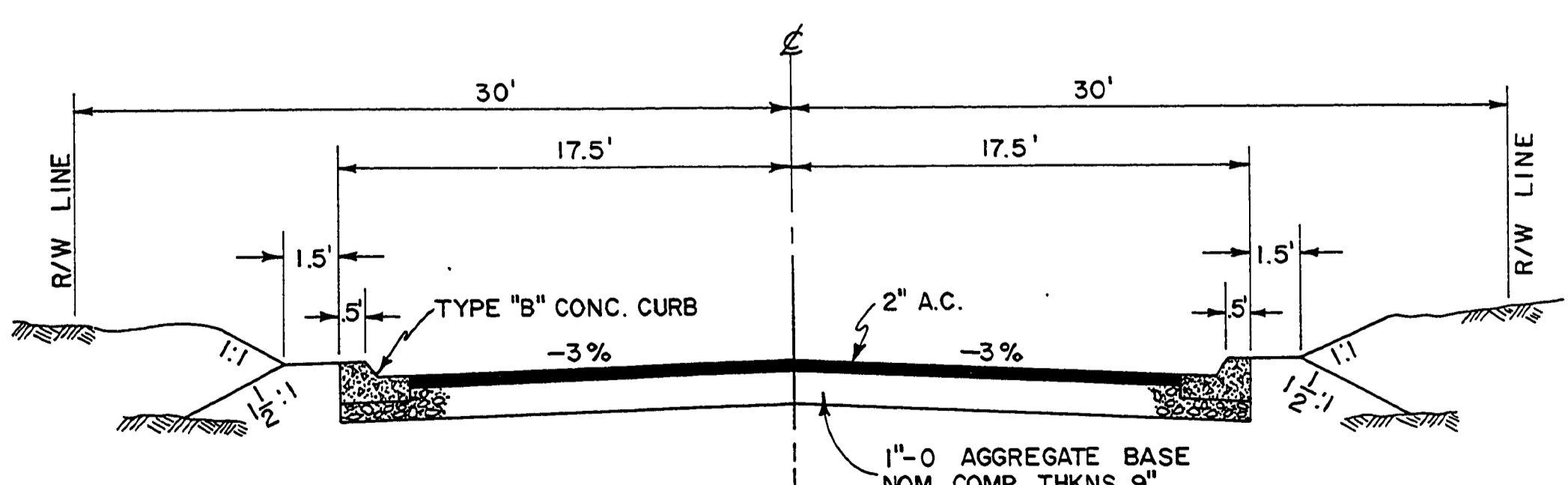
PLAN



MANHOLE RING & COVER

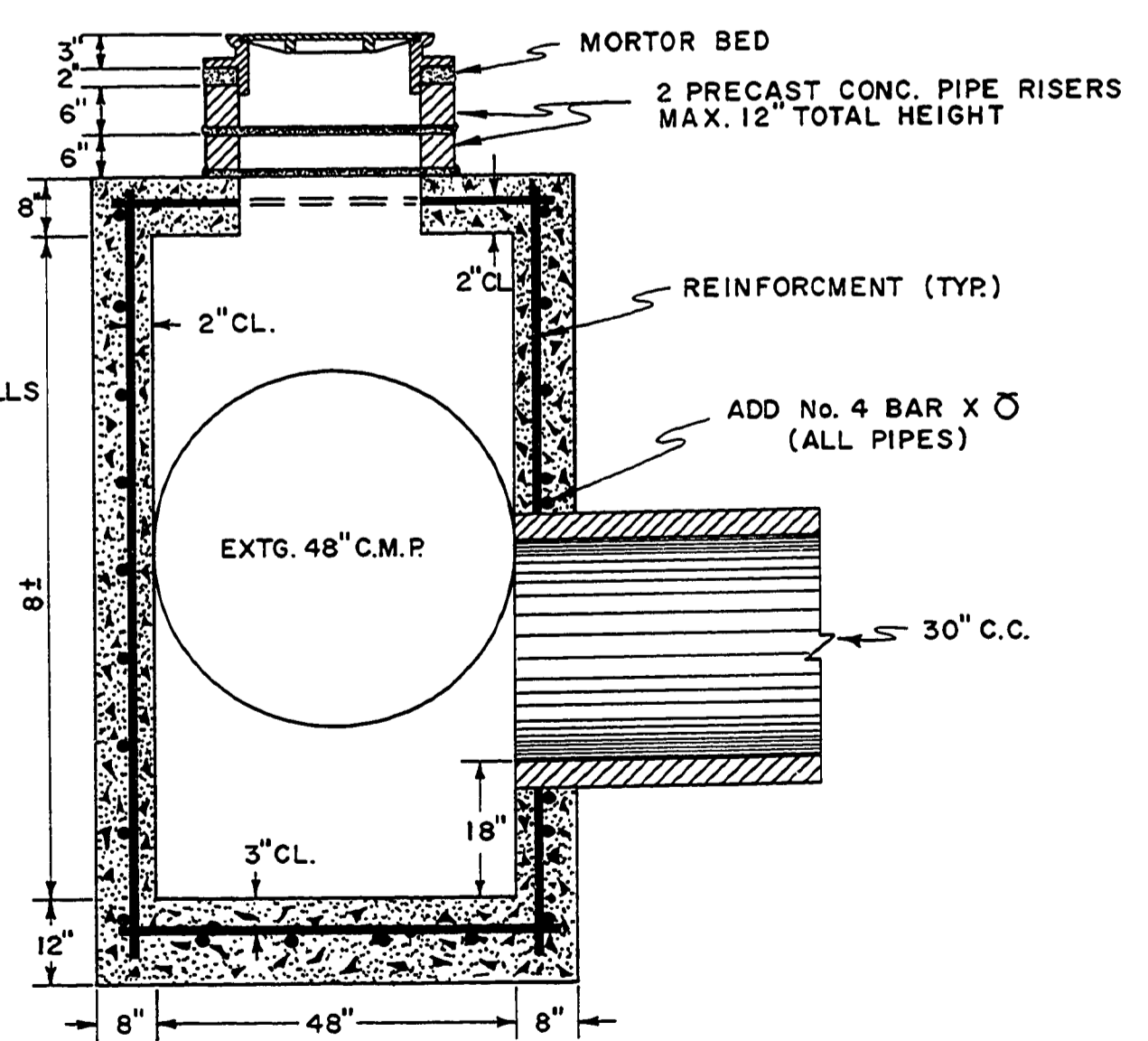
MINIMUM WEIGHT
 COVER 120 LBS.
 FRAME 155 LBS.

COVER & FRAME TO BE
 MACHINED TO A TRUE
 BEARING ALL AROUND



TYPICAL SECTION

NOTE: No. 4 BARS @ 12" C.C.
 (BOTH WAYS) ALL WALLS
 AND FLOOR

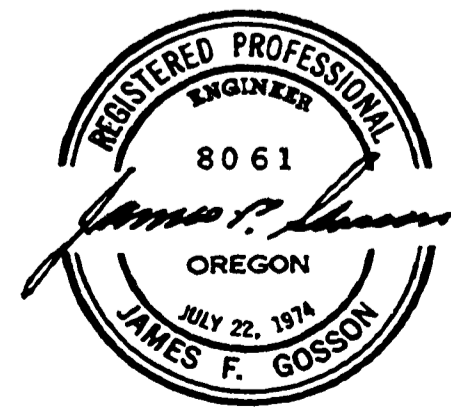


SECTION A-A
 JUNCTION BOX

INDEX OF DRAWINGS

- SHEET No.
- 1 TITLE SHEET & TYPICALS
 - 2 QUANTITY SUMMARY
 - 3-4 ROAD PLANS
 - 5-6 STORM DRAIN PLANS

STANDARD DRAWINGS
 4,9,110 & 310
 10 SHEETS TOTAL



AS BUILT 8/1/79 L.L.

SURVEYED		DOUGLAS COUNTY PUBLIC WORKS DEPARTMENT STELLA STREET
DESIGNED	<i>J.F.G.</i>	
DRAFTED	<i>J.F.G.</i>	
REVIEWED	<i>W.H.P.</i>	
BOOK		
		1979 SHT. 1 GEORGE E. GRUBB, DIRECTOR

1979
 G. Rd. # 246 Sht. 1 of 10

0006004C