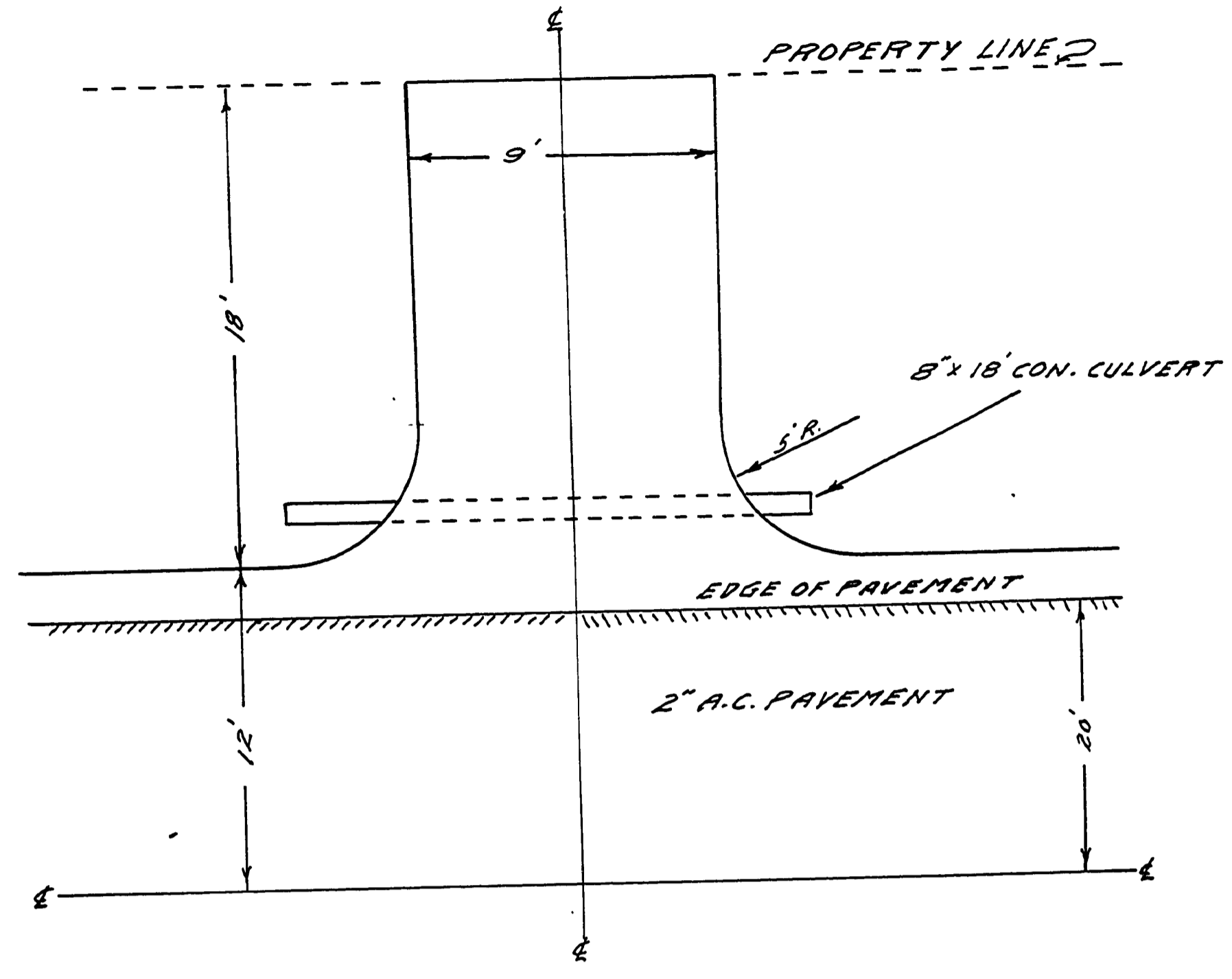
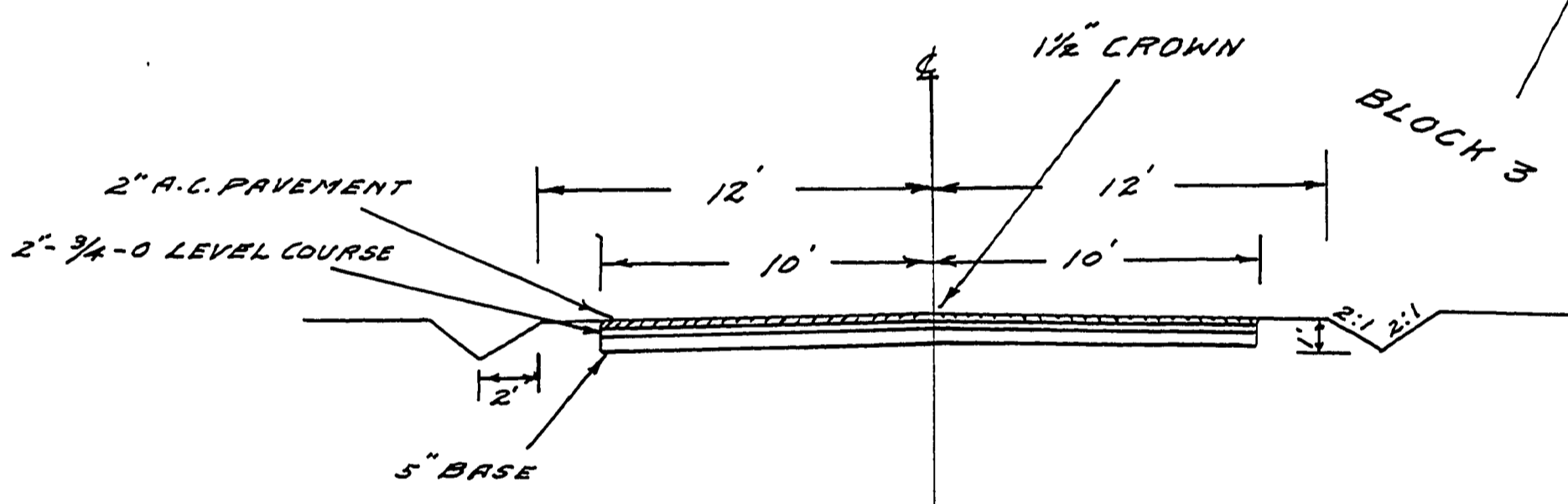


MEADOW LANE AS RECORDED IN CLOVER KERR  
 SUBDIVISION OF BLOCK 1-DIXONS ADDITION  
 PLAT BOOK VOL. 6 PAGE 29  
 FILED APRIL 19<sup>TH</sup> 1946

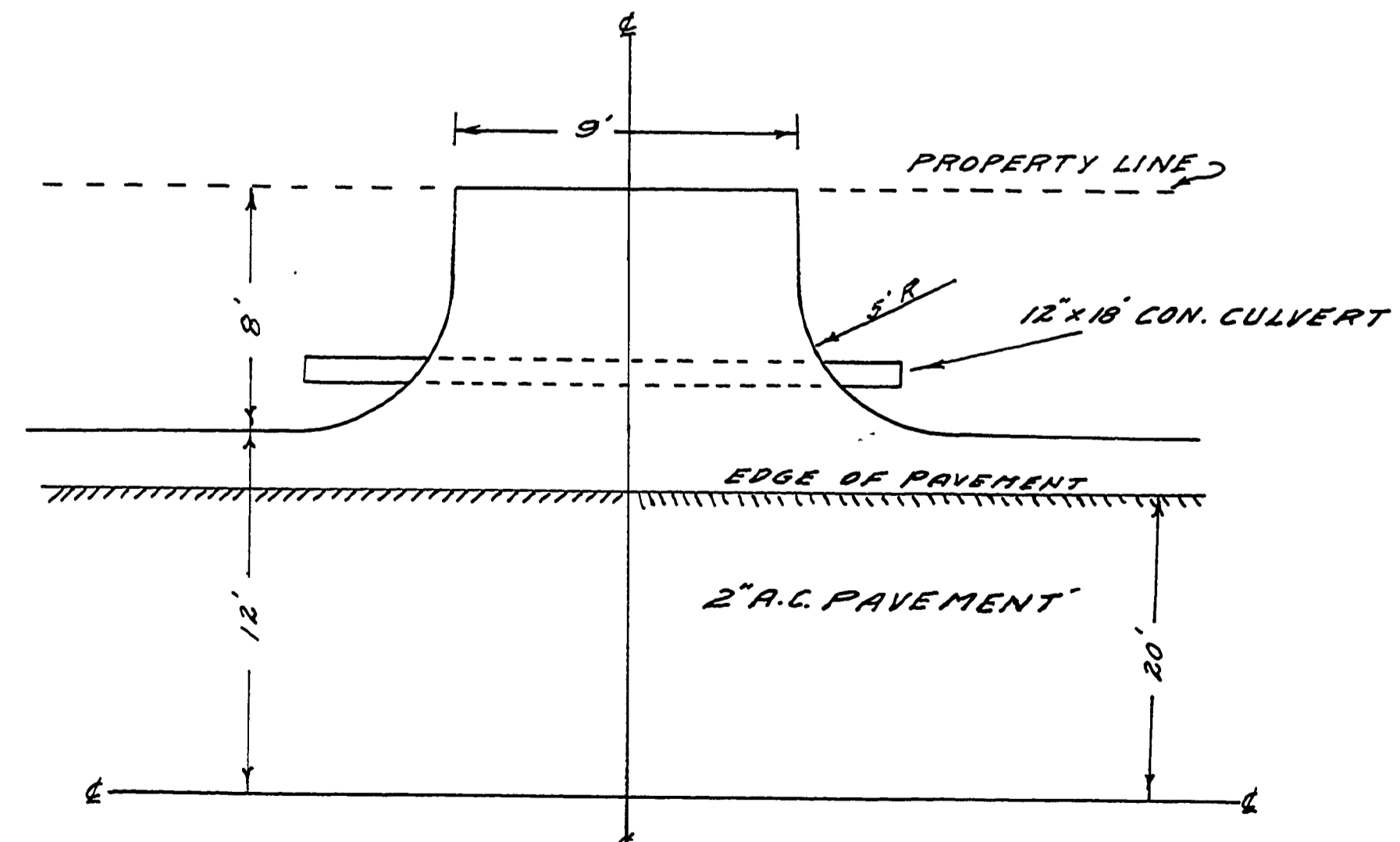
MEADOW LANE AS RECORDED IN J. THOMAS KERR TRACTS  
 SUBDIVISION OF LOT 168 OF TRACT 1 OF PLAT 1 OF ROSEBURG  
 ORCHARDS TRACT PLAT BOOK VOL. 8 PAGE 24  
 FILED JAN. 20<sup>TH</sup> 1949



TYPICAL DRIVEWAY SECTION  
 FROM HERR STREET EAST



TYPICAL SECTION



TYPICAL DRIVEWAY SECTION  
 FROM PACIFIC HWY. TO HERR ST.

MEADOW LANE ROAD NO. 238  
 ADOPTED BY RESOLUTION OF COUNTY COURT  
 SHOWN IN RED JAN. 17 1957  
 W. S. Jackson COUNTY JUDGE  
 Frank A. Myrland COUNTY COMM.  
 Hugh M. Blough COUNTY COMM.

DOUGLAS COUNTY, OREGON  
 MEADOW LANE RD. NO. 238  
 TWP. 27 S MAY 1956  
 R. 6 W  
 SEC. 12  
 MAP SCALE 1" = 50'  
 A. H. MAY COUNTY ENGINEER

FILED  
 RECEIVED  
 JAN 18 1956  
 COUNTY SURVEYOR  
 DOUGLAS COUNTY, ORE.