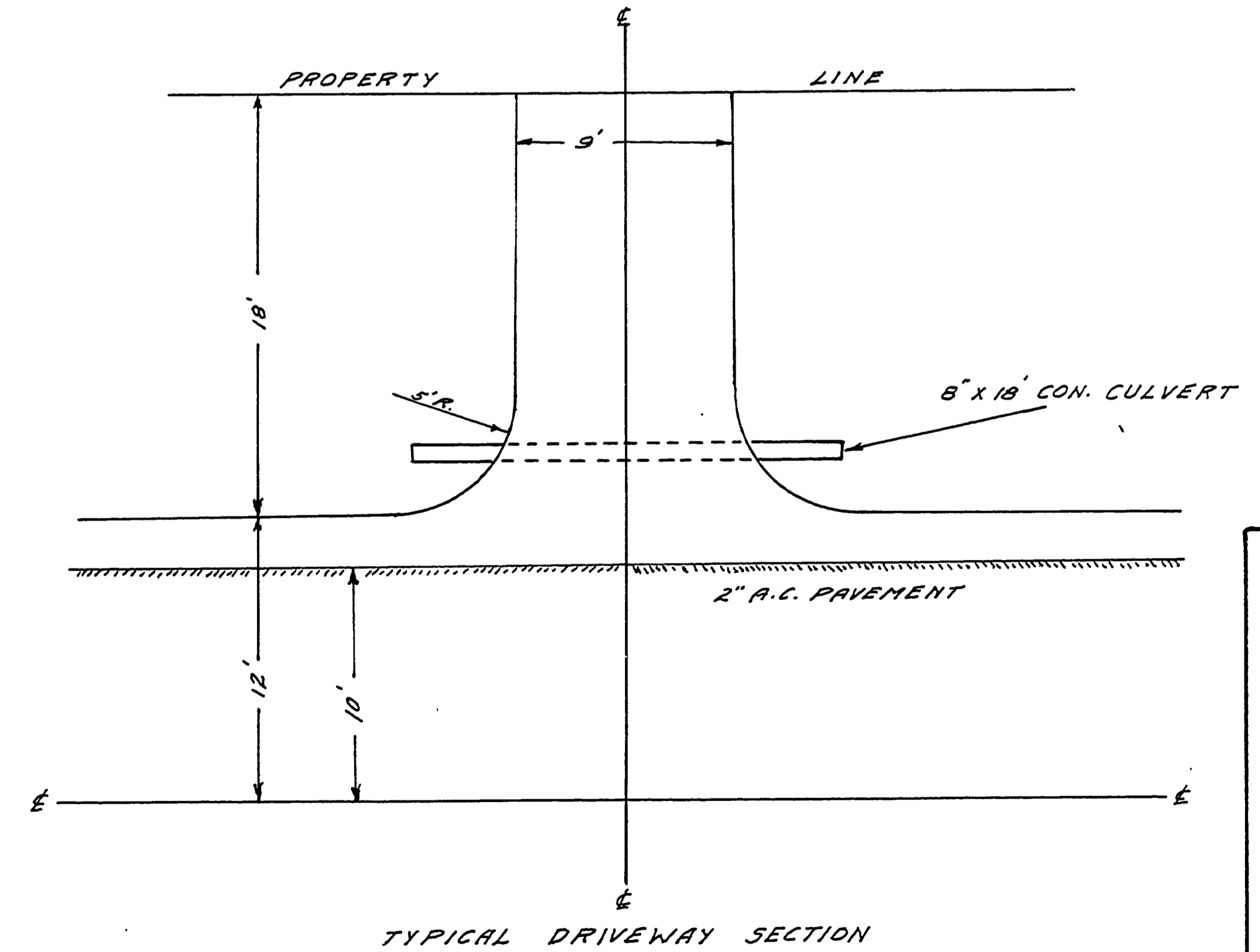
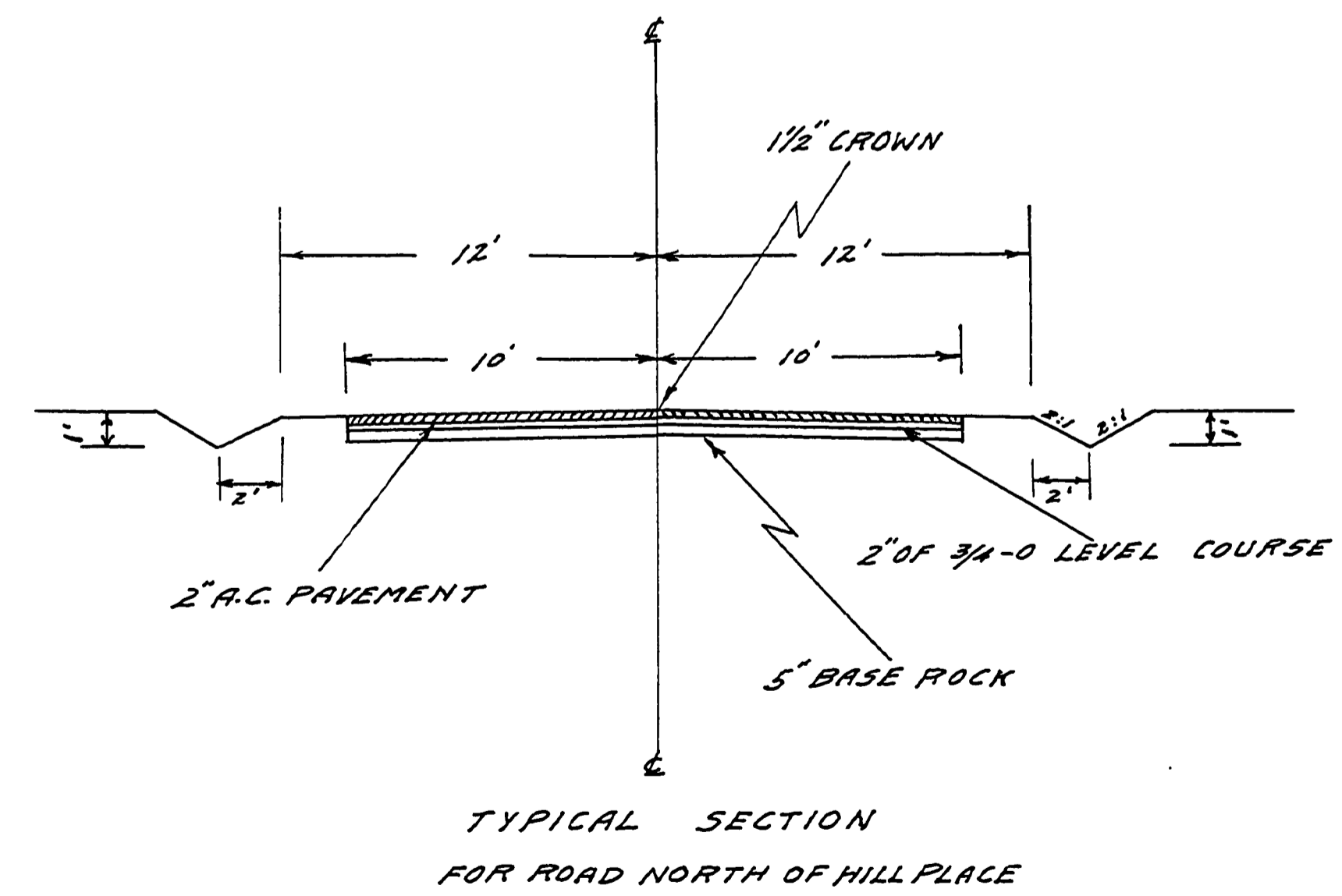
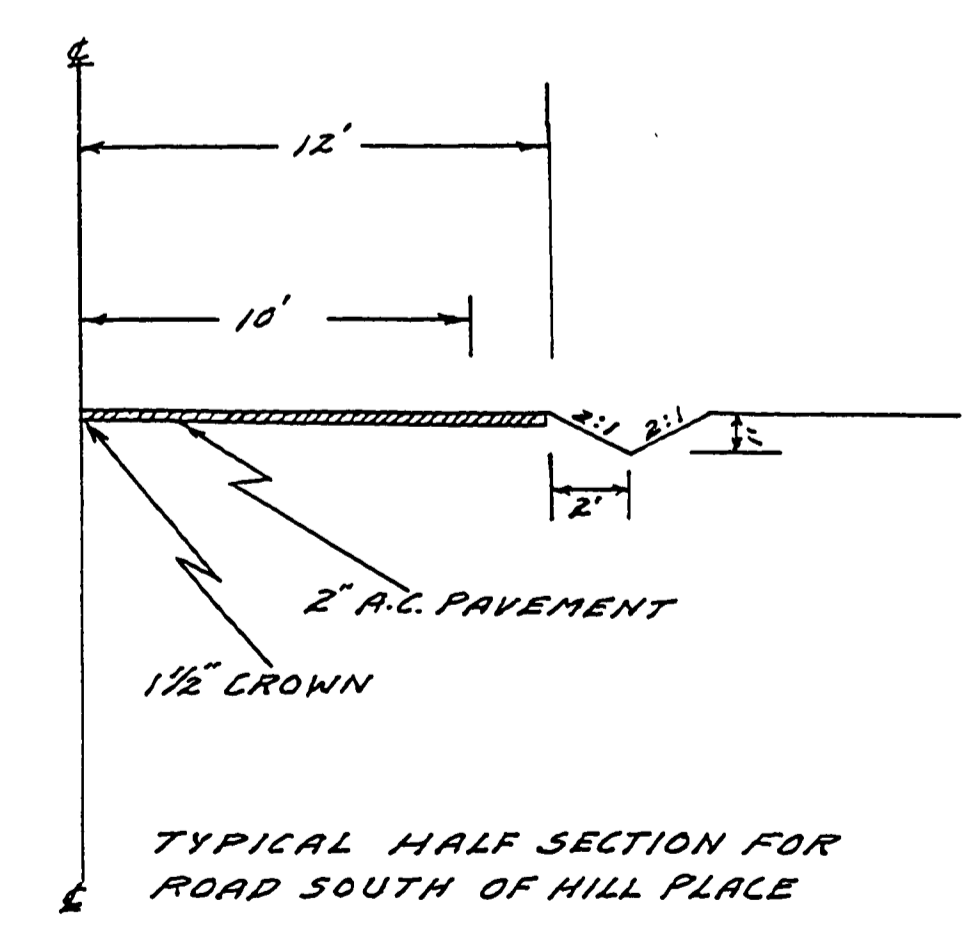
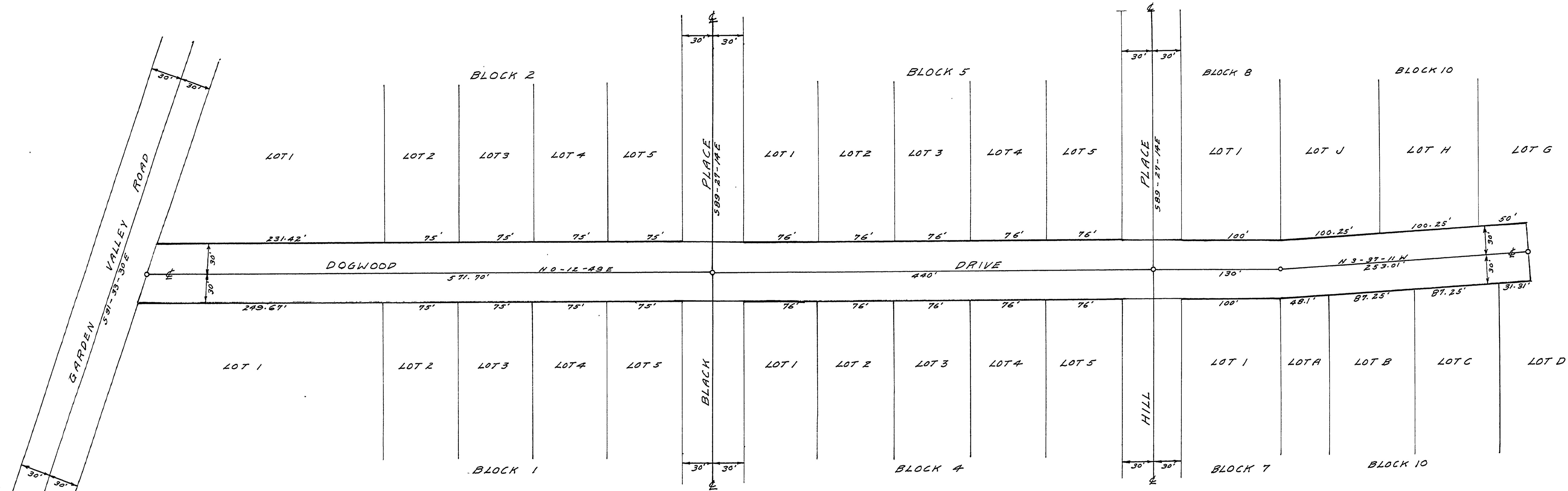


DOGWOOD DRIVE IN HOUSLEY HEIGHTS PLAT-1
 DEDICATED AS RECORDED IN PLAT BOOK
 VOL. 8 PAGE 17 & VOL. 9 PAGE 8

DOGWOOD DRIVE ROAD NUMBER 237
 ADOPTED BY RESOLUTION OF COUNTY COURT
 SHOWN IN RED JAN. 16 1957
 V. T. Jackson COUNTY JUDGE
 F. W. ... COUNTY COMM.
 ... COUNTY COMM.



FILED
 RECEIVED
 JAN 1 1957
 COUNTY SURVEYOR
 DOUGLAS COUNTY, ORE.

DOUGLAS COUNTY OREGON
 DOGWOOD DRIVE RD. NO. 237
 TWR 27S MAY 1956
 RNG. 6W
 SEC. 11&12
 PLAN SCALE 1" = 50'
 A.H. MAY COUNTY ENG.

5/56
 ROAD No. 237