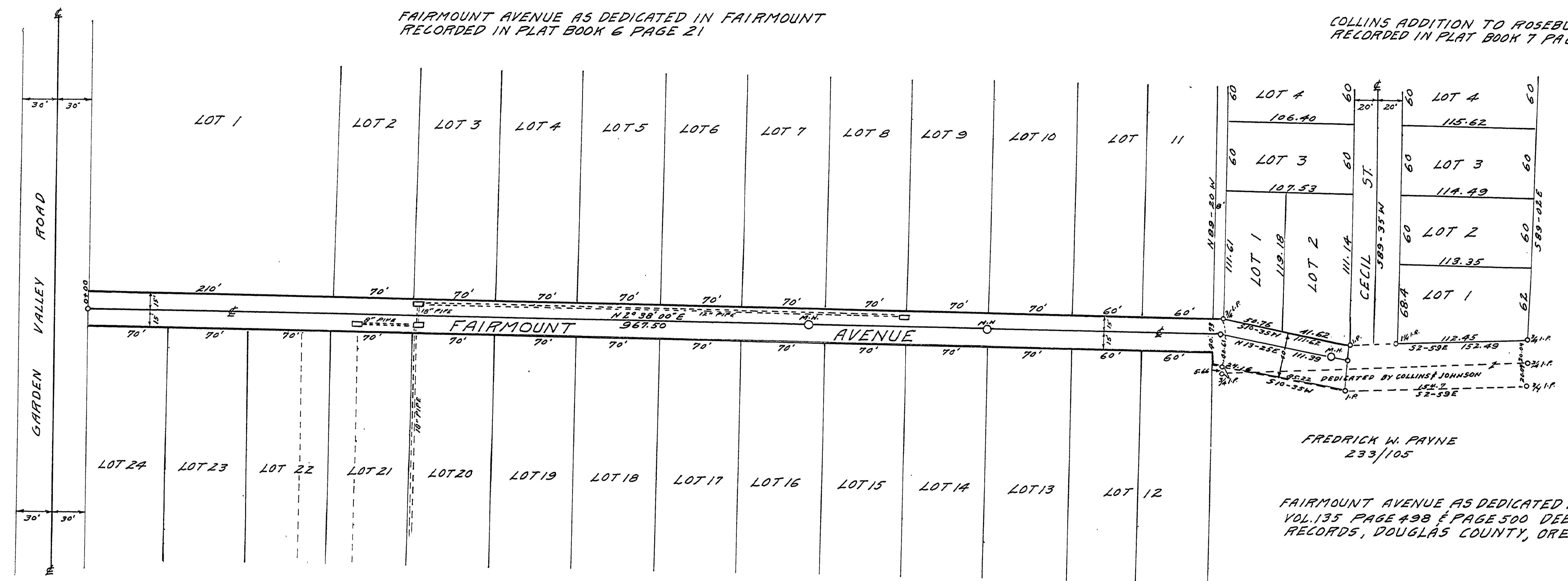




FAIRMOUNT AVENUE AS DEDICATED IN FAIRMOUNT  
RECORDED IN PLAT BOOK 6 PAGE 21

COLLINS ADDITION TO ROSEBURG  
RECORDED IN PLAT BOOK 7 PAGE 18

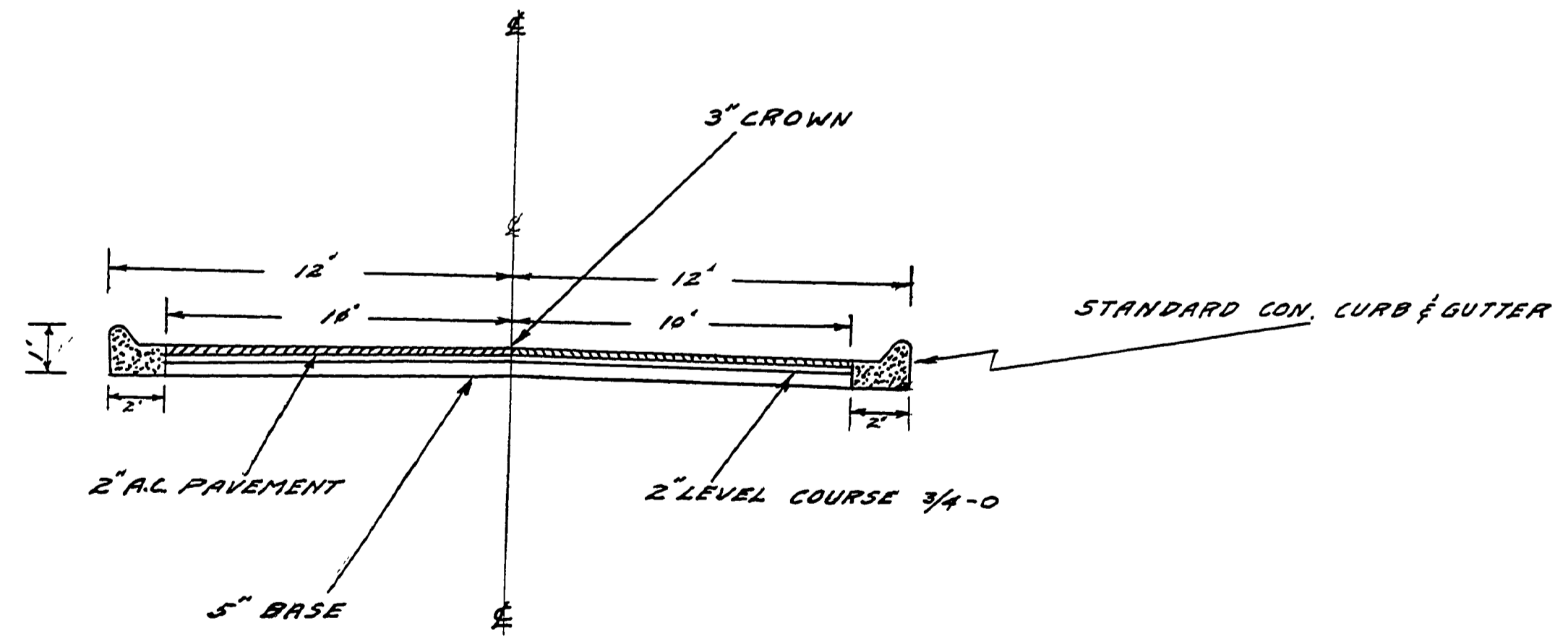


FREDRICK W. PAYNE  
233/105

FAIRMOUNT AVENUE AS DEDICATED IN  
VOL. 135 PAGE 498 & PAGE 500 DEED  
RECORDS, DOUGLAS COUNTY, ORE.

FAIRMOUNT AVENUE ROAD NUMBER 235  
ADOPTED BY RESOLUTION OF COUNTY COURT  
SHOWN IN RED JAN. 16 1957

V. F. Jackson COUNTY JUDGE  
Zachary as City COUNTY COMM.  
Harold M. Brown COUNTY COMM.



TYPICAL SECTION

FILED  
RECEIVED  
JAN 1 1957  
COUNTY SURVEYOR  
DOUGLAS COUNTY, ORE.

**DOUGLAS COUNTY OREGON**  
FAIRMOUNT AVE. RD. NO. 235  
TWP. 27 S JULY 1956  
RNG. 6 W  
SEC. 13  
PLAN SCALE 1" = 50'  
A. H. MAY COUNTY ENG.

July 1956  
Co. ROAD No. 235  
skt 1 of 1

M.P. 0.00 - 0.20

00000020

