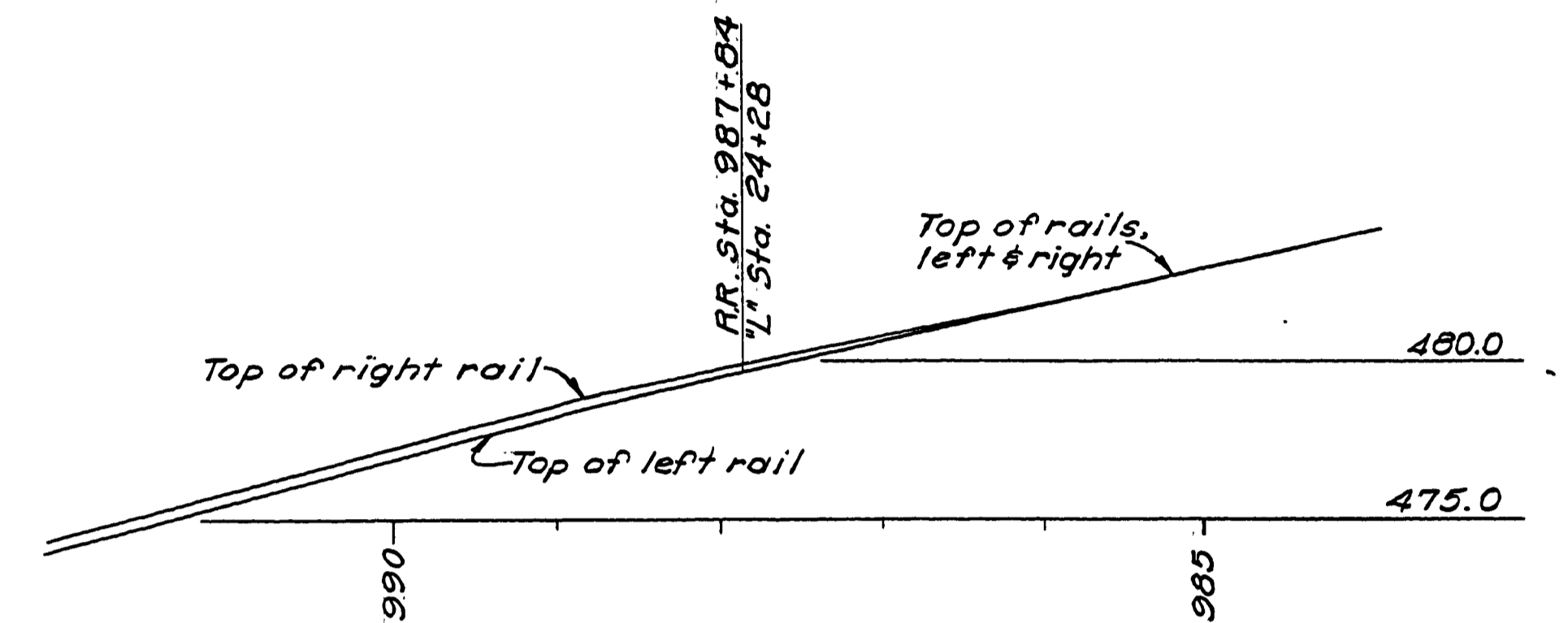
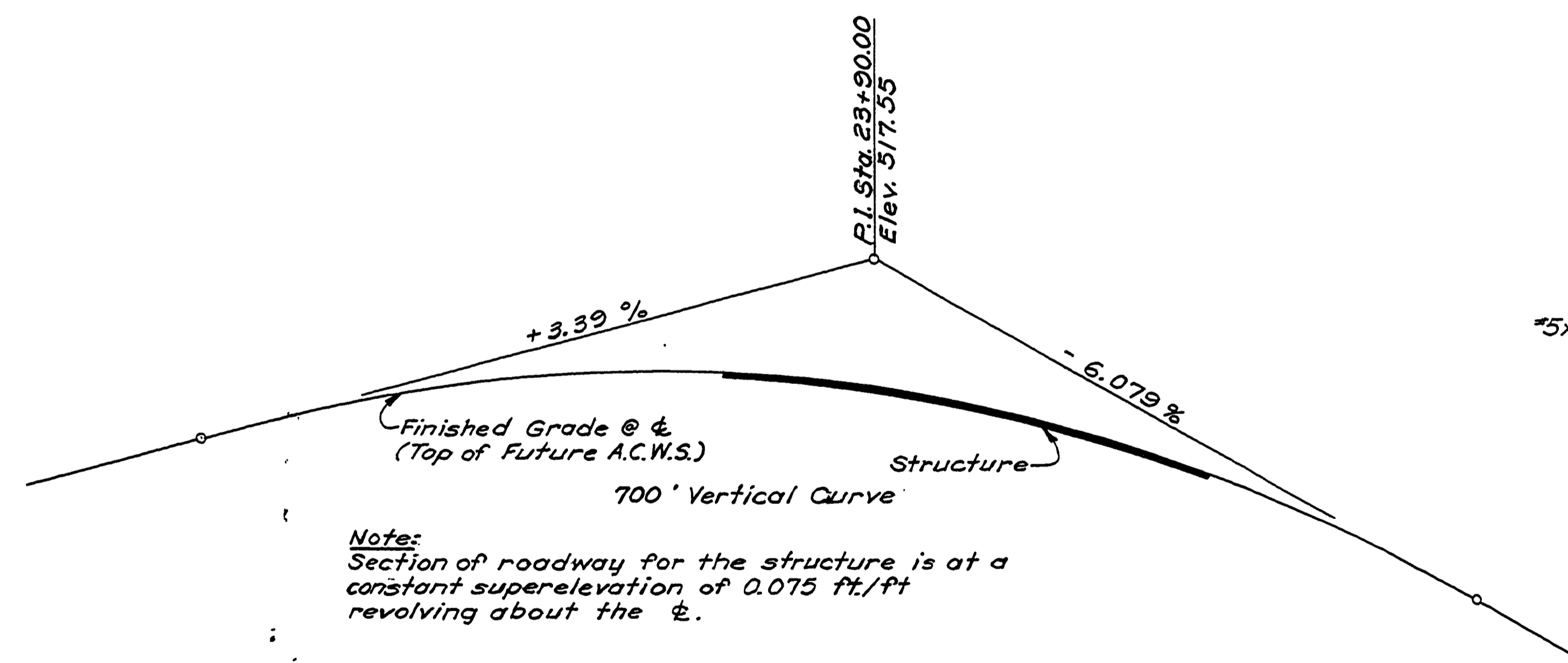


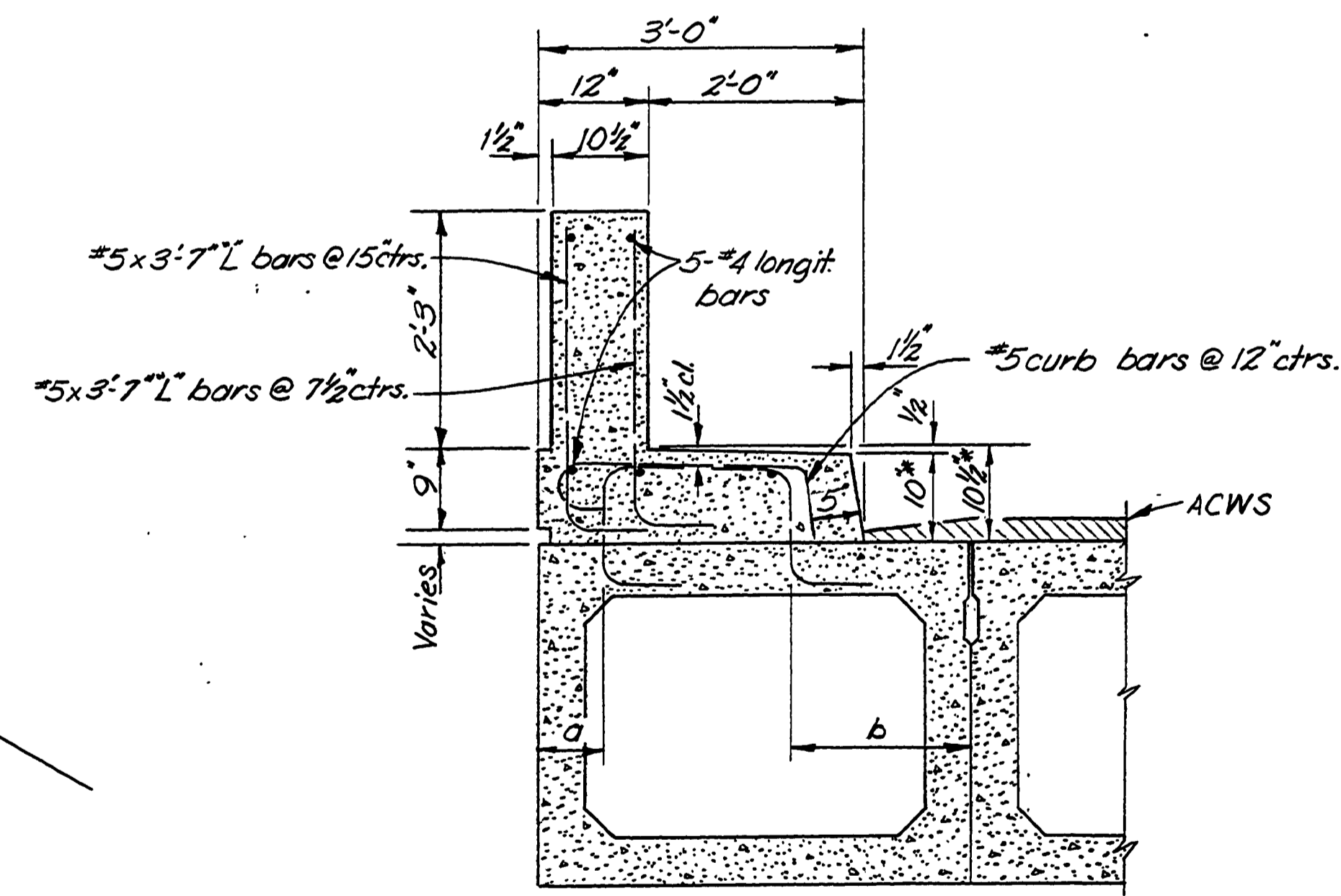
CLEARANCE DIAGRAM
SECTION NORMAL TO R.R. \pm
Scale: 1"=10'-0"



RAILROAD PROFILE
Scale: Horiz. 1"=100'-0"
Vert. 1"=5'-0"

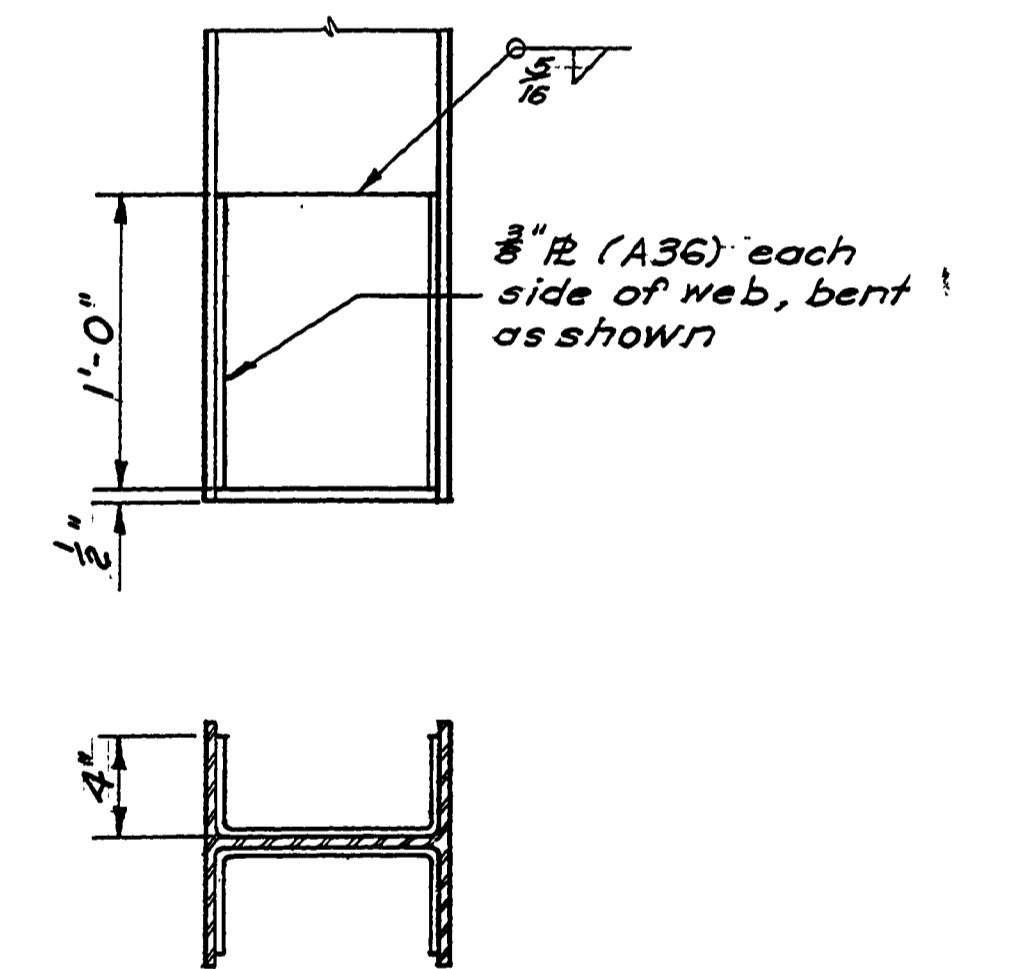


GRADE LINE DIAGRAM
No Scale



CURB & RAIL DETAIL - SPAN #2

* The depth of curb may vary in Span #2 in order to maintain the required curb height above the finished gutter elevation.



PILE TIP DETAIL
Scale: 1/2"=1'-0"

OREGON BRIDGE ENGINEERING COMPANY CONSULTING ENGINEERS EUGENE, OREGON			
DEL RIO OVERCROSSING OF THE S.P.R.R. FOR DOUGLAS COUNTY, OREGON			
CLEARANCE DIAGRAM & MISC. DETAILS			
DEN R.C.	DATE 3-28-68	PROJECT NO. 8-3	DWG NO.
CID	DATE	FILE NO. 330	2 OF 8