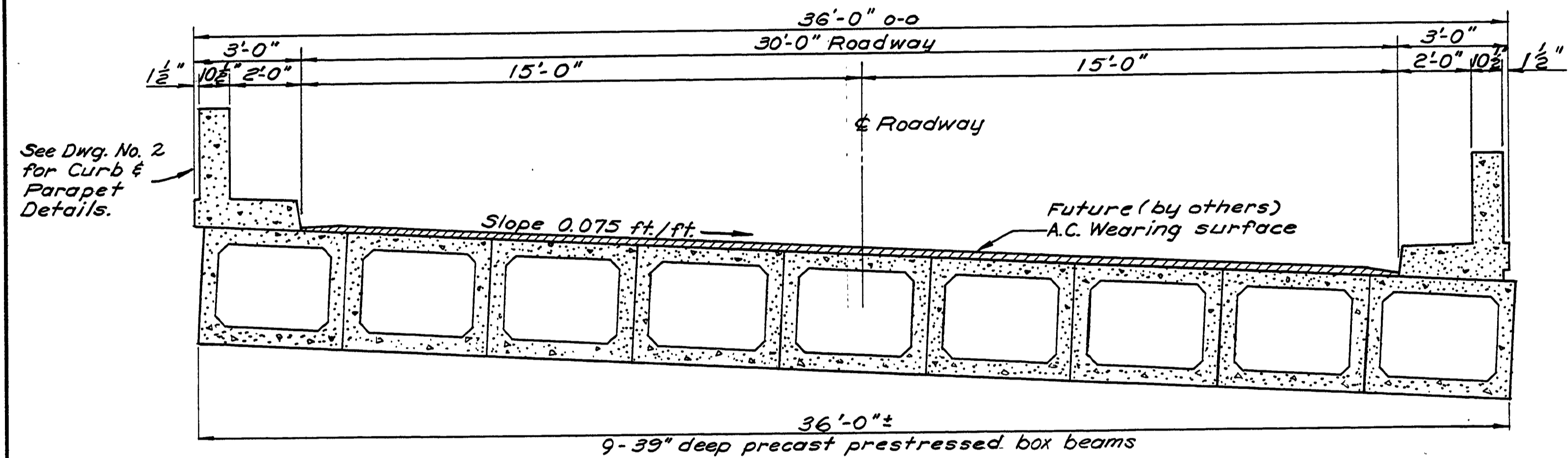
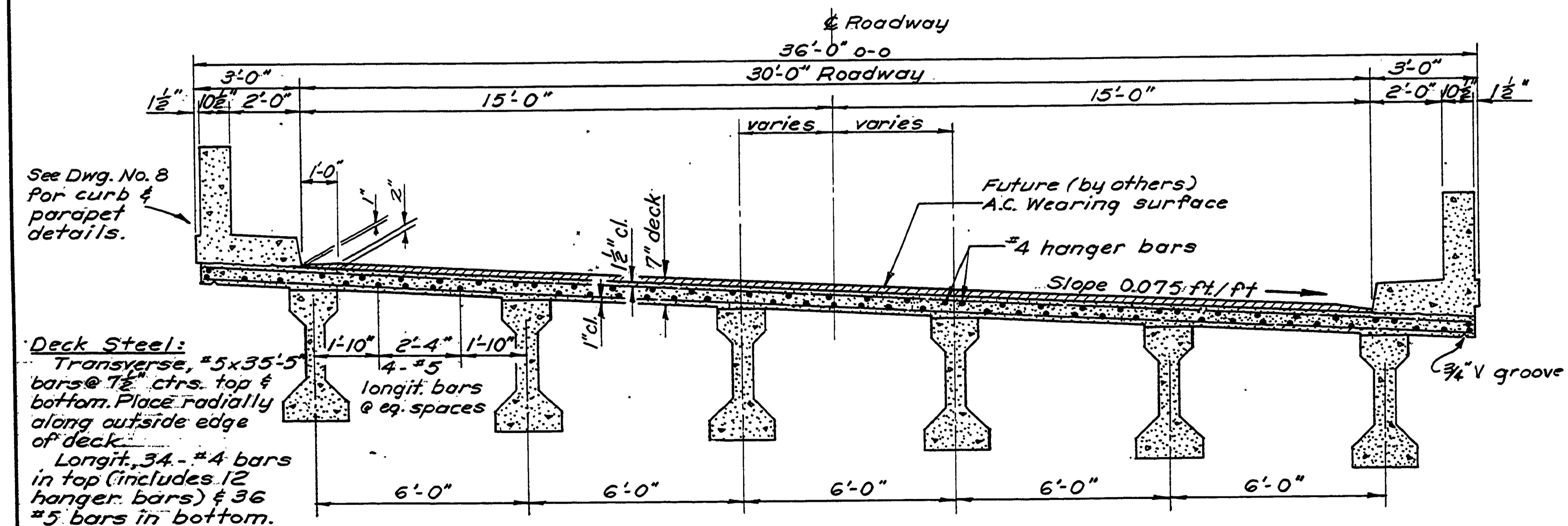


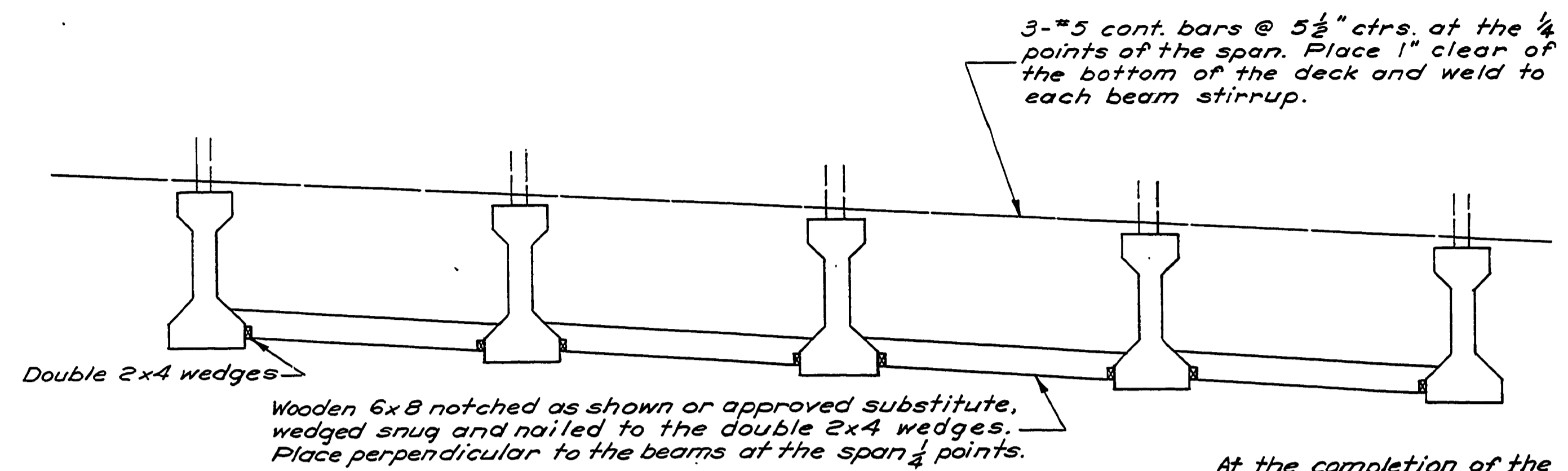
DECK SECTION - SPAN 1
Scale: $\frac{3}{8}$ " = 1'-0"



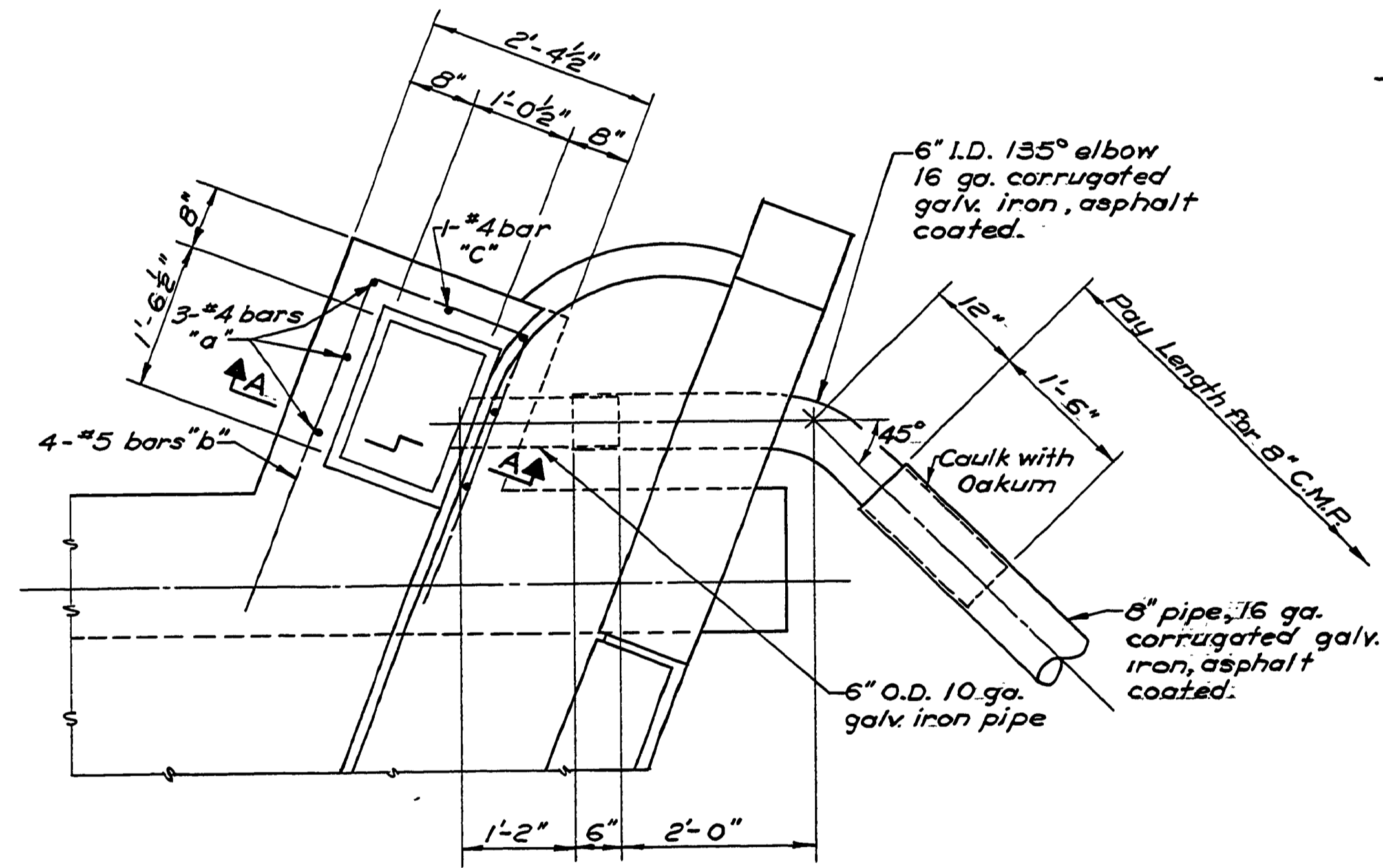
DECK SECTION - SPAN 2
Scale: $\frac{3}{8}$ " = 1'-0"



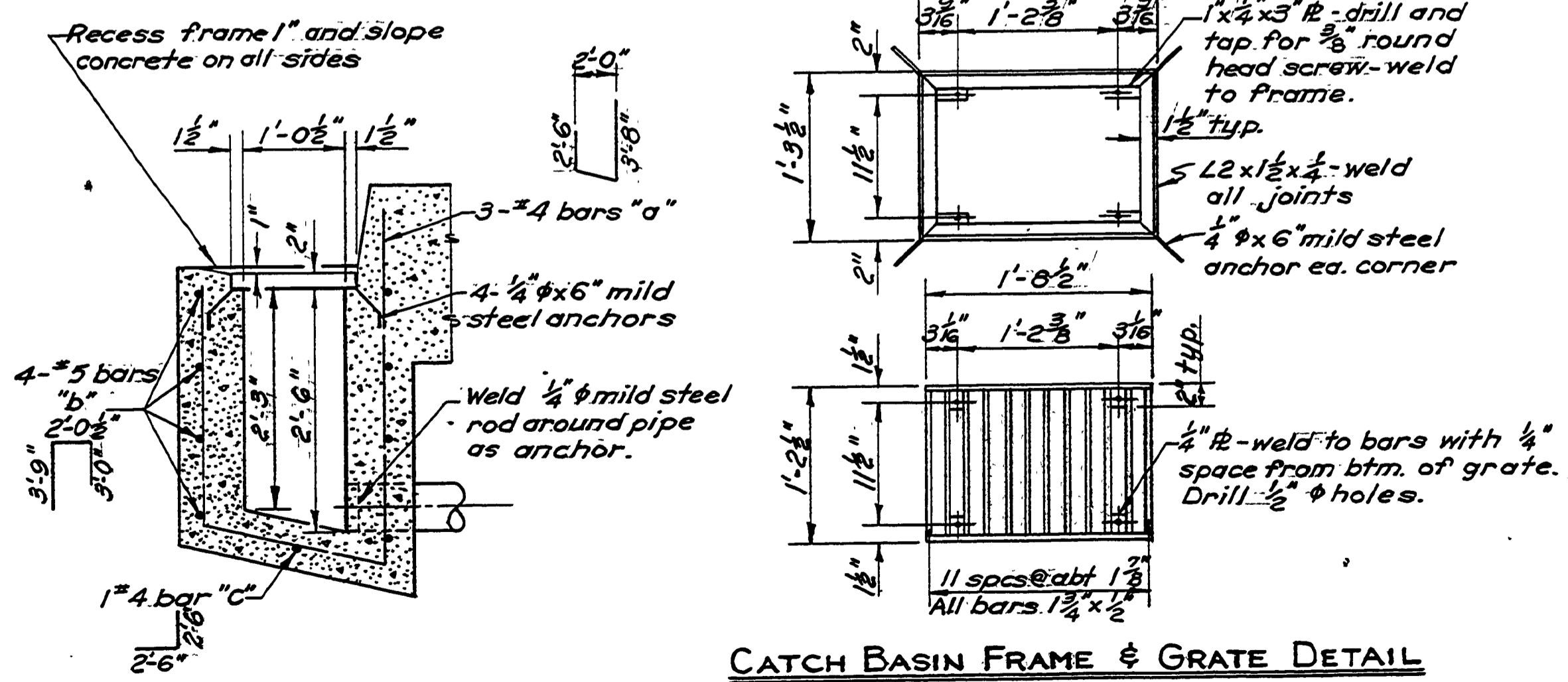
DECK SECTION - SPAN 3
Scale: $\frac{3}{8}$ " = 1'-0"



BEAM BRACING DETAIL



PLAN AT CATCH BASIN
Scale: $\frac{3}{4}$ " = 1'-0"



SECTION A-A
Scale: $\frac{3}{4}$ " = 1'-0"

CATCH BASIN FRAME & GRATE DETAIL
Scale: 1" = 1'-0"

OREGON BRIDGE ENGINEERING COMPANY CONSULTING ENGINEERS EUGENE, OREGON			
DEL RIO OVERCROSSING OF THE S.P.R.R. FOR DOUGLAS COUNTY, OREGON			
DECK SECTIONS & CATCH BASIN DETAILS			
DRN	R.C.	DATE 3-25-68	PROJECT NO. 8-3
CD	DATE	FILE NO. 331	DWG NO. 30E8

0000DECK