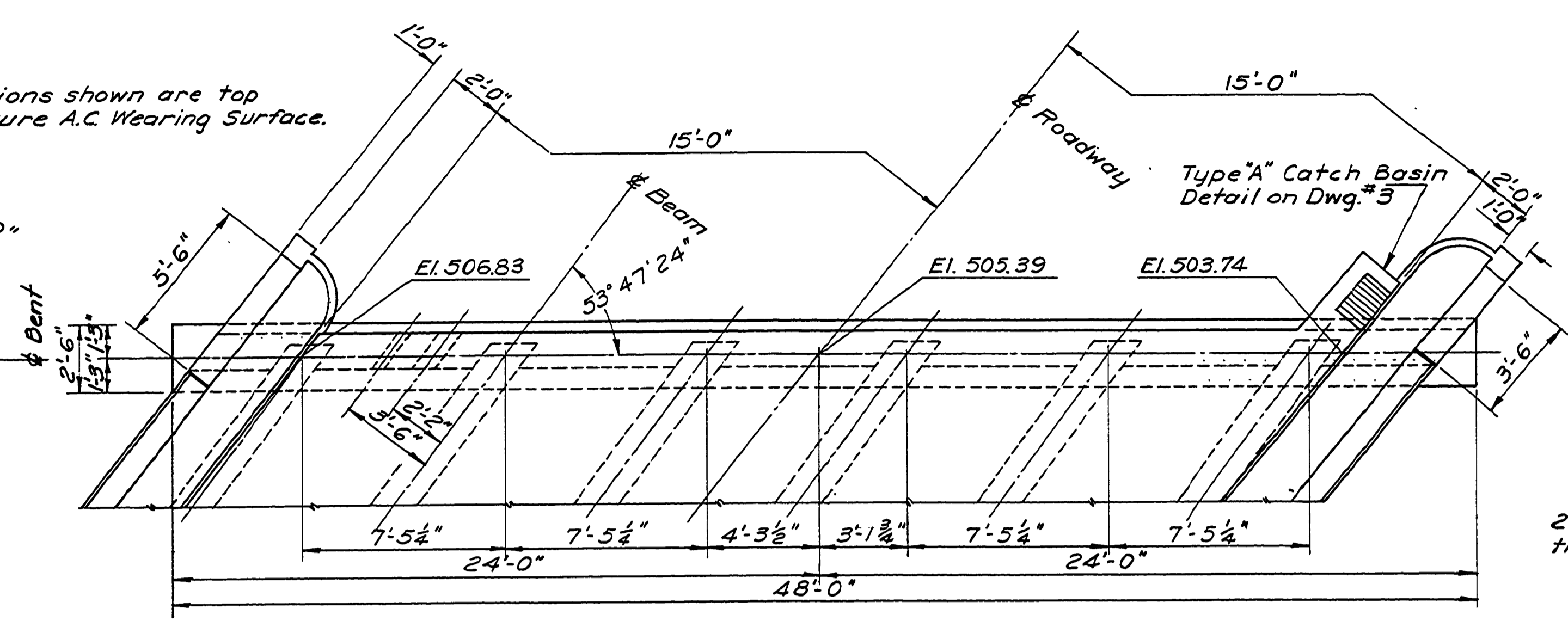
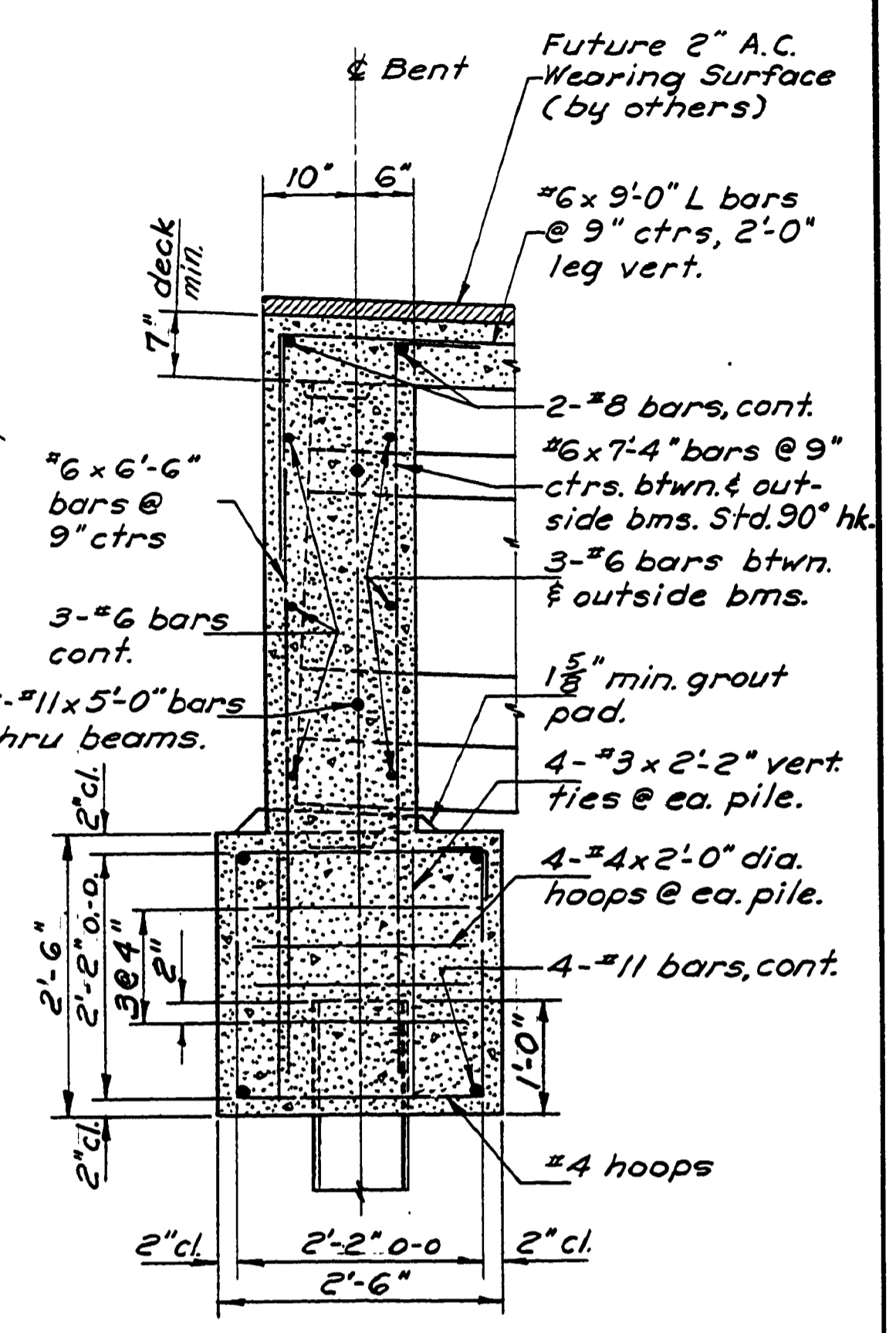


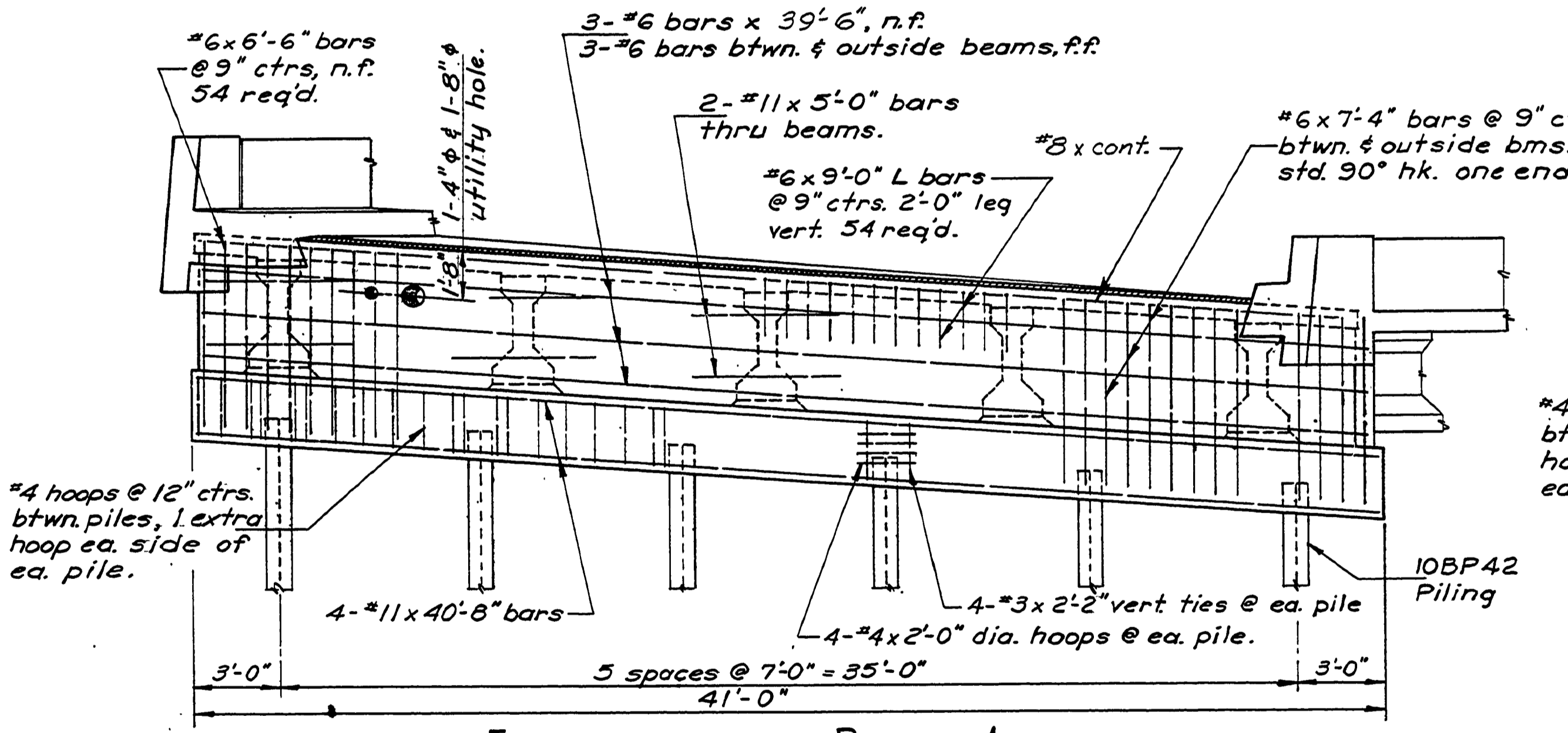
PLAN - BENT 1
Scale: 1/4" = 1'-0"



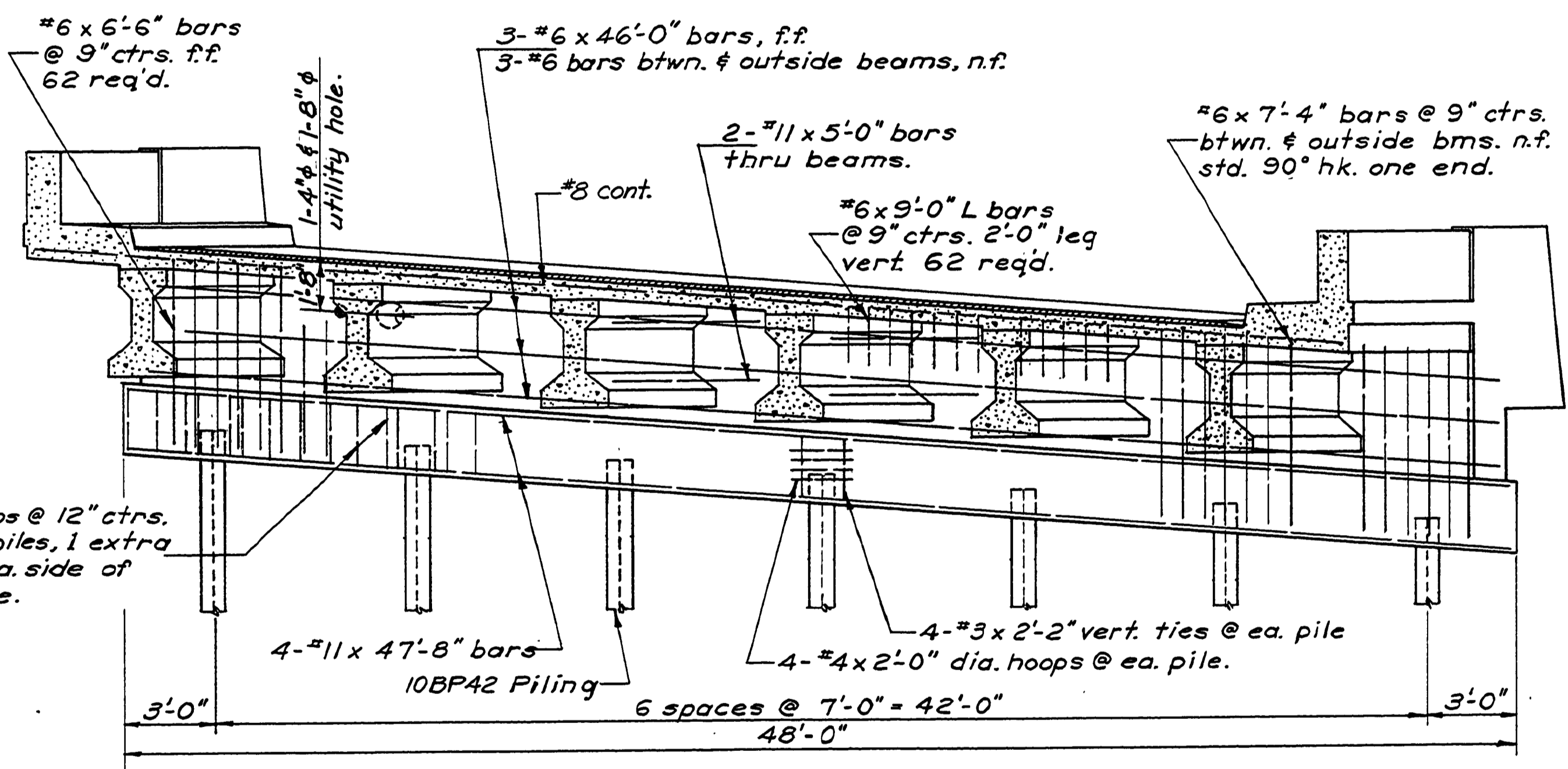
PLAN - BENT 4
Scale: 1/4" = 1'-0"



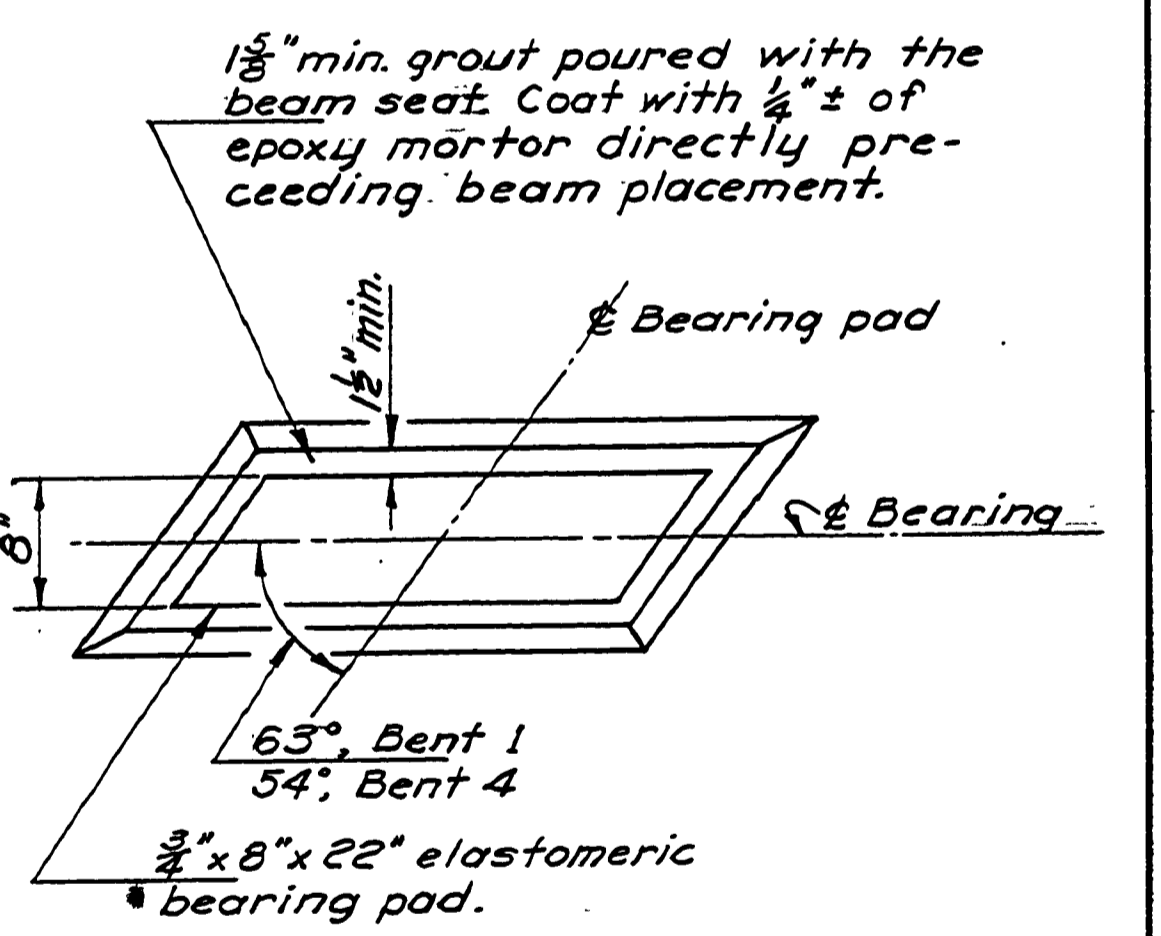
TYPICAL SECTION
Scale: 3/4" = 1'-0"



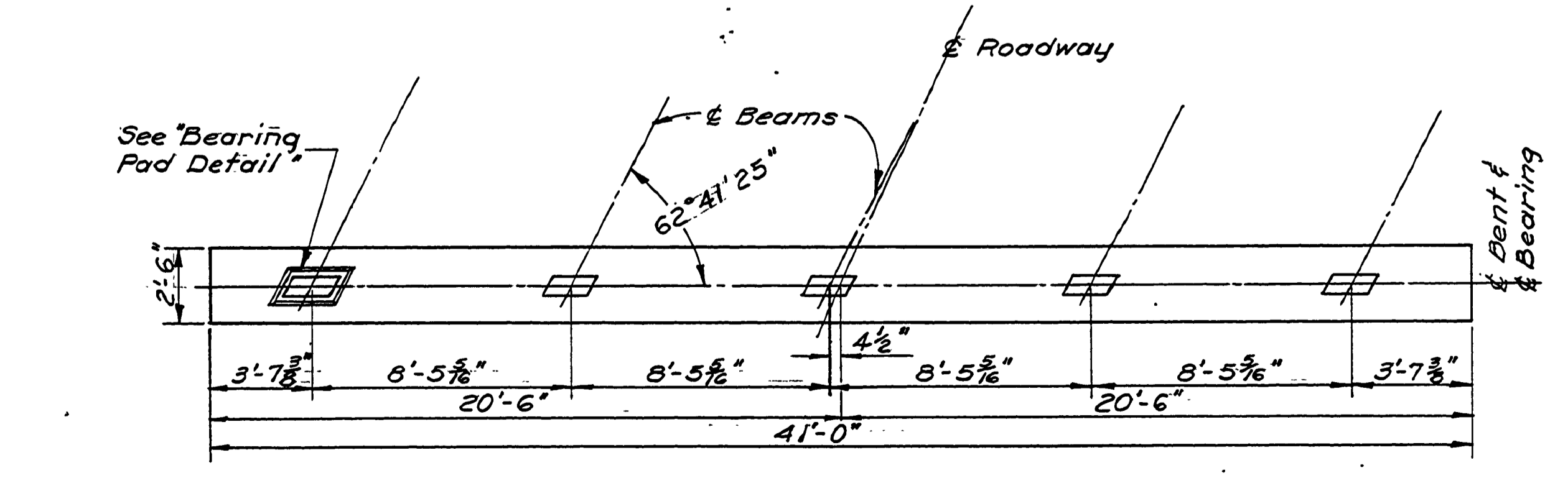
ELEVATION - BENT 1
Scale: 1/4" = 1'-0"



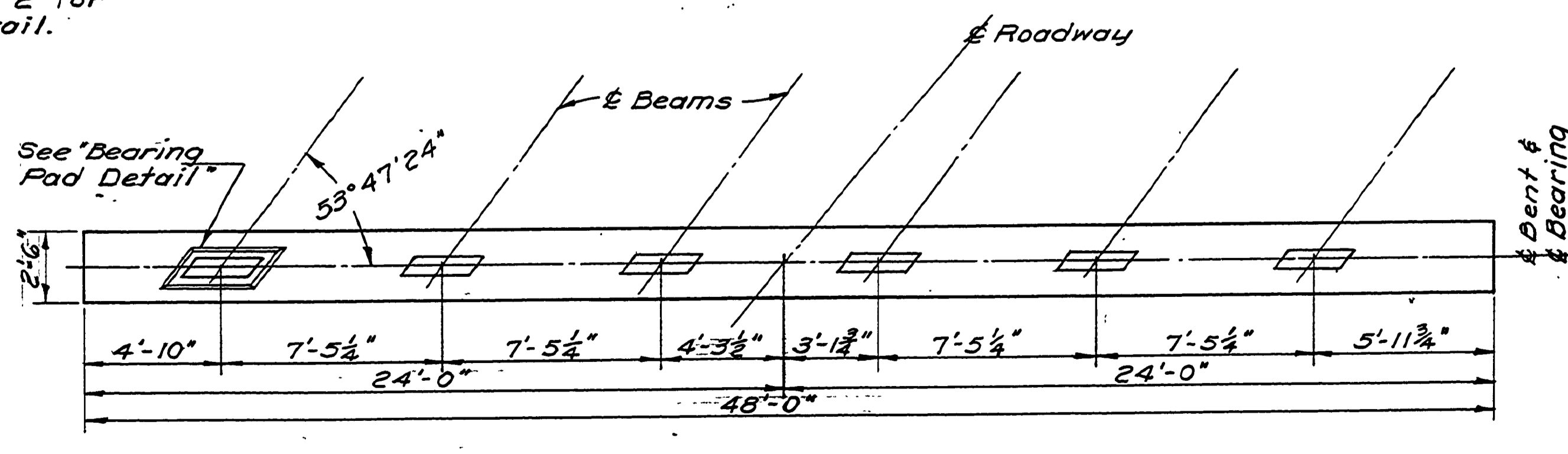
ELEVATION - BENT 4
Scale: 1/4" = 1'-0"



BEARING PAD DETAIL
Scale: 1" = 1'-0"



PLAN OF CAP - BENT 1
Scale: 1/4" = 1'-0"



PLAN OF CAP - BENT 4
Scale: 1/4" = 1'-0"

Note:
See Dwg. No. 2 for
Pile Tip Detail.

OREGON BRIDGE ENGINEERING COMPANY CONSULTING ENGINEERS EUGENE, OREGON			
DEL RIO OVERCROSSING OF THE S.P.R.R. FOR DOUGLAS COUNTY, OREGON			
BENT 1 & 4 DETAILS			
DRN. R.C.	DATE 3-11-68	PROJECT NO. 8-3	DWG. NO.
CID	DATE	FILE NO. 334	6.0E8

Gr. Rd. #115 - S.P.R.R. OVERCROSSING sht. 6 of 8