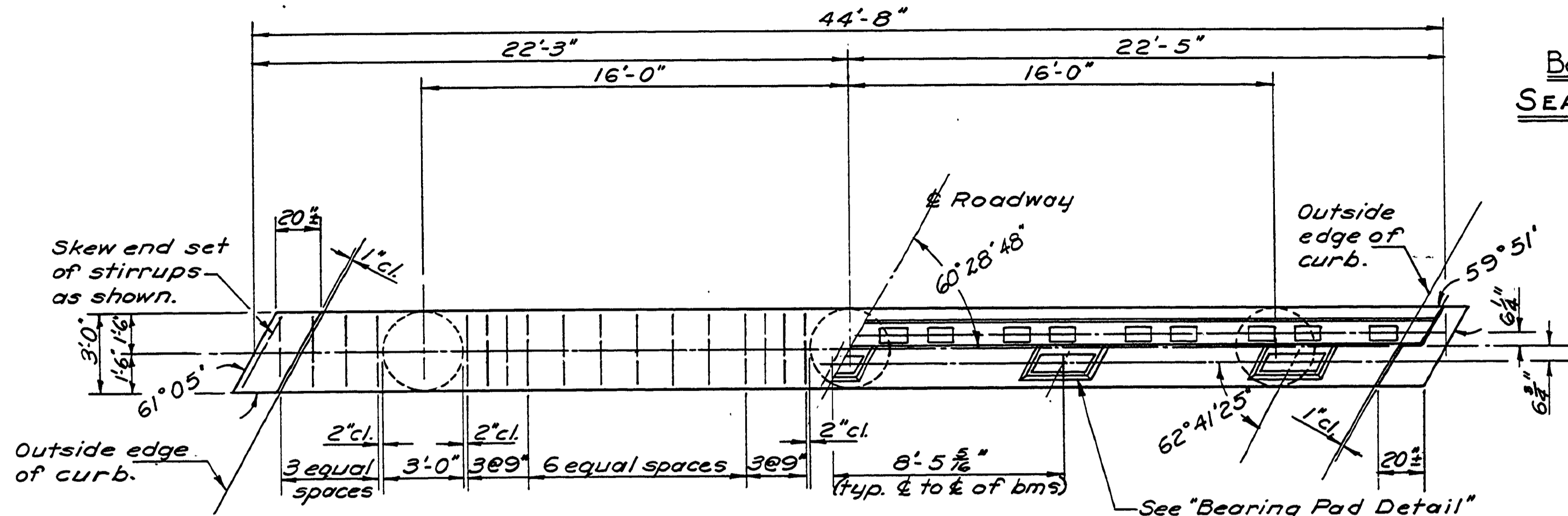


PLAN
Scale: 1/4" = 1'-0"

Note: Elevations shown are top of future AC Wearing Surface.

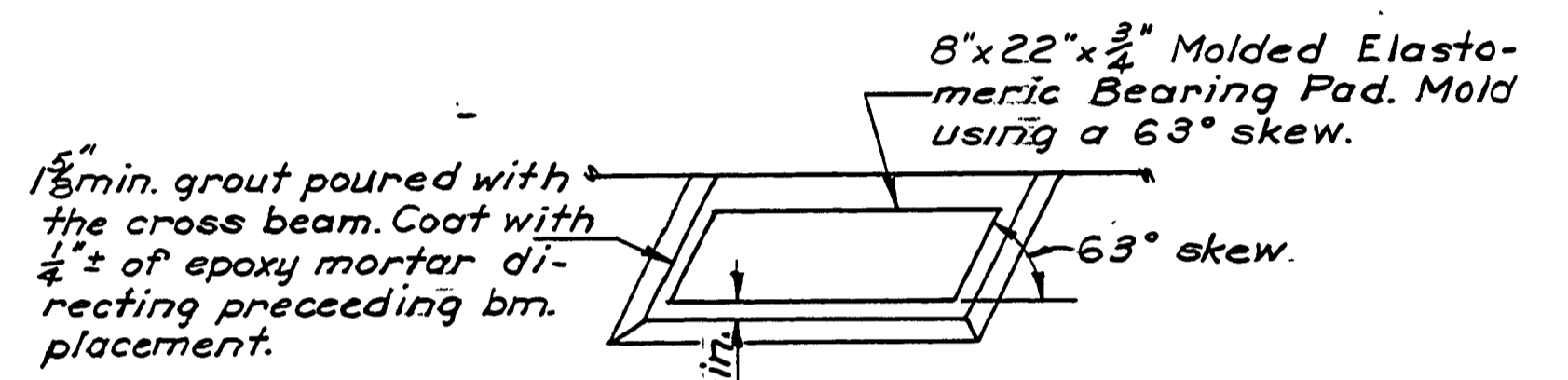


PLAN OF CROSS BEAM
Scale: 1/4" = 1'-0"

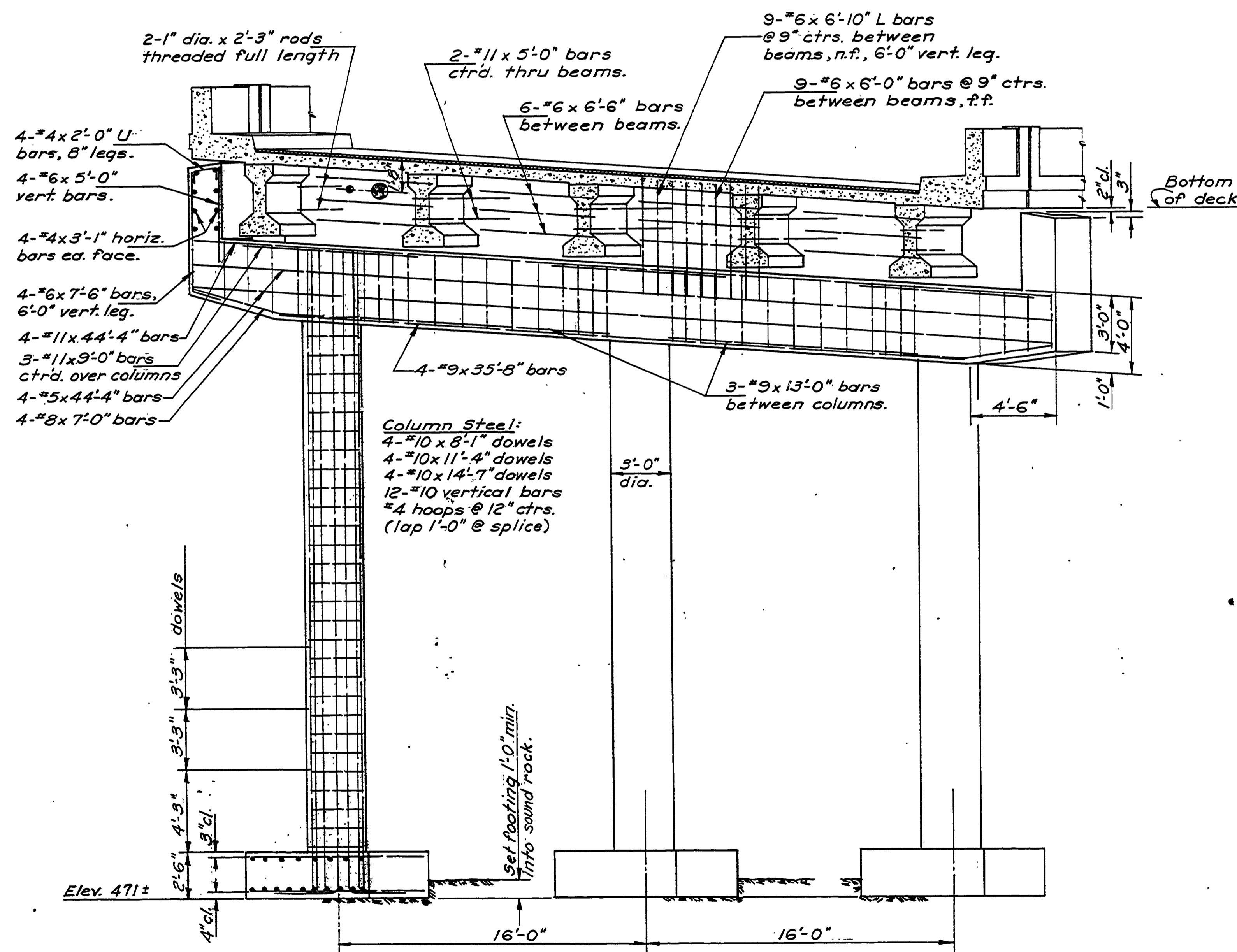
BOX BEAM - BEAM SEAT ELEVATIONS

Elevations shown are top of grout pads @ gutter line. The grout pad shall be a straight grade as set by these elevations.

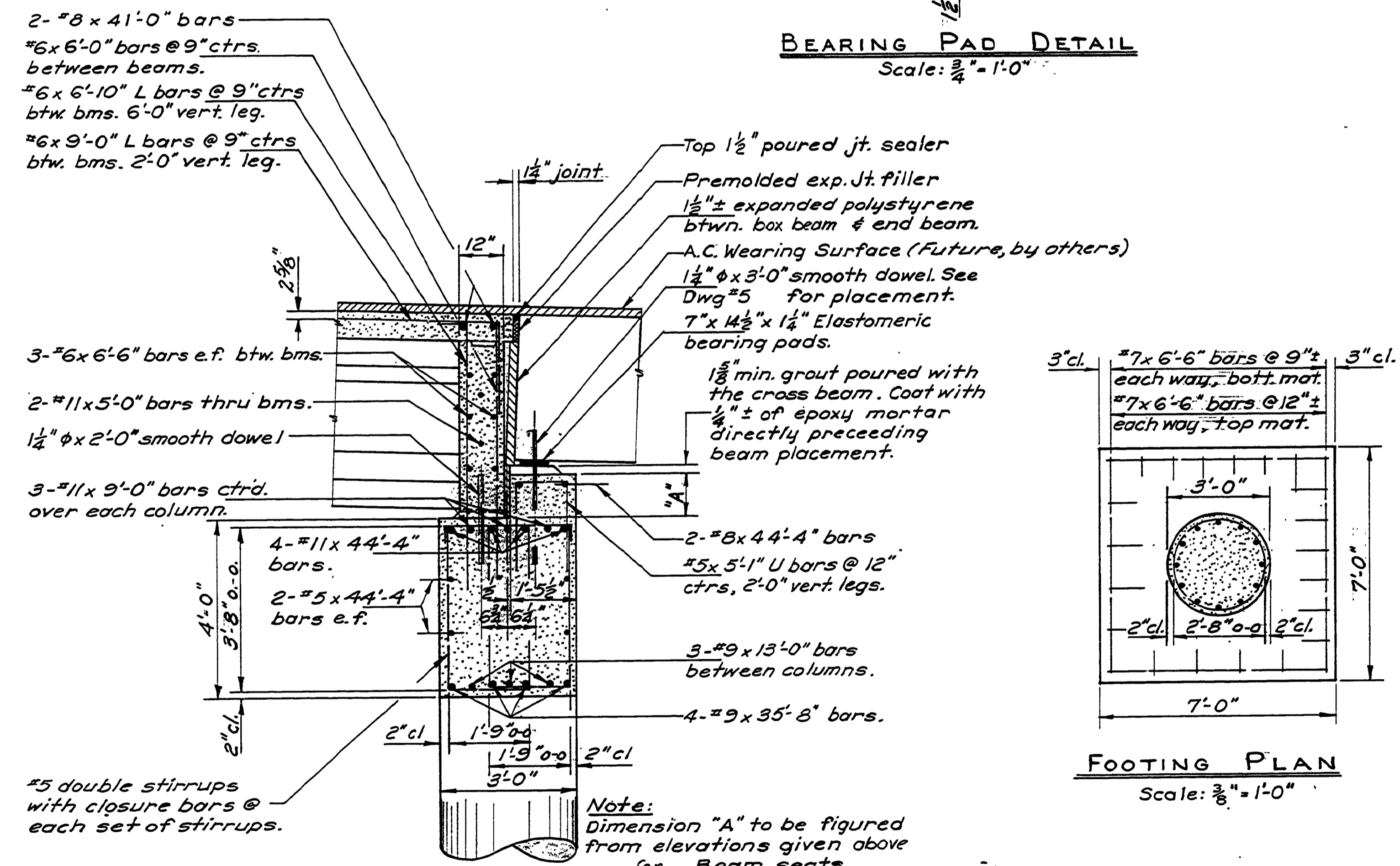
Bent 2	Bent 3
Rt. 504.51	Rt. 503.11
Lt. 507.0	Lt. 505.83



BEARING PAD DETAIL
Scale: 3/4" = 1'-0"



ELEVATION
Scale: 1/4" = 1'-0"



SECTION THRU BENT
Scale: 1/2" = 1'-0"

FOOTING PLAN
Scale: 3/8" = 1'-0"

OREGON BRIDGE ENGINEERING COMPANY CONSULTING ENGINEERS EUGENE, OREGON			
DEL RIO OVERCROSSING OF THE S.P.R.R. FOR DOUGLAS COUNTY, OREGON			
BENT 2 DETAILS			
DRN R.C.	DATE 3-16-68	PROJECT NO. 8-3	DWG NO.
CID	DATE	FILE NO. 335	7.0E8