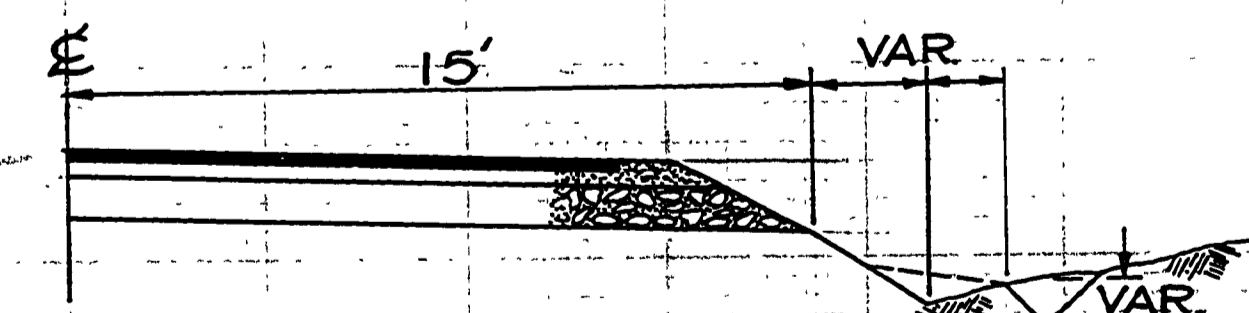
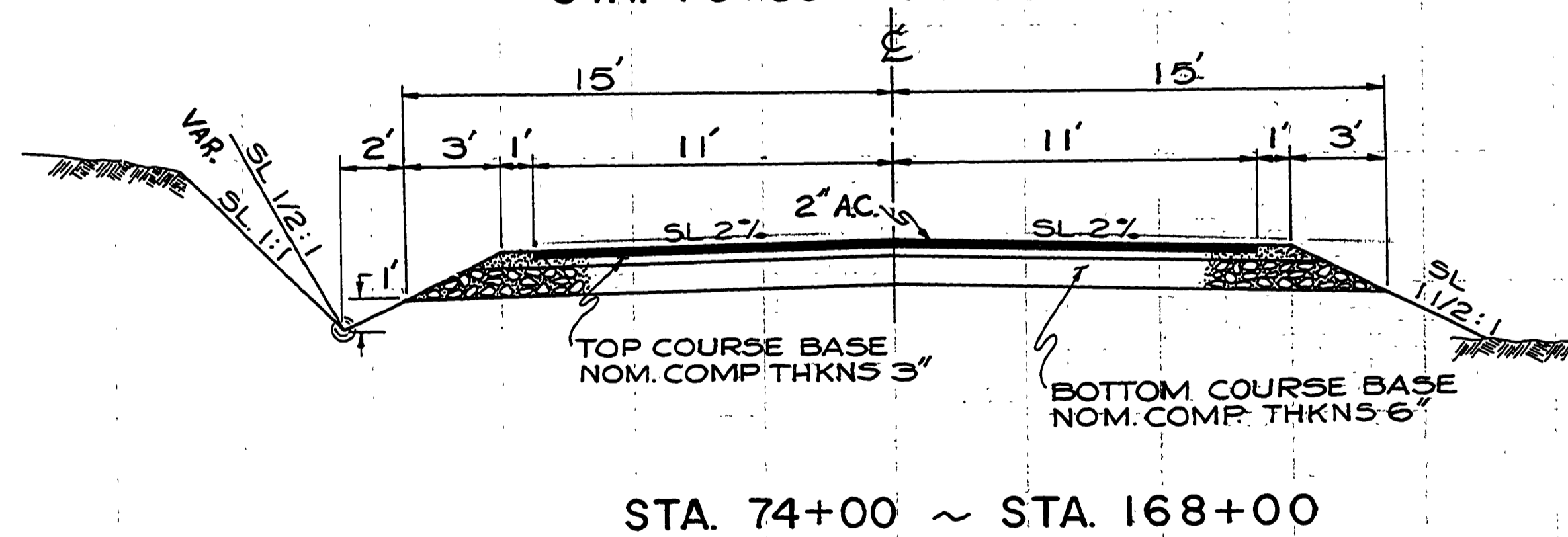
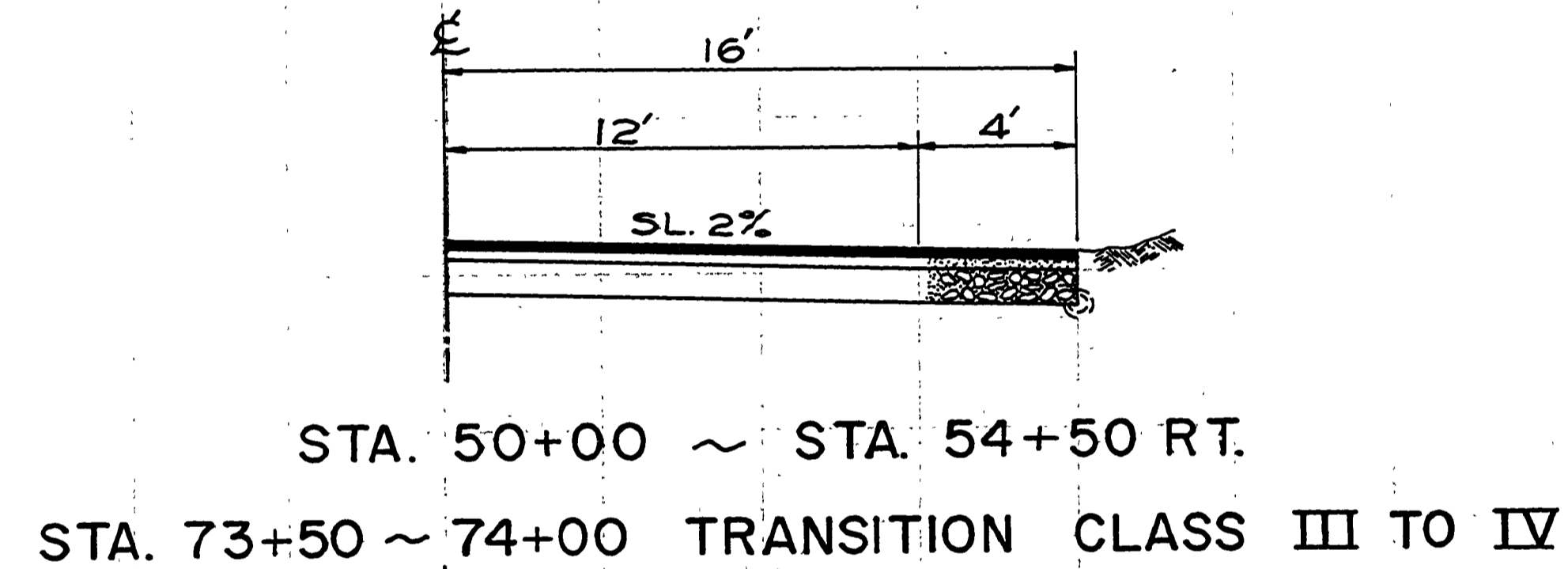
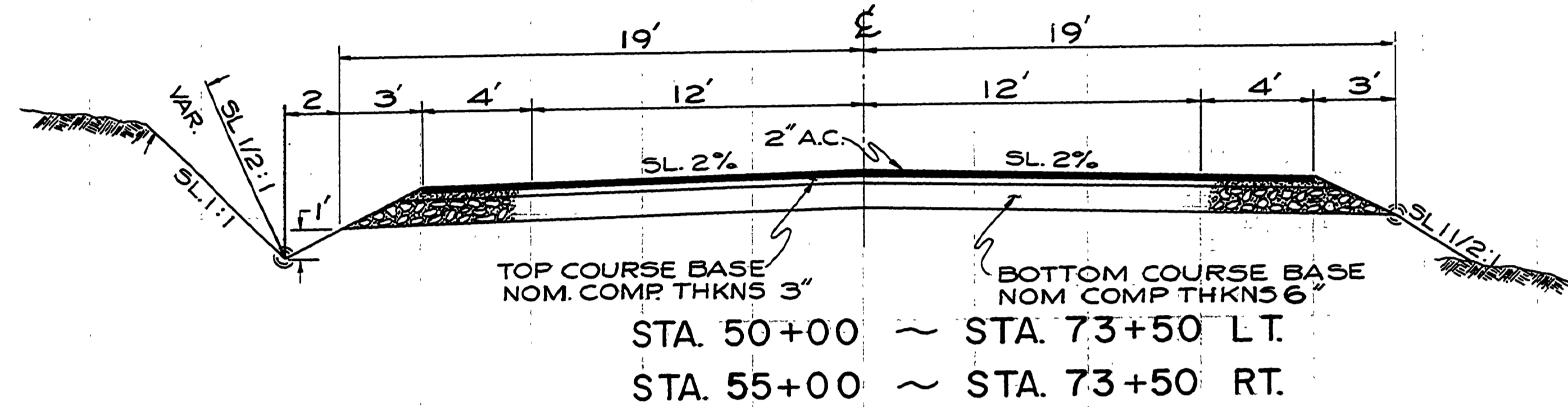
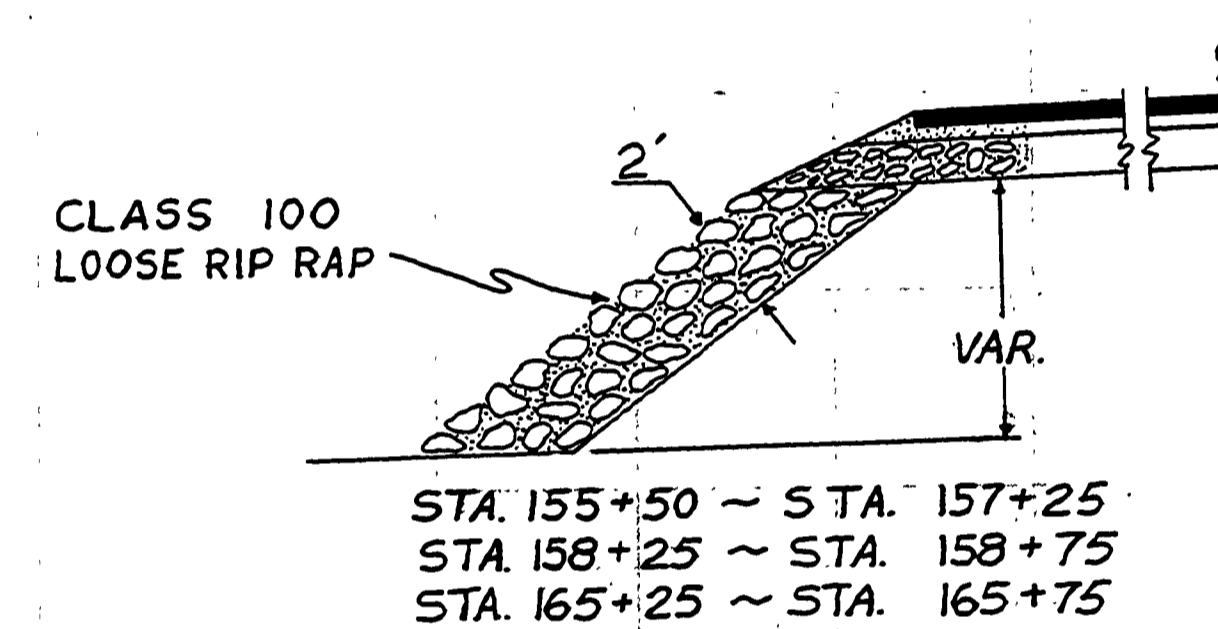
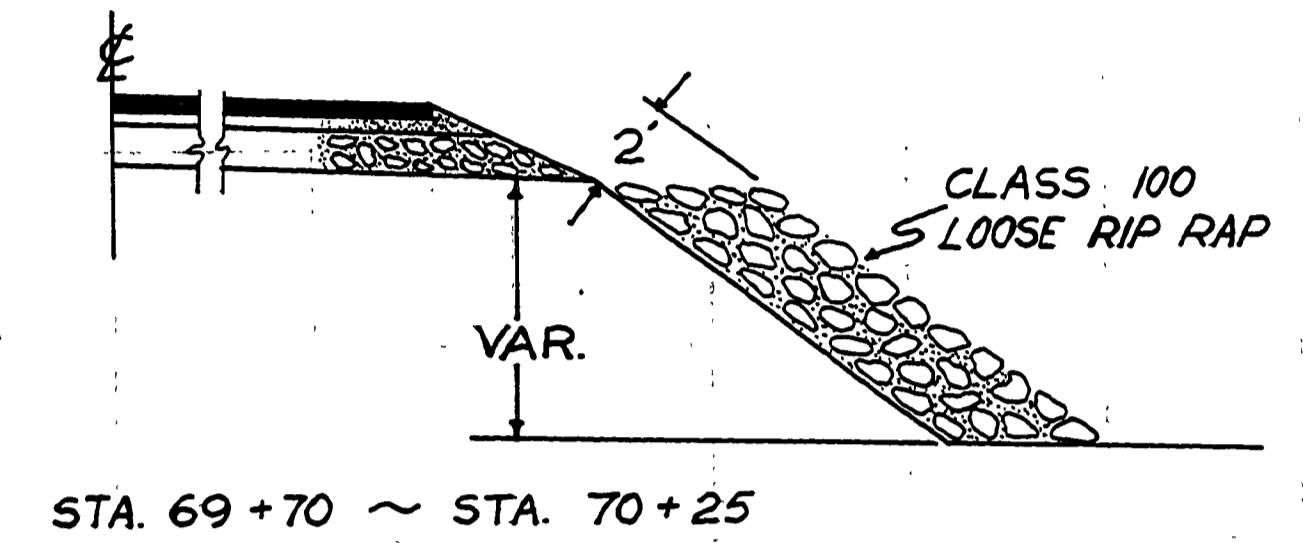


TYPICAL SECTIONS

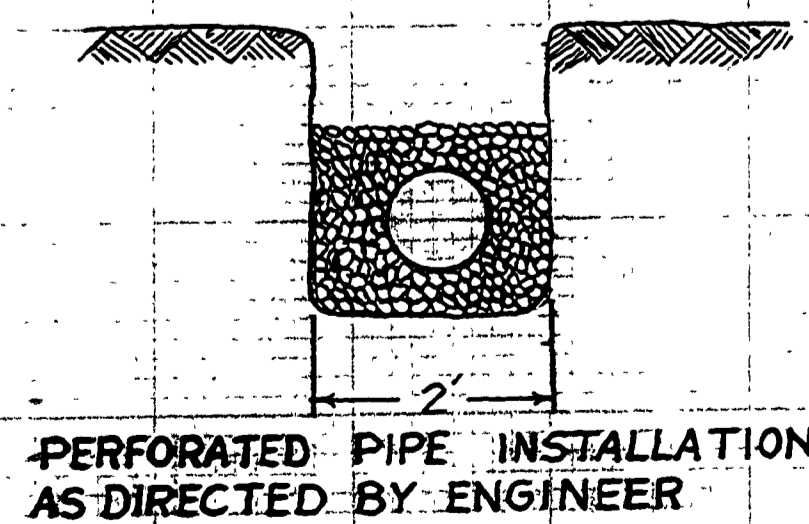
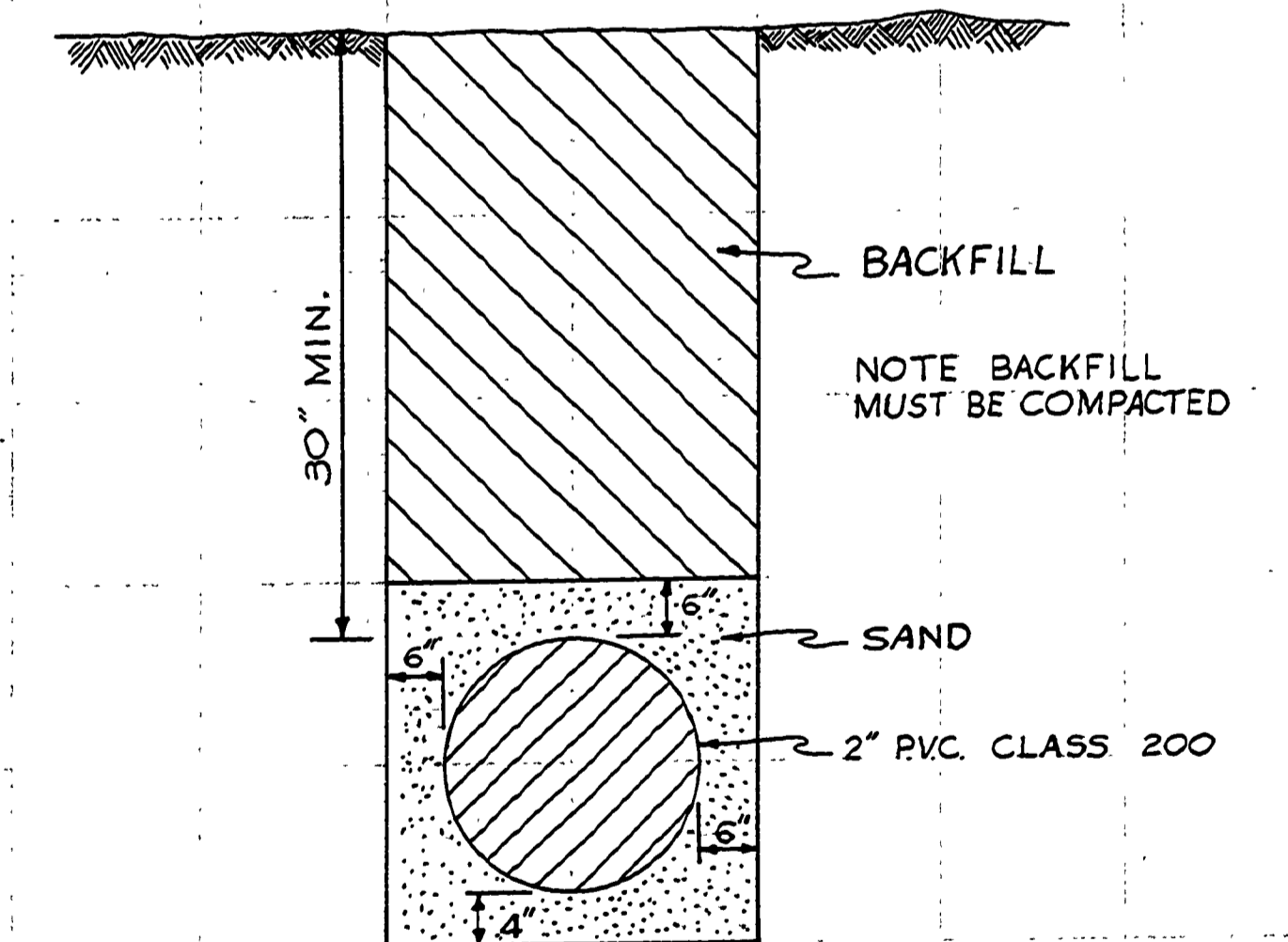
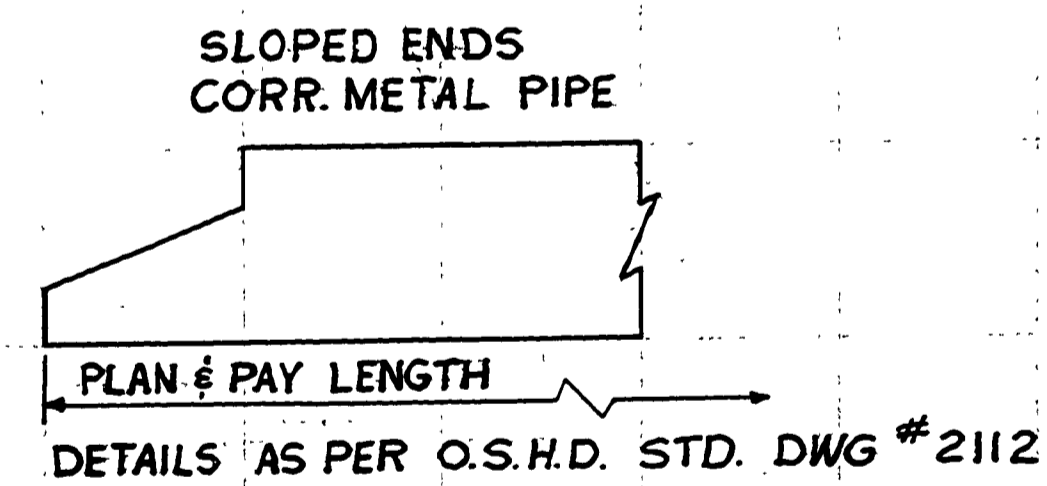
FILED
RECEIVED
JUL 15 1972
COUNTY SURVEYOR
DOUGLAS COUNTY, ORE.



NOTE: SLOPES OF CUT BANKS TO BE 1:1 UNLESS OTHERWISE NOTED ON TOP PORTION OF PROFILE SECTION OF ROAD PLANS.



TYPICAL FOR WATER LINE INSTALLATION
STA. 63+00 — STA. 74+00 LT. SIDE



NOT REVISED
AS CONSTRUCTED

DOUGLAS COUNTY ROAD DEPT
KENT CREEK ROAD #100
1972 SHEET 3
GEORGE E. GRUBB COUNTY ENGR.