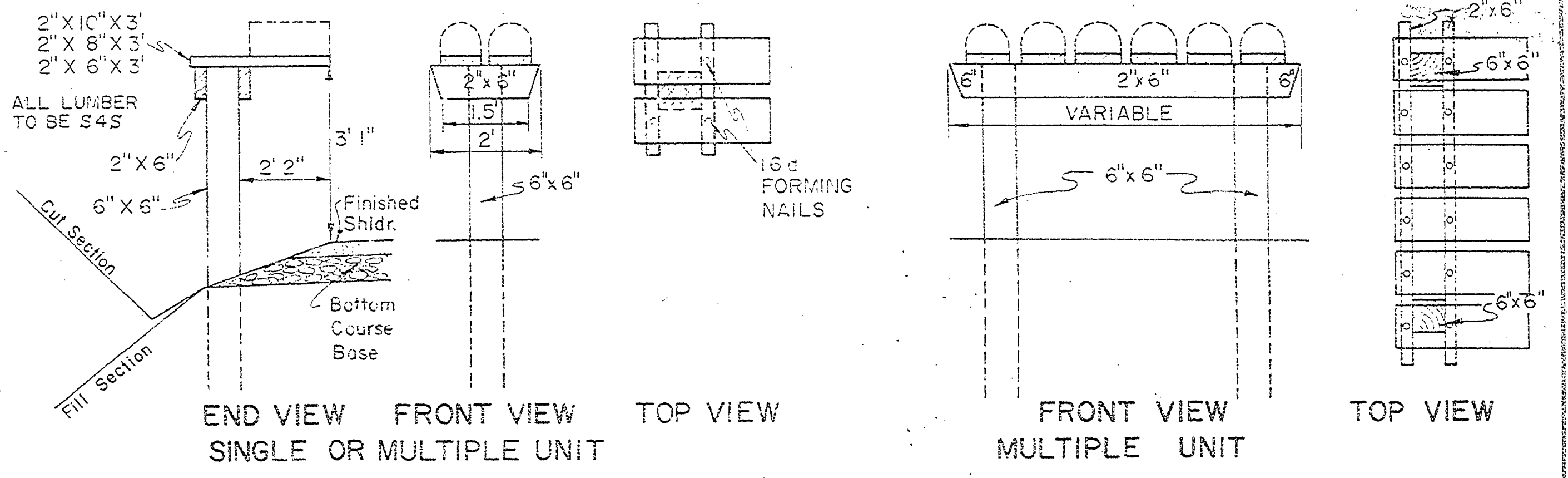


PIPE LIST, MAIL BOX STAND, DRIVEWAY TYPICALS & SLOPE STAKE EXAMPLE

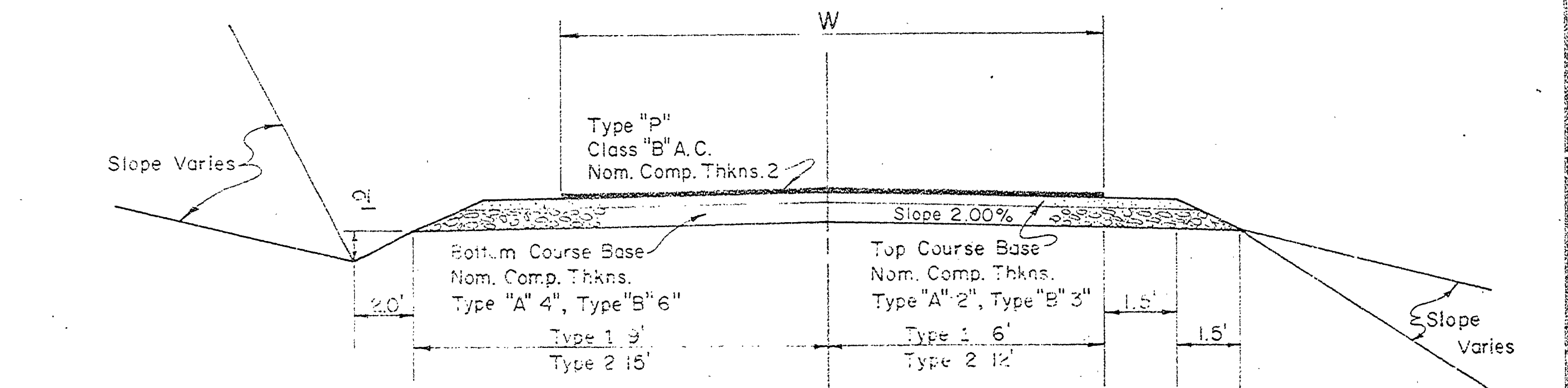
FILED
RECEIVED
JUL 15 1972
COUNTY SURVEYOR
DOUGLAS COUNTY, ORE.

STATION	DIAMETER	LENGTH	PIPE LIST						TRENCH EXC. CU. YDS.	REMARKS STRUTTED END TREATMENT, IMPERFECT TRENCH ETC.	
			ALUMINUM			GALV. STEEL					CONCRETE
			ANNULAR CORR. GAGE	HELICAL CORR. ASPHALT COATED	ANNULAR CORR. GAGE	HELICAL CORR. ASPHALT COATED	CLASS III	CLASS IV			
INCHES	FEET					Concrete pipe through 18" may be unreinforced if strength meets class 3 bearing requirements.					
58+60	18	50			16	16			16		
61+45	12	34							8	DIW RT	
62+80	12	65							14	CONDUIT	
64+64	12	34							8	DIW RT	
65+07	18	44			16	16			14		
70+15	18	60			16	16			19		
80+40	24	50							22		
80+55	12	34							8	DIW RT	
81+70	18	40							13		
86+10	18	33			16	16			11		
89+35 to 95+50	6	615			16	16			142	PERF. PIPE	
89+35	18	42							13		
95+70	18	40							13		
100+75	18	40							13		
104+50	12	34							8	DIW LT	
106+40	18	40			16	16			13		
112+55	18	40			16	16			13		
119+03	24	40							18		
125+05	18	40							13		
128+05	18	45							15		
133+25	18	40			16	16			13		
135+02	18	36			16	16			12		
138+00	18	42							42		
144+30	18	40							13		
149+40	12	40							9	DIW LT	
149+80	12	40							9	DIW RT	
150+10	12	40			16	16			9	DIW LT	
151+60	66	40			10				72	SLOPED ENDS	
151+85	12	40			16	16			9	DIW RT	
152+25	12	40							9	DIW LT	
155+60	18	40							13		
161+10	18	40			16	16			13		
163+50	12	34			16	16			8	DIW LT	

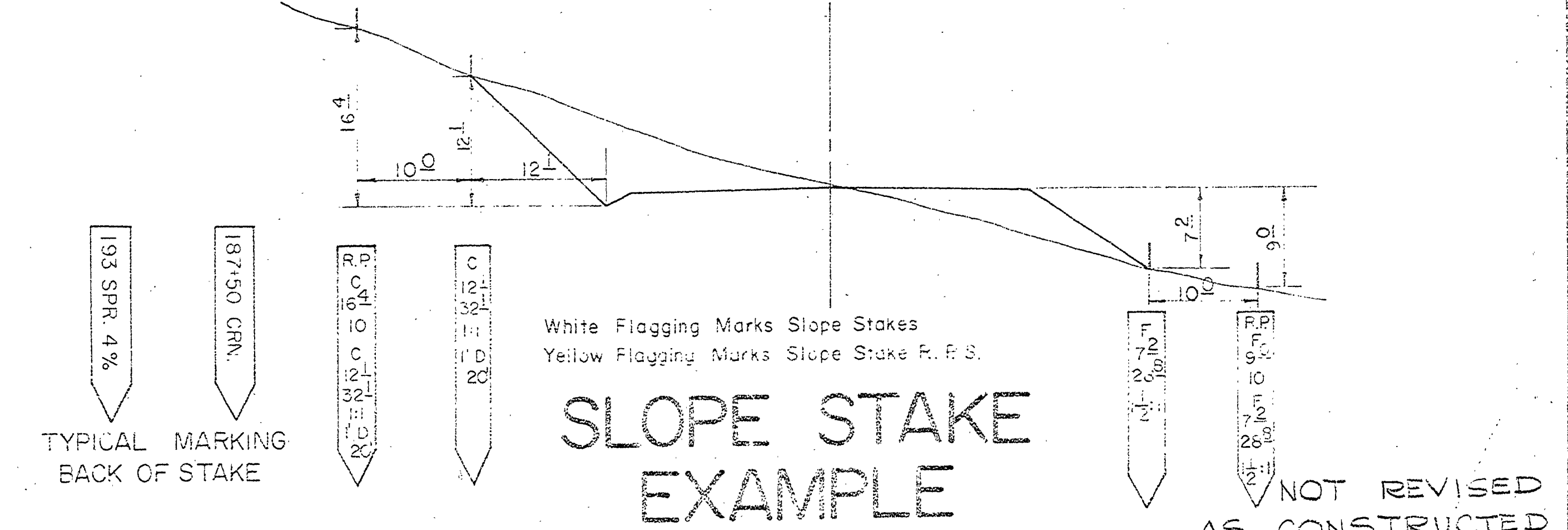
NOTE: PIPE LENGTHS & LOCATIONS TO BE VERIFIED IN FIELD.



TYPICAL MAIL BOX STAND



RURAL DRIVEWAY & ROAD APPROACH STANDARD



PLAN AND PAY LENGTH

ARCH TYPE
C.M.P. CULVERTS

1. PLAN AND PAY LENGTH FOR ARCH AND CIRCULAR PIPE SIZE WITH BEVELED ENDS, IS TO THE BOTTOM OF PIPE
2. MULTI-PLATE PLAN AND PAY LENGTH IS CENTER LINE PAYMENT.
DRIVEWAY RADII ARE FROM SHOULDER OF ROAD.

NOT REVISED AS CONSTRUCTED

JOB NAME KENT CREEK
JOB NUMBER RD 100
DATE 1972 SHT 4
Douglas County Road Dept.
PIPE LIST, MAIL BOX STAND, RURAL DRIVEWAY & SLOPE STAKE EX.
1972 Std. Dwng. 1

Q. Rd # 100 1972 Sht. 4

0000MAIL