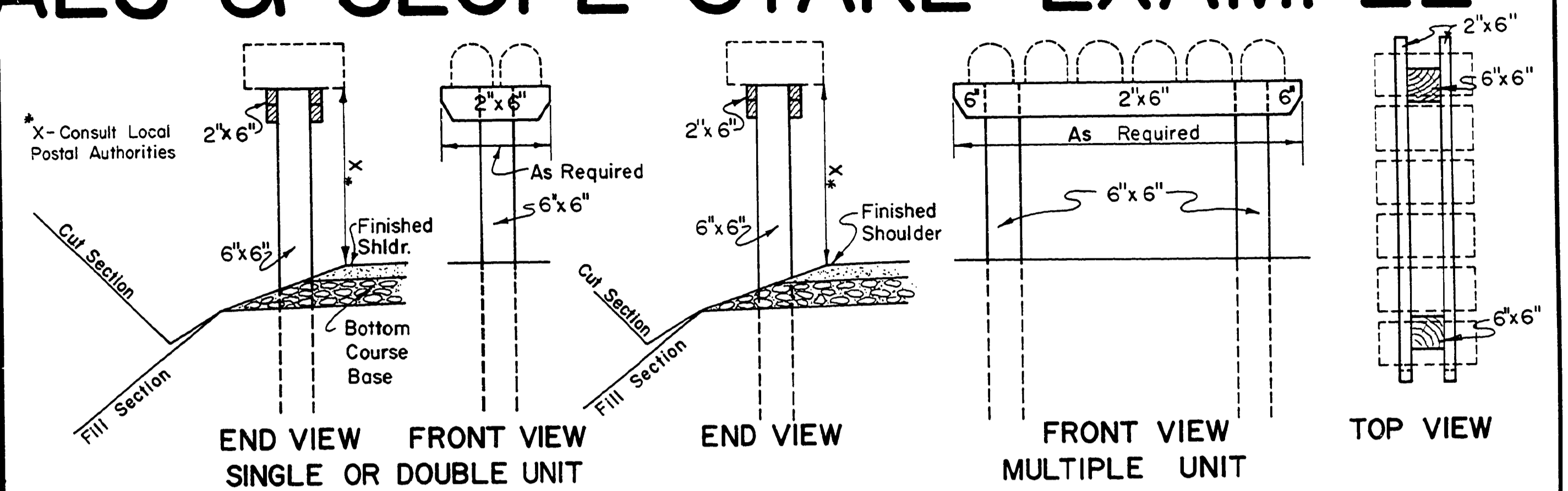


PIPE LIST, MAIL BOX STAND, DRIVEWAY TYPICALS & SLOPE STAKE EXAMPLE

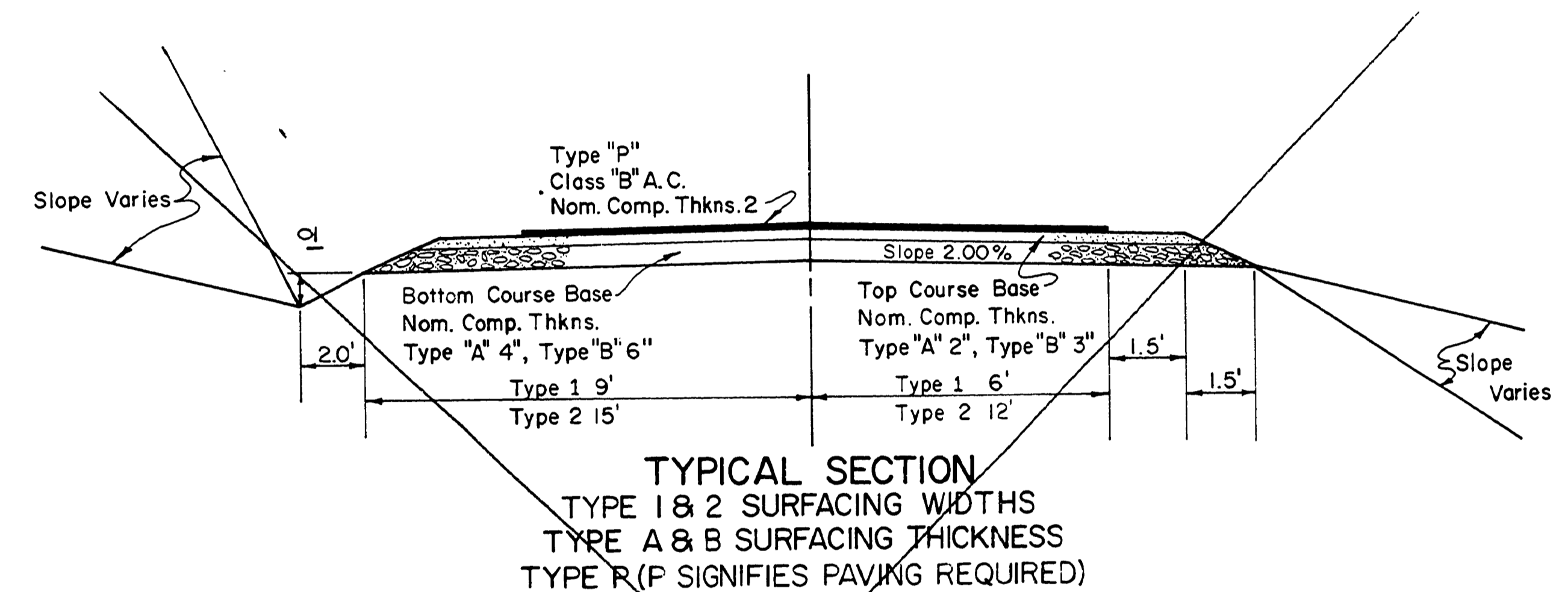
STATION	DIAMETER	LENGTH	PIPE LIST						TRENCH EXC. CU. YDS.	REMARKS STRUTTED END TREATMENT, IMPERFECT TRENCH ETC.	
			ALUMINUM			GALV. STEEL					CONCRETE CLASS III, V
			ANNULAR CORR. GAGE	HELICAL CORR.	ASPHALT COATED	ANNULAR CORR. GAGE	HELICAL CORR.	ASPHALT COATED			
47+76	18"	33'						/	B WALL	49	
47+76-49+10	12"	194'						/	B WALL	68	
49+70-50+00	8"	35'							STD.	9	
49+70-51+75	12"	205'						/	B WALL	66	
49+70	8"	19'							STD.	4	
51+75	12"	22'						/	B WALL	6	
PARKER ROAD											
0+90 Rt	12"	26'						/	B Wall	6	D/W
0+90 Lt	12"	26'						/	B Wall	6	D/W
1+50 Lt	12"	26'						/	B Wall	6	D/W

NOTE: PIPE LENGTHS & LOCATIONS TO BE VERIFIED IN FIELD.

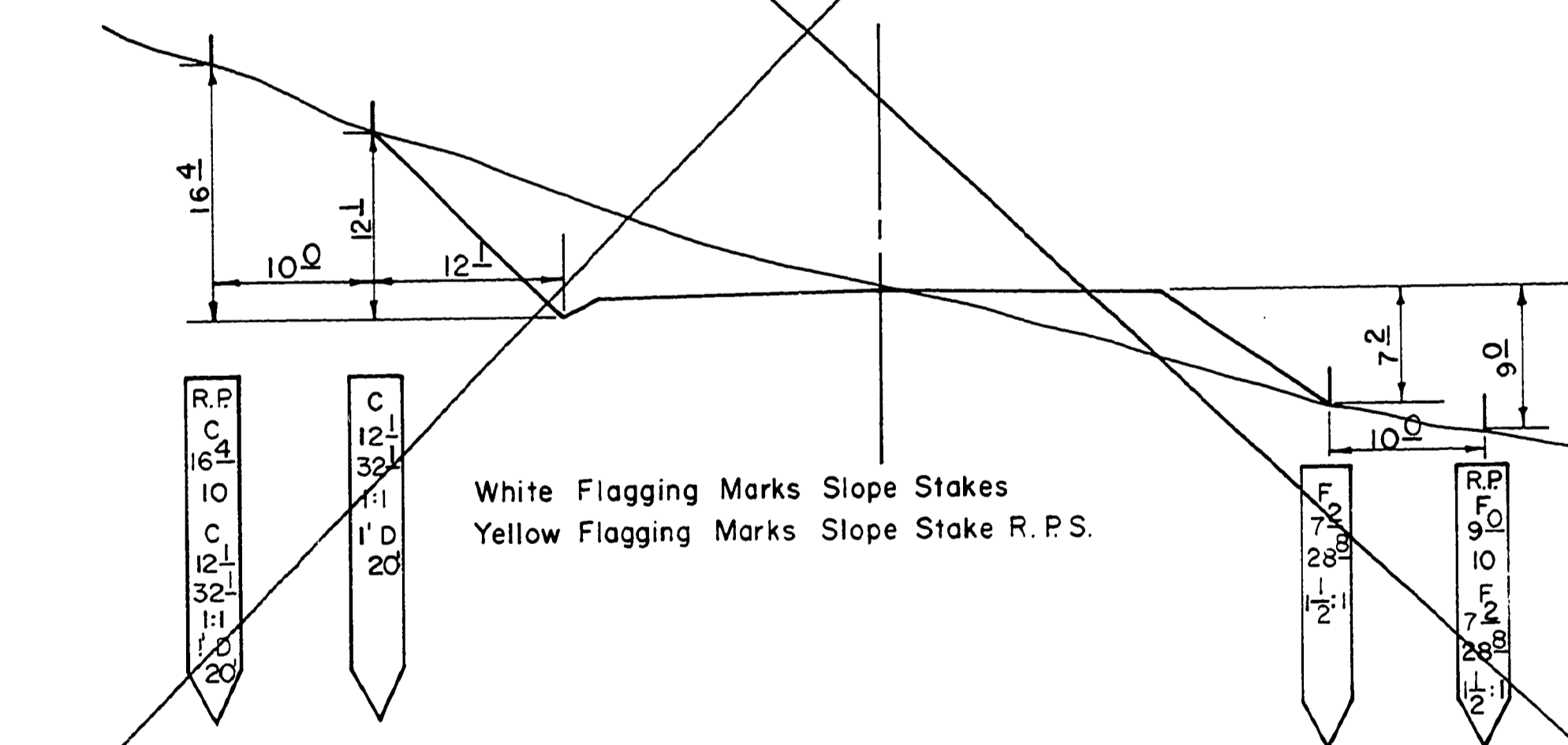


NOTE: All Posts to be of Cedar, Posts to be Set a Minimum of 24" Below the Surface of the Ground.

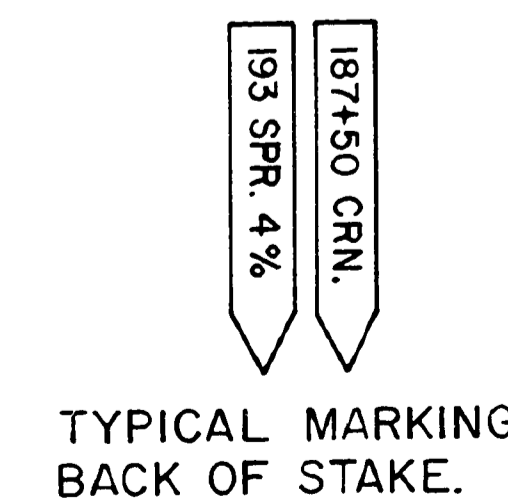
TYPICAL MAIL BOX STAND



RURAL DRIVEWAY & ROAD APPROACH STANDARD

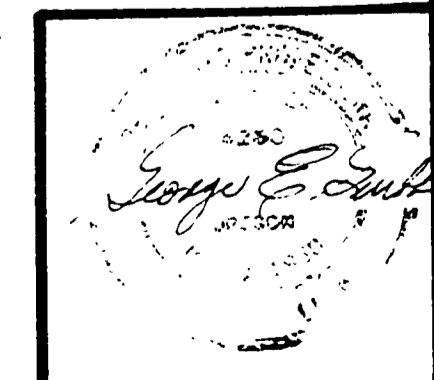


SLOPE STAKE EXAMPLE



TYPICAL MARKING BACK OF STAKE.

JOB NAME	NEWTON CREEK
JOB NUMBER	84
DATE	SEPT. 1969
Douglas County Road Dept.	
PIPE LIST, MAIL BOX STAND RURAL DRIVEWAY & SLOPE STAKE EX.	
Date: May 1969 Std. Dwg. 1	



Sept '69
RD #84

0000TYP1