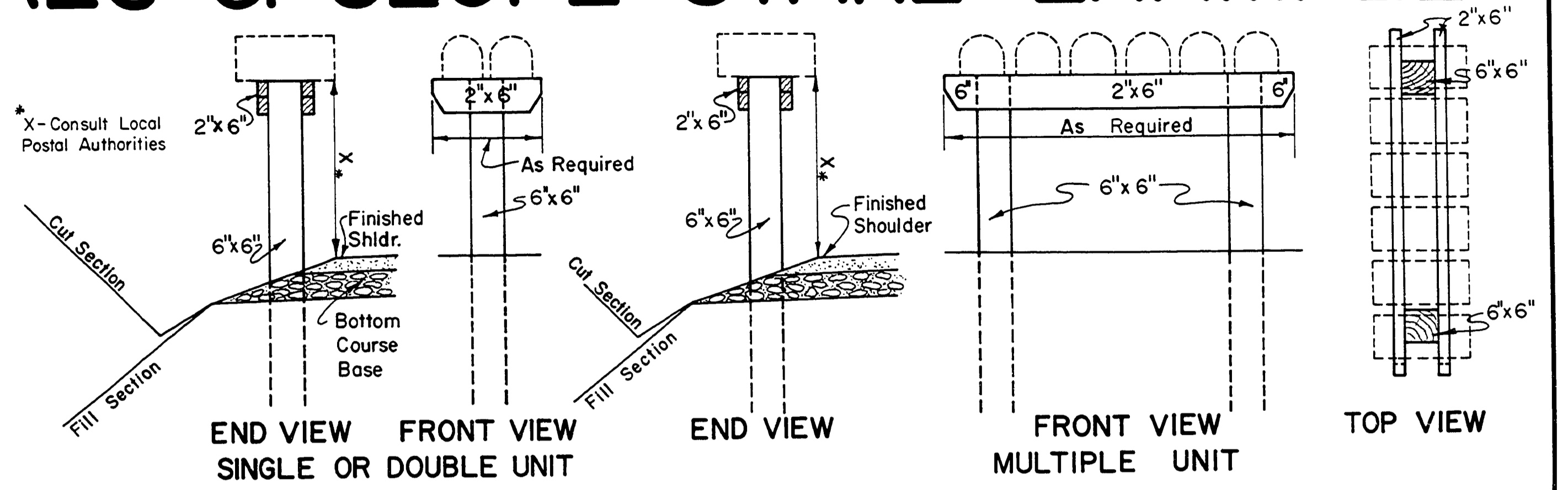


# PIPE LIST, MAIL BOX STAND, DRIVEWAY TYPICALS & SLOPE STAKE EXAMPLE

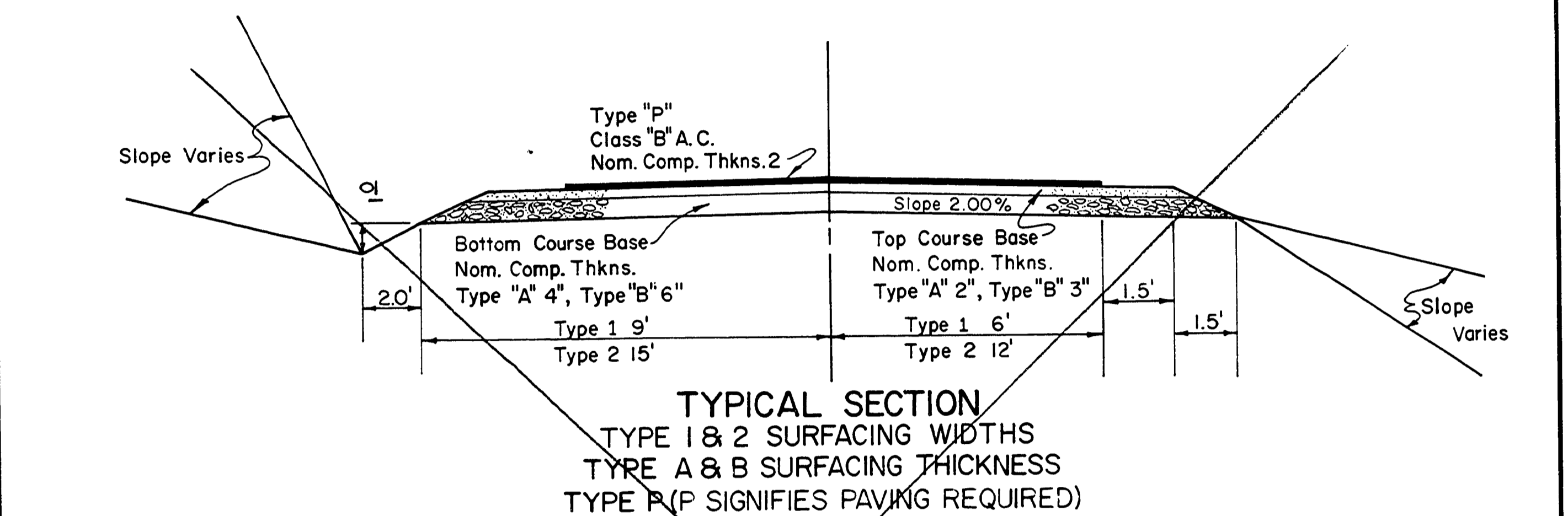
STATION	DIAMETER	LENGTH	MATERIALS						TRENCH EXC. CU. YDS.	REMARKS STRUTTED END TREATMENT, IMPERFECT TRENCH ETC.	
			ALUMINUM			GALV. STEEL					CONCRETE
			ANNULAR CORR. GAGE	HELICAL CORR.	ASPHALT COATED	ANNULAR CORR. GAGE	HELICAL CORR.	ASPHALT COATED			CLASS III, IV, V
6+20	24"	57'						✓	B WALL	8	
6+20 - 7+05	12"	84'						✓	B WALL	40	
7+05 - 7+50	12"	56'						✓	B WALL	12	
7+50 - 7+55	12"	43'						✓	B WALL	31	
9+10 - 9+25	65" x 40"	56'						✓	12 GA.	48	
9+25 - 10+55	65" x 40"	130'						✓	12 GA.	112	
7+10 - 7+50	18"	45'						✓	3 WALL	4	
7+50 - 10+10	8"	70'							STD.	15	
7+50 - 13+50	18"	400'						✓	B WALL	135	
13+50	8"	37'							STD.	8	
13+50 - 17+50	18"	400'						✓	B WALL	163	
17+50 - 17+64	8"	14'							STD.	3	
17+50 - 17+52	12"	45'						✓	B WALL	13	
17+52 - 17+78	12"	26'						✓	B WALL	7	
20+38 - 20+63	8"	25'							STD.	6	
20+63 - 20+81	12"	26'						✓	B WALL	10	
20+81 OUTLET	36"	180'						✓	B WALL	143	
20+81 - 23+22	30"	241'						✓	B WALL	143	
23+22 - 23+35	8"	36'							STD.	9	
23+22 - 23+25	12"	15'						✓	B WALL	5	
23+25 - 25+50	12"	25'						✓	B WALL	6	
25+22 - 24+81	30"	157'						✓	B WALL	143	
24+81	6"	8'	✓	✓				✓	STD.	1	
24+81 - 26+05	12"	124'						✓	B WALL	45	
26+05 - 26+52	12"	48'						✓	B WALL	7	
27+85 - 28+15	8"	30'							STD.	16	
28+15	8"	10'							STD.	2	
28+15	18"	195'						✓	B WALL	78	
28+15 - 28+95	18"	95'						✓	B WALL	40	
28+95	18"	15'						✓	B WALL	7	
28+95 - 29+20	18"	25'						✓	B WALL	9	
28+95 - 30+90	12"	195'						✓	B WALL	68	
30+90	8"	37'							STD.	10	
32+51 - 32+70	12"	20'						✓	B WALL	7	
32+70	18"	224'						✓	B WALL	86	
32+70 - 32+65	12"	18'						✓	B WALL	7	
32+65 - 32+95	12"	30'						✓	B WALL	8	
32+70 - 35+00	12"	230'						✓	B WALL	102	
35+00	8"	37'							STD.	11	
35+00 - 37+00	12"	200'						✓	B WALL	56	
39+09	30"	230'						✓	B WALL	200	
39+09	24"	20'						✓	B WALL	10	
39+09 - 39+15	8"	6'							STD.	1	
39+09 - 40+25	18"	157'						✓	B WALL	76	
40+65	8"	36'							STD.	10	
40+65 - 40+78	12"	16'						✓	B WALL	5	
40+78 - 41+10	12"	32'						✓	B WALL	8	
40+65 - 43+15	12"	250'						✓	B WALL	64	
43+15 - 45+25	12"	210'						✓	B WALL	57	
47+18 - 47+50	12"	24'						✓	B WALL	7	
47+50 - 47+16	12"	40'						✓	B WALL	14	

NOTE: PIPE LENGTHS & LOCATIONS TO BE VERIFIED IN FIELD.

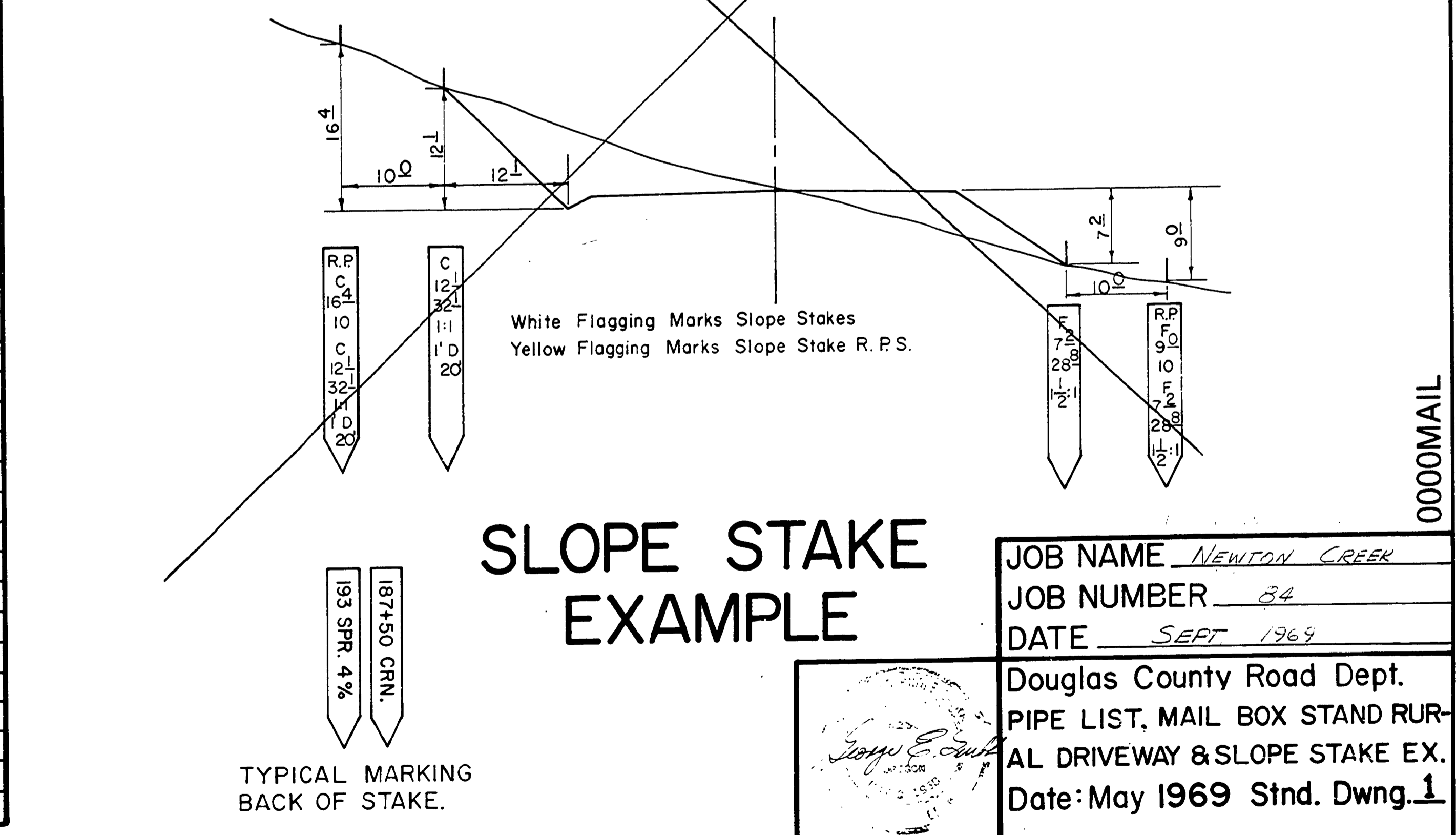


NOTE: All Posts to be of Cedar, Posts to be Set a Minimum of 24" Below the Surface of the Ground.

## TYPICAL MAIL BOX STAND



## RURAL DRIVEWAY & ROAD APPROACH STANDARD



JOB NAME	NEWTON CREEK
JOB NUMBER	84
DATE	SEPT 1969
Douglas County Road Dept.	
PIPE LIST, MAIL BOX STAND RURAL DRIVEWAY & SLOPE STAKE EX.	
Date: May 1969 Std. Dwg. 1	

27 #84