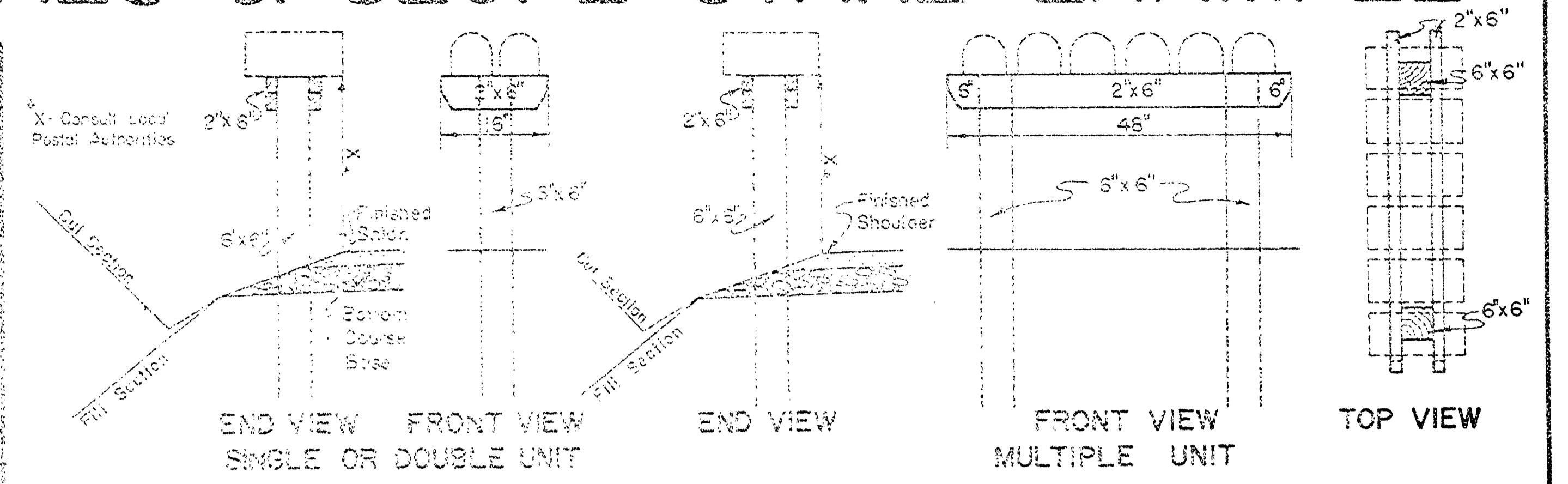


PIPE LIST, MAIL BOX STAND, DRIVEWAY TYPICALS & SLOPE STAKE EXAMPLE

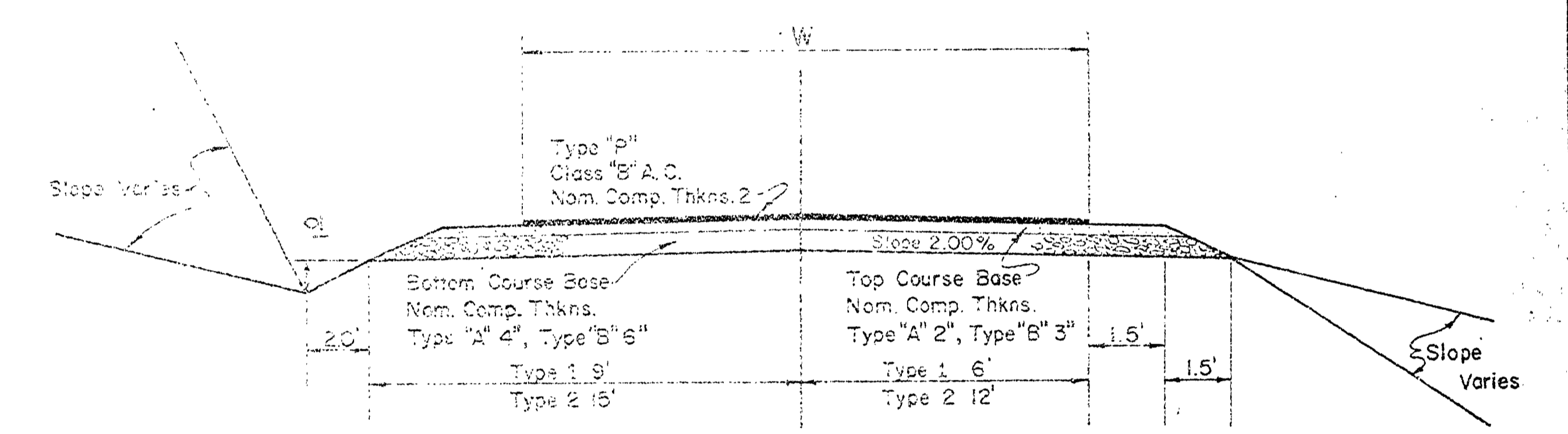
STATION	DIAMETER	LENGTH	MATERIALS				TRENCH EXC. CU. YDS.	REMARKS	
			ALUMINUM		GALV. STEEL				CONCRETE
			ANNULAR CORR. HELICAL CORR. ASPHALT COATED	ANNULAR CORR. HELICAL CORR. ASPHALT COATED	CLASS				
	INCHES	FEET							
24+80	12	34		16/16		8	D/W RT		
25+20	12	34		16/16		8	D/W RT		
26+05	29X18	60		16/16		24			
26+10	6	150		16/16		21	PERFORATED		
26+20	12	34		16/16		8	D/W RT		
26+95	12	34		16/16		8	D/W RT		
32+15	18	50		16/16		16			
32+98	12	34		16/16		8	D/W LT		
33+92	12	34		16/16		8	D/W RT		
36+05	12	34		16/16		8	D/W LT		
36+75	12	34		16/16		8	D/W LT		
40+05	12	34		16/16		8	D/W LT		
43+00	12	34		16/16		8	D/W LT		
43+40	12	34		16/16		8	D/W LT		
44+55	12	34		16/16		8	D/W RT		
45+90	12	34		16/16		8	D/W LT		
47+85	12	34		16/16		8	D/W LT		
51+00	30	130		12/12		75			
62+30	18	54		16/16		17			
65+60	18	46		16/16		14			
69+50	12	34		16/16		8	D/W LT		
L271+80	12	34		16/16		8	D/W RT		
L71+09	18	65		16/16		21			
81+25	12	42		16/16		9	D/W RT		
81+70	18	70		16/16		22			
85+50	12	34		16/16		8	D/W RT		
86+30	18	56		16/16		18			
90+60	12	34		16/16		8	D/W LT		
91+20	12	70		16/16		16	UNDER RD # 317		
91+90	18	50		16/16		16			
94+70	18	64		16/16		20			
98+35	36	110		10/10		81			
100+90	18	54		16/16		18			
108+05	18	50		16/16		16			
114+25	42	86		12/12		80	SLOPED ENDS		
120+50	18	56		16/16		18			
122+05	12	34		16/16		8	D/W LT		
123+00	24	52		16/16		23			
129+80	18	66		16/16		21			
134+40	36	136		10/10		101			
134+80	12	40		16/16		9	D/W RT		
145+95	18	50		16/16		17			
149+25	18	54		16/16		18			
149+70	12	58		16/16		13	D/W RT		
151+95	24	55		16/16		24			
158+40	12	30		16/16		7	D/W LT		
158+80	18	44		16/16		14			
160+90	12	30		16/16		8	D/W RT		
165+50	18	82		16/16		27			
171+20	18	54		16/16		18			
172+60	50X31	30		12/12		27	D/W RT		
172+95	50X31	60		12/12		53			

NOTE: PIPE LENGTHS & LOCATIONS TO BE VERIFIED IN FIELD.



NOTE: All Posts to be of Decor. Posts to be Set a Minimum of 24" Below the Surface of the Ground.

TYPICAL MAIL BOX STAND



TYPICAL SECTION
TYPE 1 & 2 SURFACING WIDTHS
TYPE A & B SURFACING THICKNESS
TYPE P (P SIGNIFIES PAVING REQUIRED)

RURAL DRIVEWAY & ROAD APPROACH STANDARD

