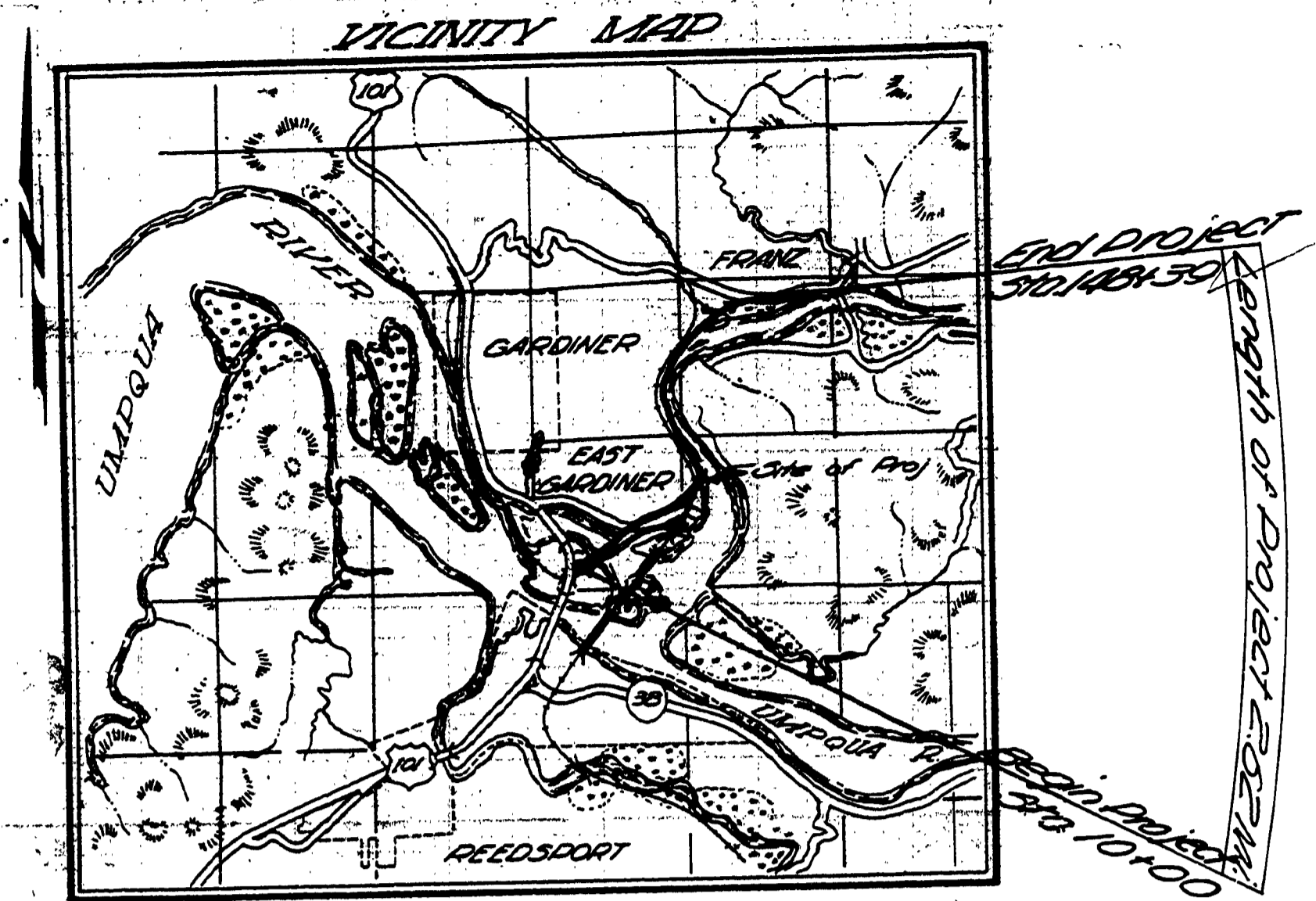


# DOUGLAS COUNTY ORE.

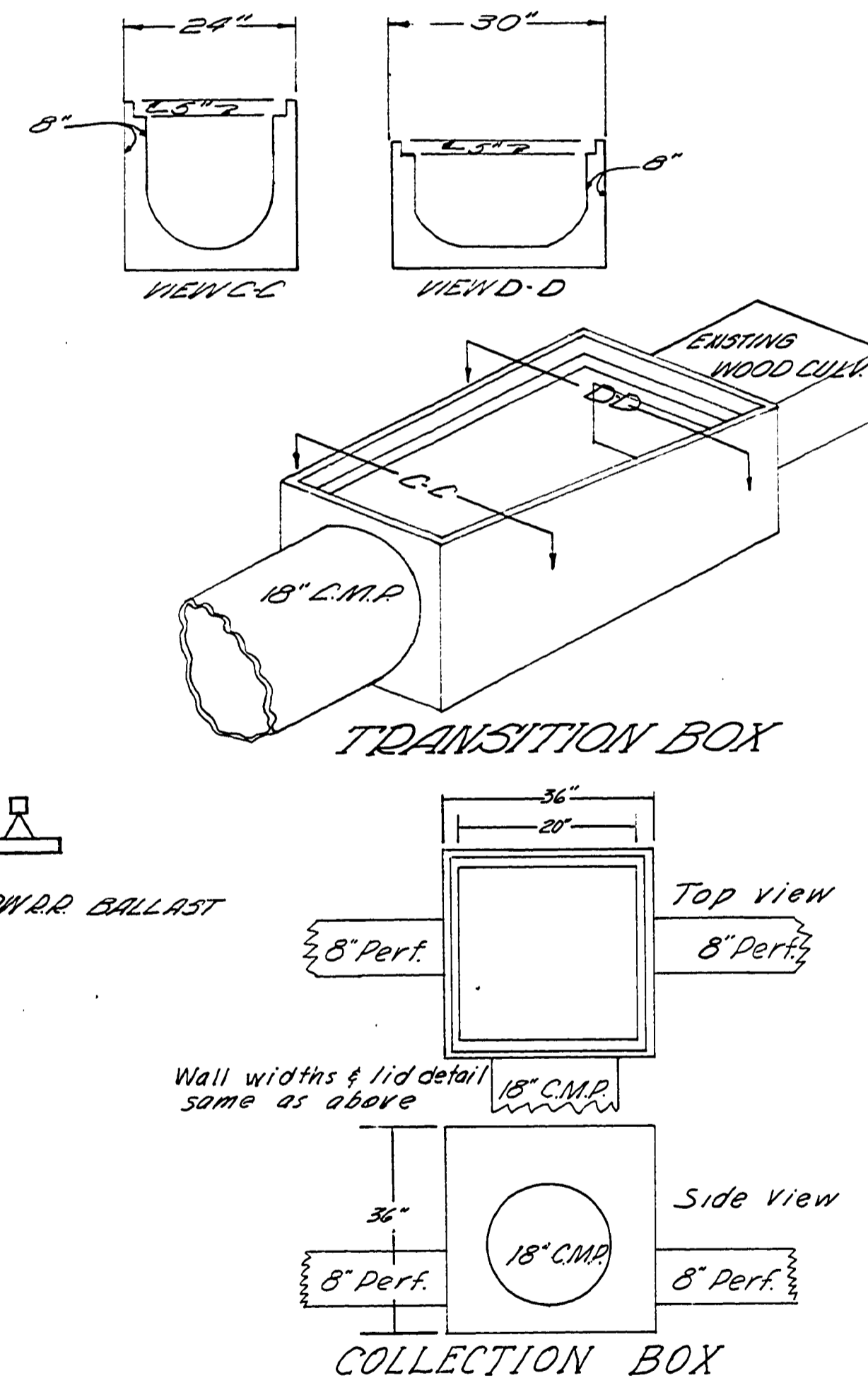
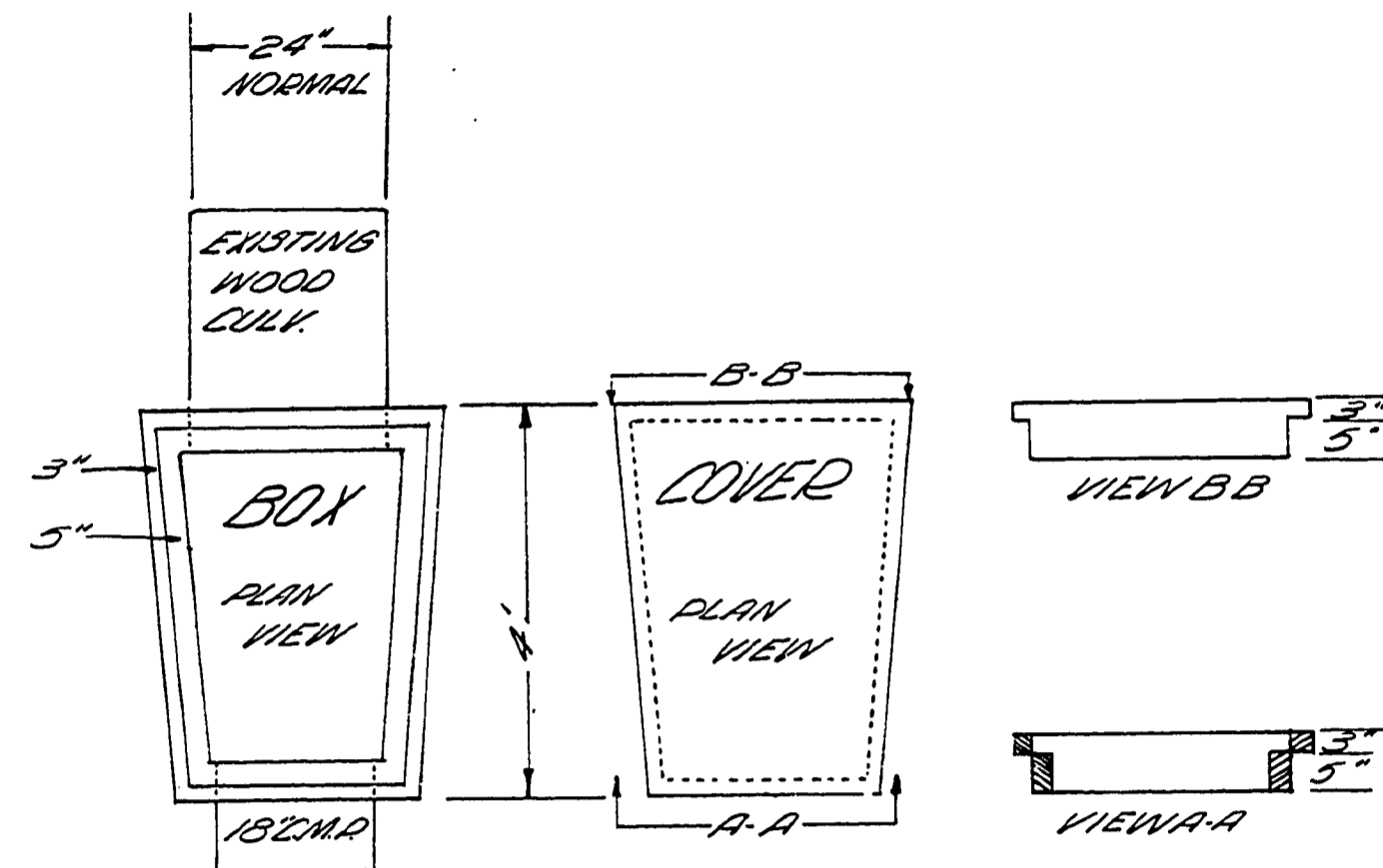
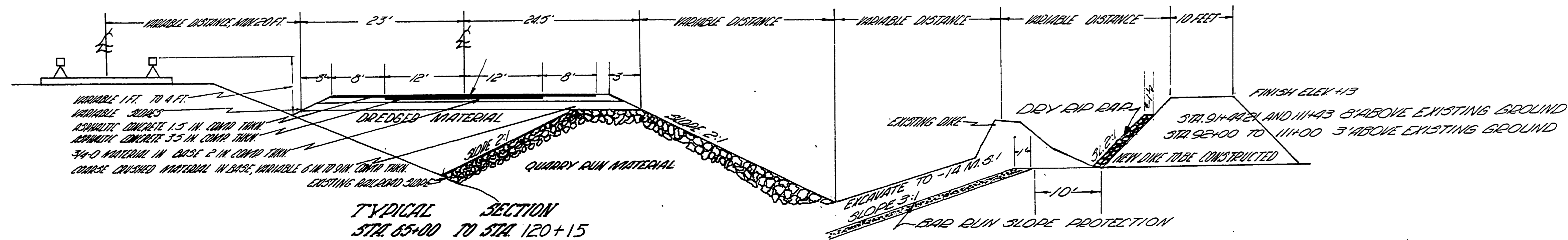
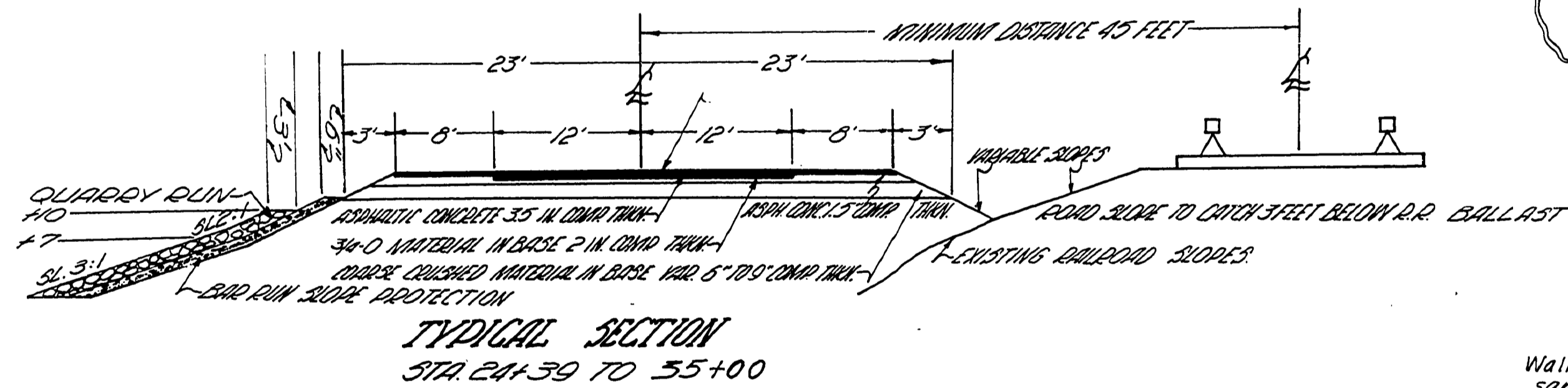
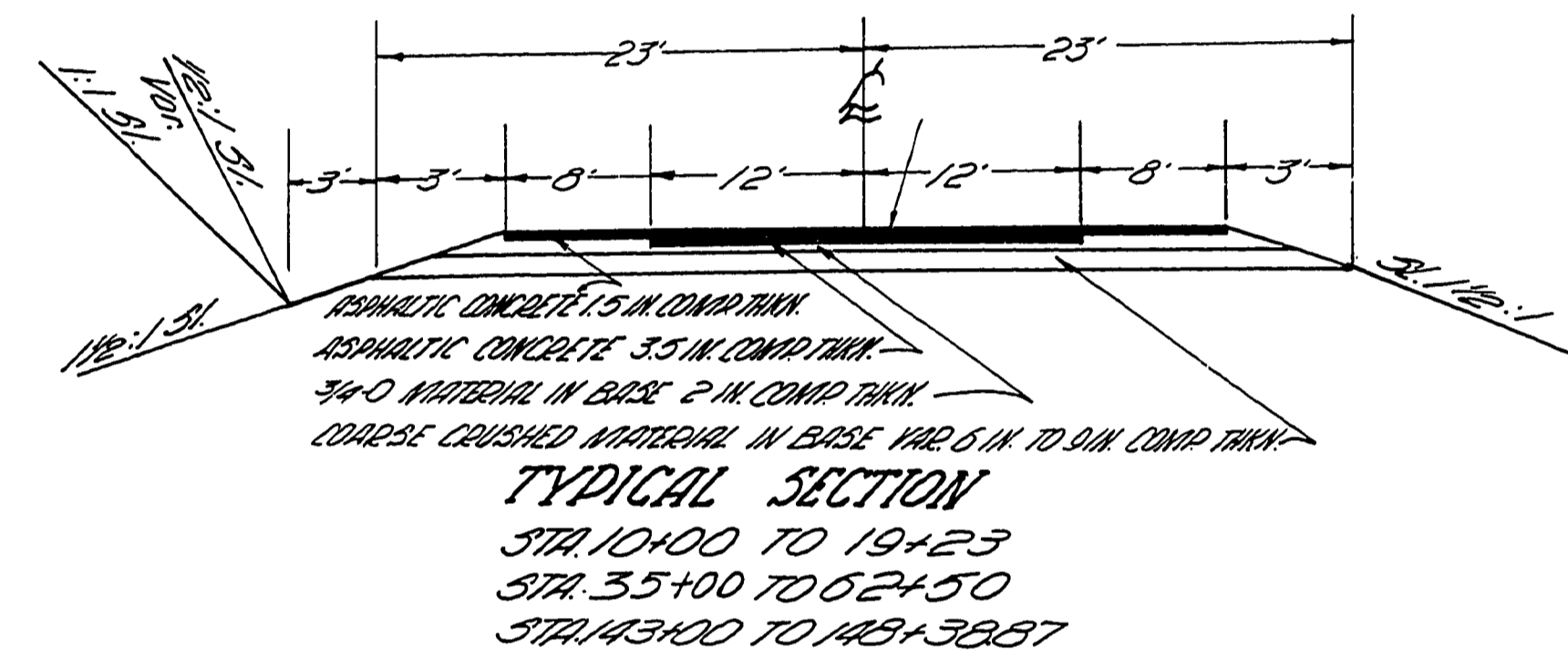
## PLANS FOR PROPOSED PROJECT

### SMITH RIVER ROAD NO. 48

### BELON ISLAND TO JACK FRANZ SLOUGH SEC.



ELEVATION M.S.L.  
 BASE O.S.H.D. BRASS CAP N.W. COR. SMITH RIVER BRIDGE  
 0-260-19-78 ELEVATION 14.03 M.S.L.



FILED  
 RECEIVED  
 MAY 22 1966  
 COUNTY SURVEYOR  
 DOUGLAS COUNTY, ORE.

Note: As Constructed Plans Not Complete

SHEET 1 OF 6

C.R.D. #48

Mar. '66  
 sht. 1 of 6

000001C

(107)