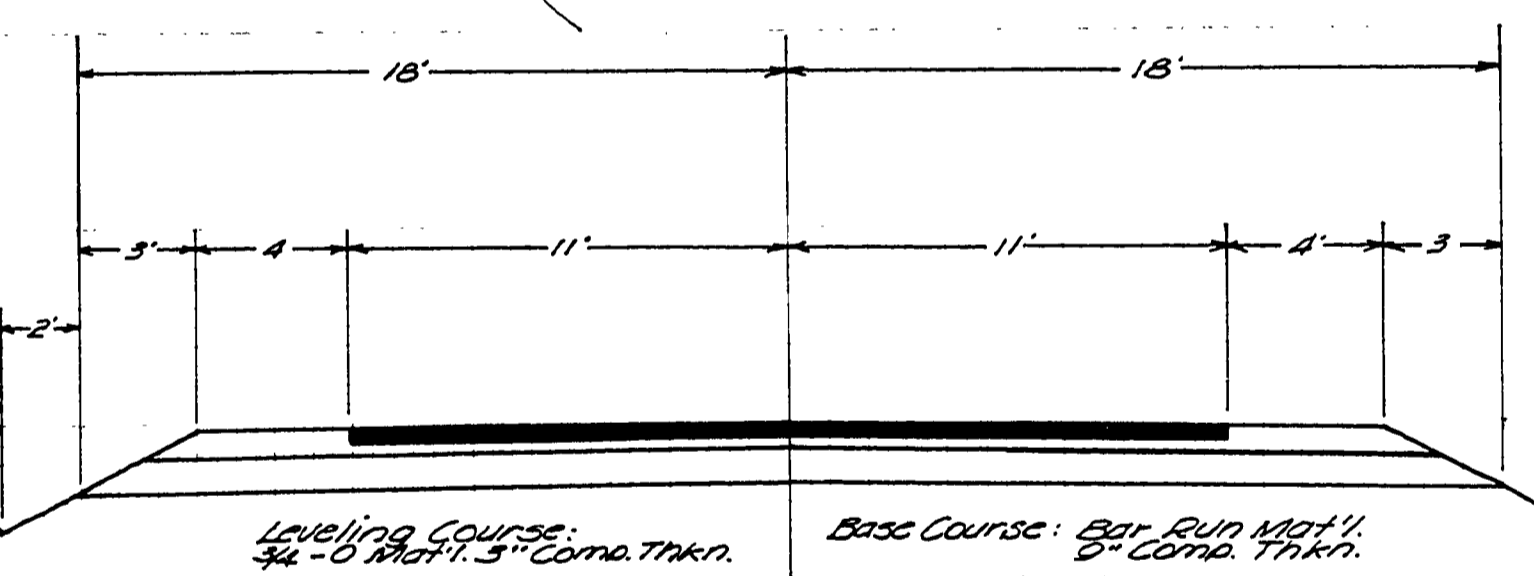
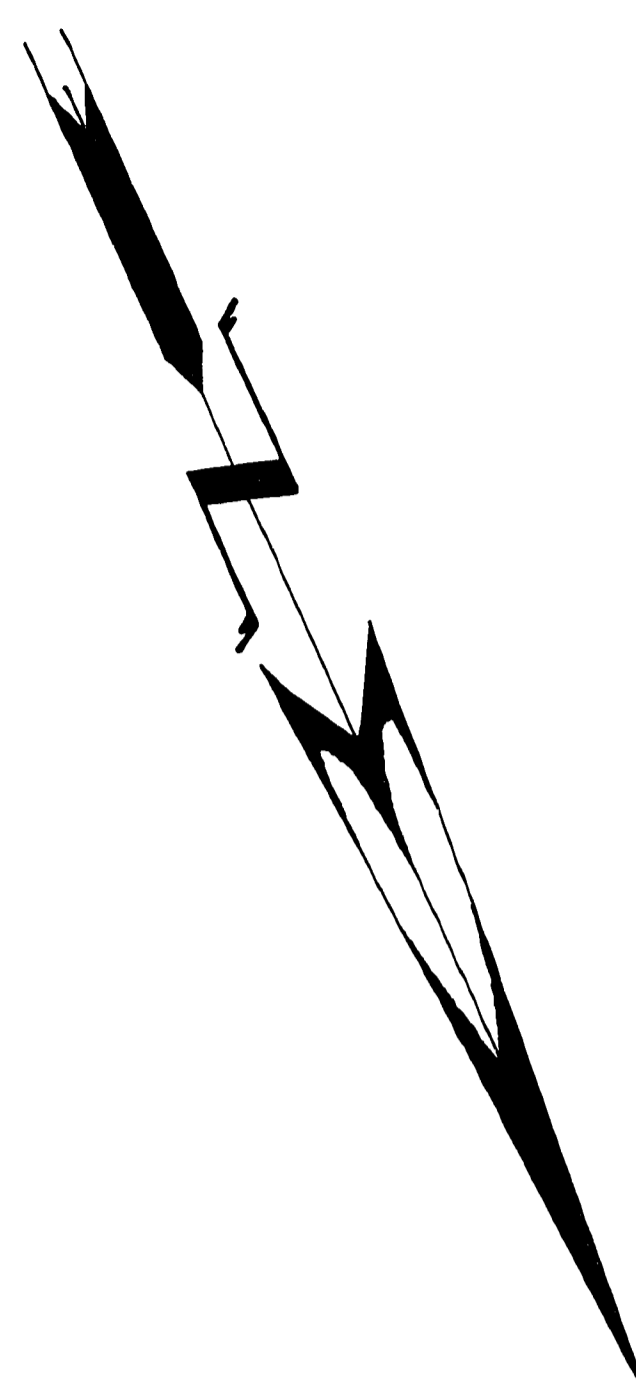
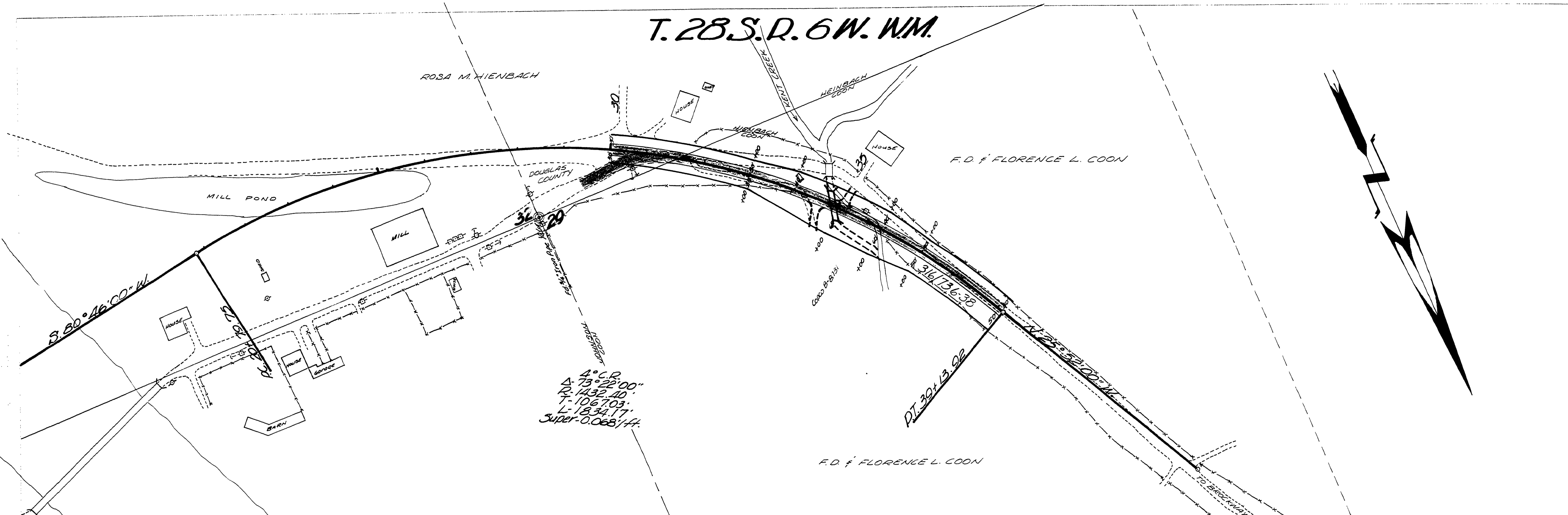
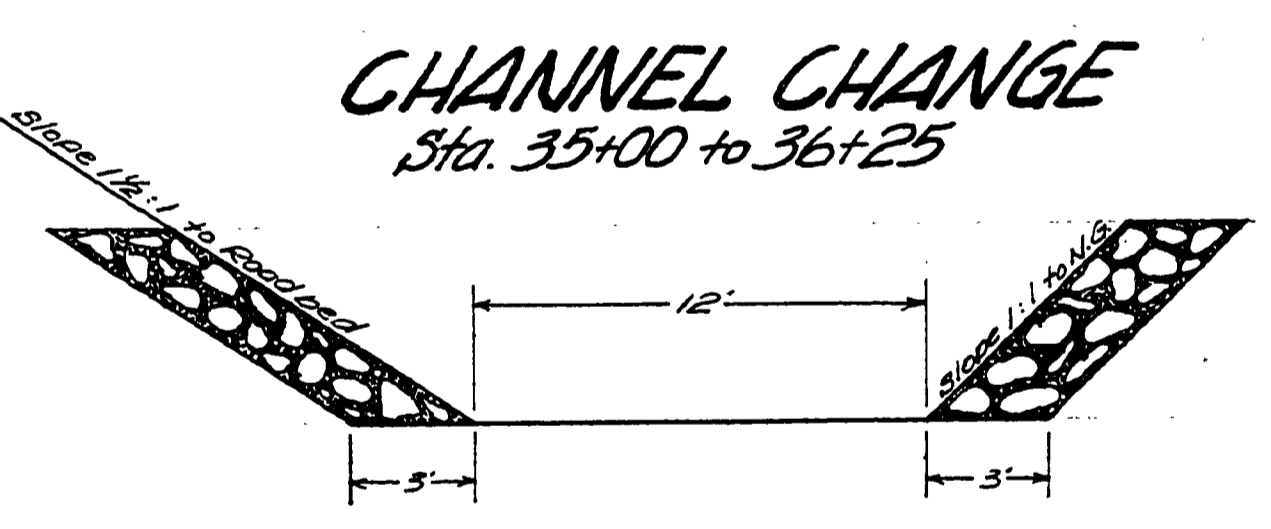


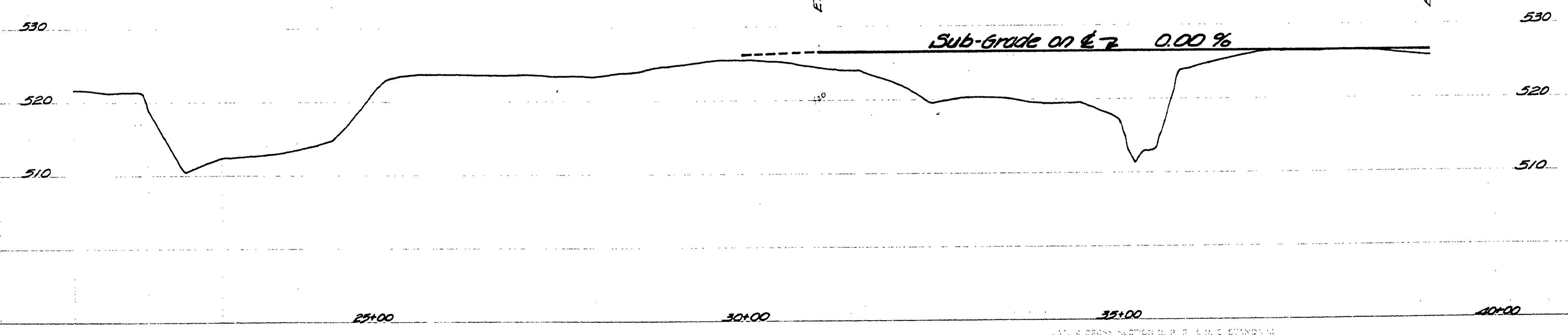
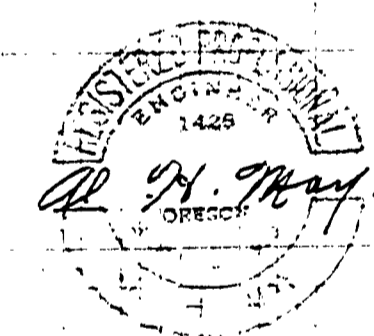
T. 28 S. R. 6 W. W.M.



ROADBED SECTION
Sta. 30+00 to 39+13.92



CHANNEL CHANGE
Sta. 35+00 to 36+25



FILED
RECEIVED
JUL 8 1963
COUNTY SURVEYOR
DOUGLAS COUNTY, ORE.

Douglas County Road Dept.
DILLARD BROGHIWAV # 47
Date 8-2-63 Sheet 1 of 1
A.H. MAY County Engineer

00470047

M.P. 0.47

Aug. 2, 1963
Co. Rd. # 47 sht. 1 of 1 9D

