

DOMESTIC CREEK SECTION
 FOREST BOUNDARY TIE ROAD
 DOUGLAS COUNTY
 8 OREGON S-342(1)

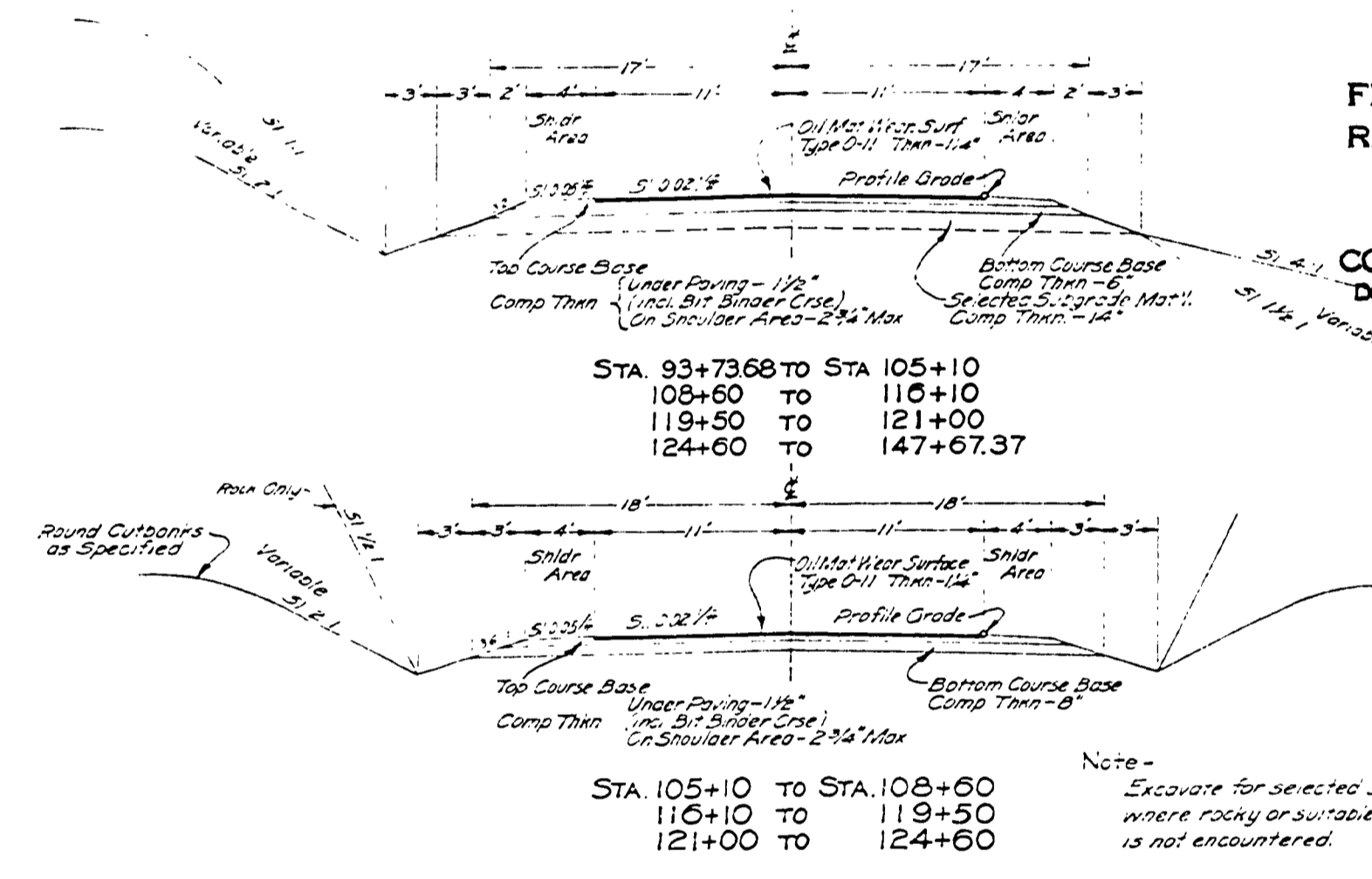
TYPICAL SECTIONS

FILED
 RECEIVED
 APR 3 1981

COUNTY SURVEYOR
 DOUGLAS COUNTY, ORE.

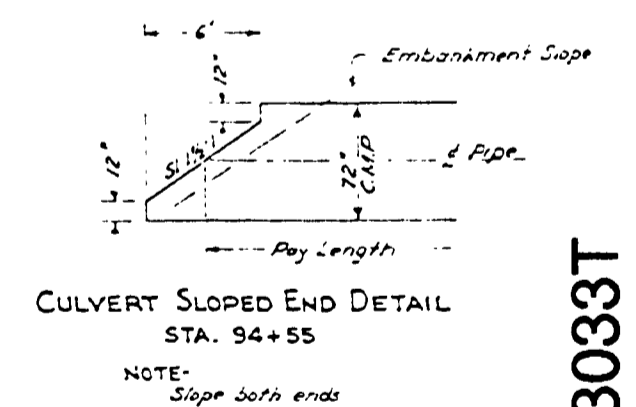
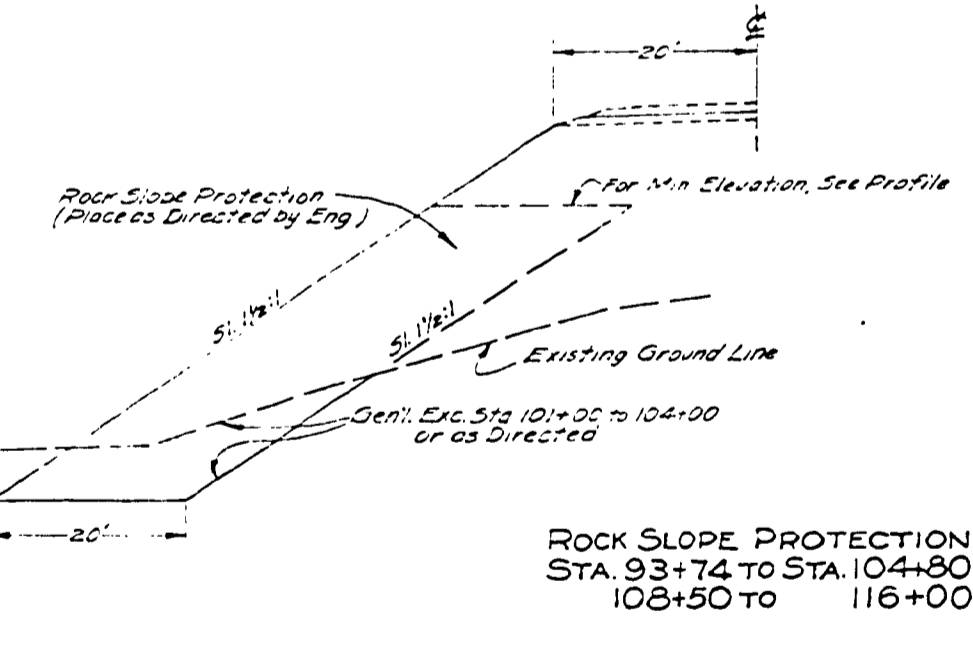
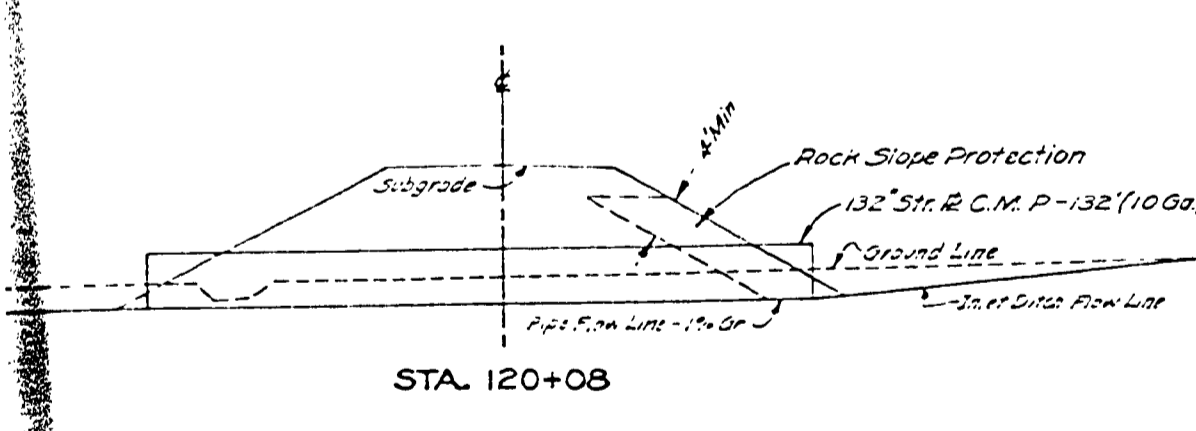
SUMMARY

ITEM	UNIT	LENGTH OF EA. PROJECT 1.022 MILES	
		NET QUANT.	ALLOW. TOTAL
Clearing and Grubbing	All	All	All
Craneage Excavation, Unclassified	Cu Yd	490	50
Special Borrow Excavation, Unclassified	Cu Yd	8,631	805
General Excavation, Unclassified	Cu Yd	111,697	11,003
Spall Overlay	Sq Yd	26,734	5,665
Long Overhaul	Cu Yd Sta	9	10
Finishing Faced and Slopes	Mile	1.02	1.02
Reinforcing Curbs	Lin Ft.	900	100
Structural Culvert Pipe	"	44	44
12-inch Corrugated Metal Pipe	"	164	16
18-inch " "	"	334	66
72-inch " "	"	60	70
132-inch Structural Plate Pipe, 10' Gauge	"	121	18
Bunch Perforated Metal Drain Pipe, Uncoated	"	900	100
Special Backfill in Drains	Cu Yd	171	19
Grouted Riprap	"	10	10
Coarse Crushed Material in Base	"	4,571	479
3/4" - 0 Material in Base	"	1,078	122
Spawning	M-Gals	210	20
Preparation of Base	Mile	1.02	1.02
3/4" - 0 Material in Binder Course	Cu Yd	119	11
Furnish and Place Aggregates	"	647	33
R.C.-3 Asphalt	Ton	19	1
100-150 Asphalt	"	45	5
R.S.-1 Asphalt	"	16	2



Note - Excavate for selected subgrade material where rocky or suitable granular material is not encountered.

CULVERT DETAIL



0233033T

Doc. 1981
 G. B. #46
 2 of 4 #46 (6)