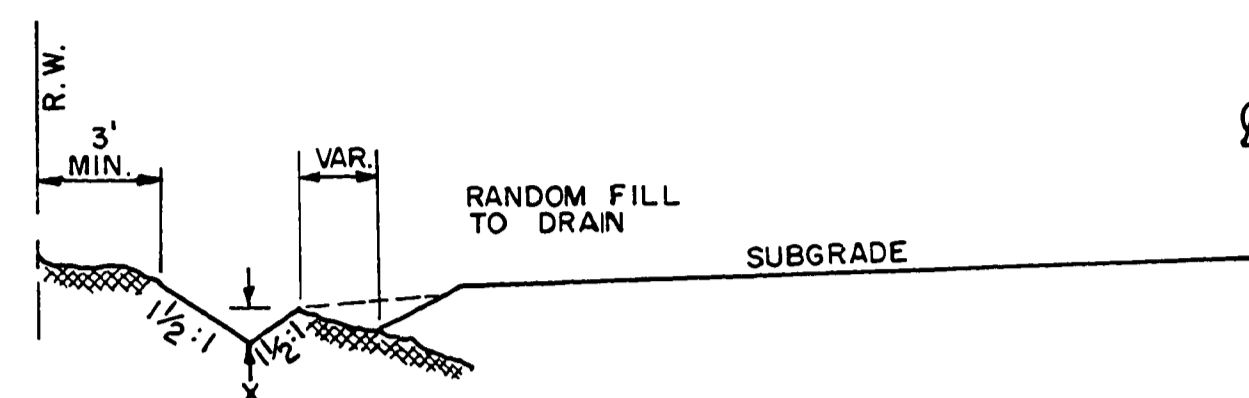
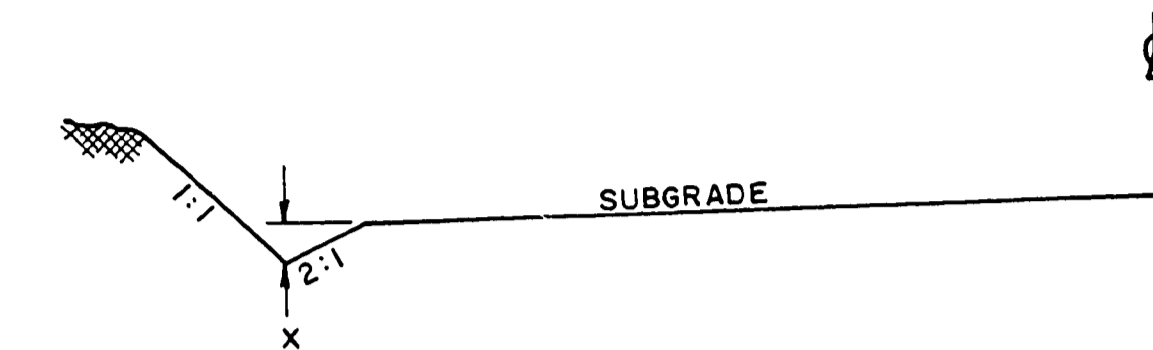


TYPICAL SECTION  
STA. L-10+06 TO STA. L-131+80.90



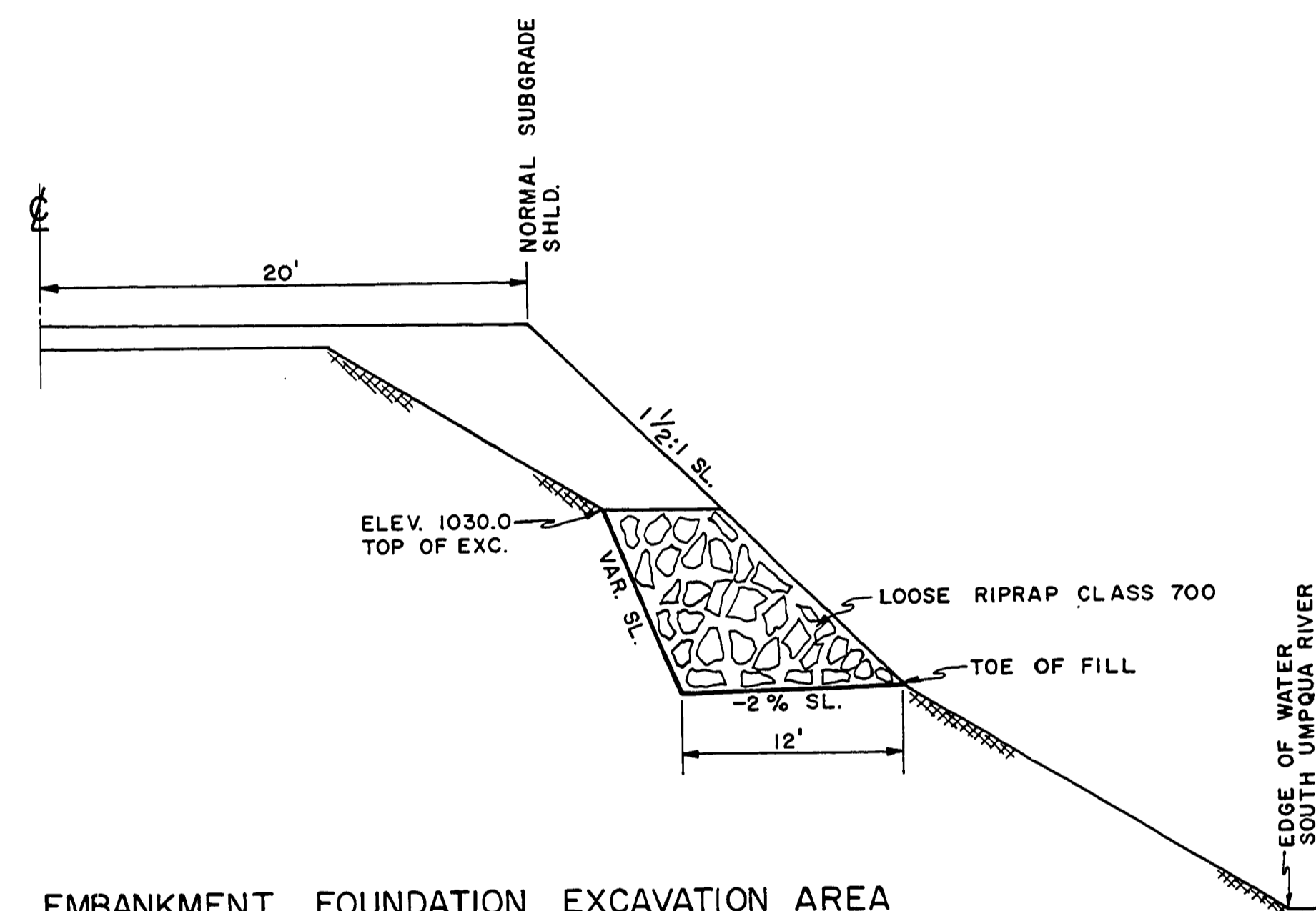
VARIABLE DITCH IN EMB. AREA  
X = VARIABLE  
12 to 32

STA. L-39+75 TO STA. L-42+00  
L-43+00 L-45+85  
L-46+35 L-49+00  
L-60+00 L-61+50

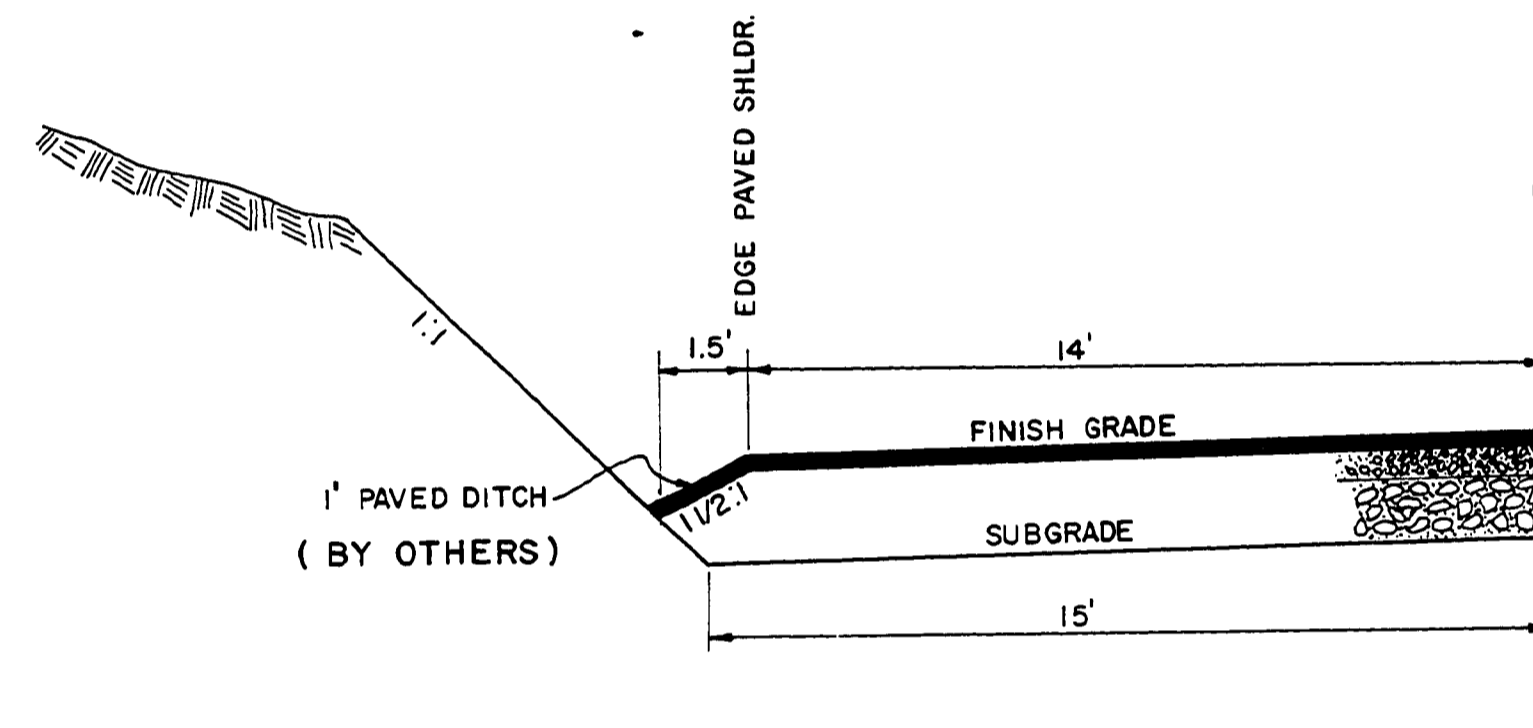


VARIABLE DITCH IN CUT AREA  
X = VARIABLE  
12 to 32

STA. L-10+50 TO STA. L-13+00  
L-18+50 L-21+00

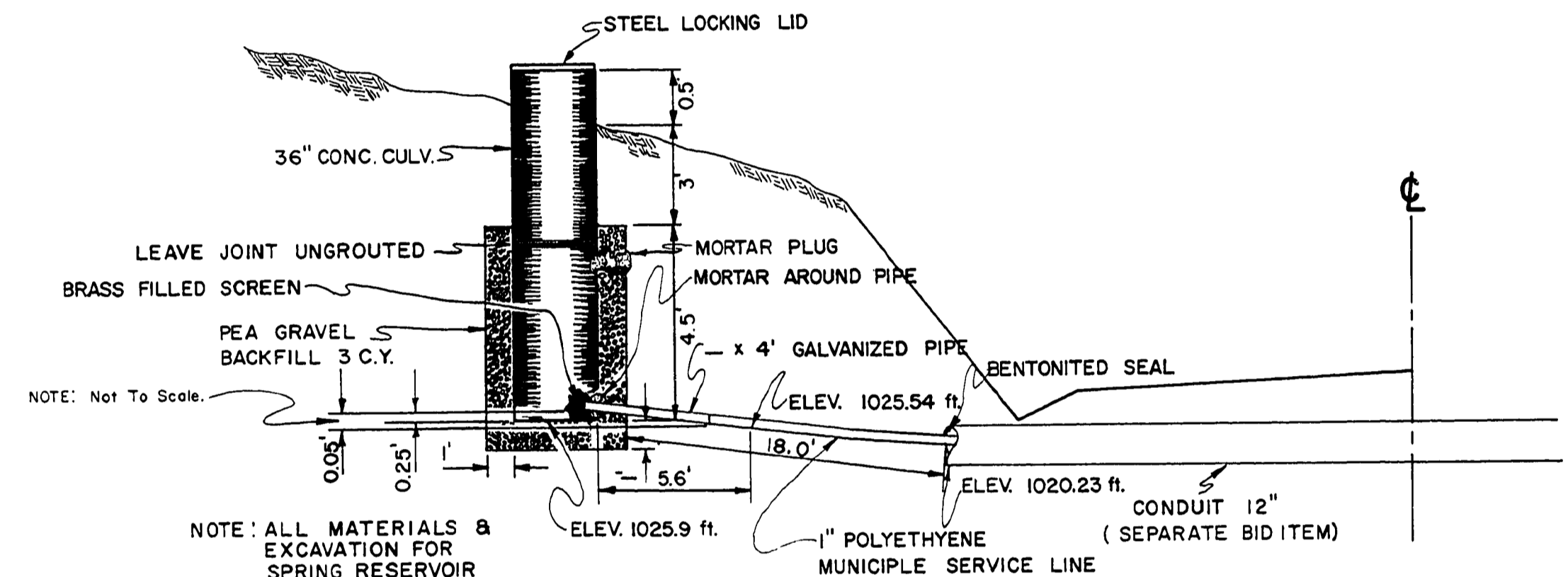


EMBANKMENT FOUNDATION EXCAVATION AREA  
STA. L-48+75 TO STA. L-55+75



TYPICAL SECTION  
LT. SIDE  
STA. L-76+50 TO L-82+50

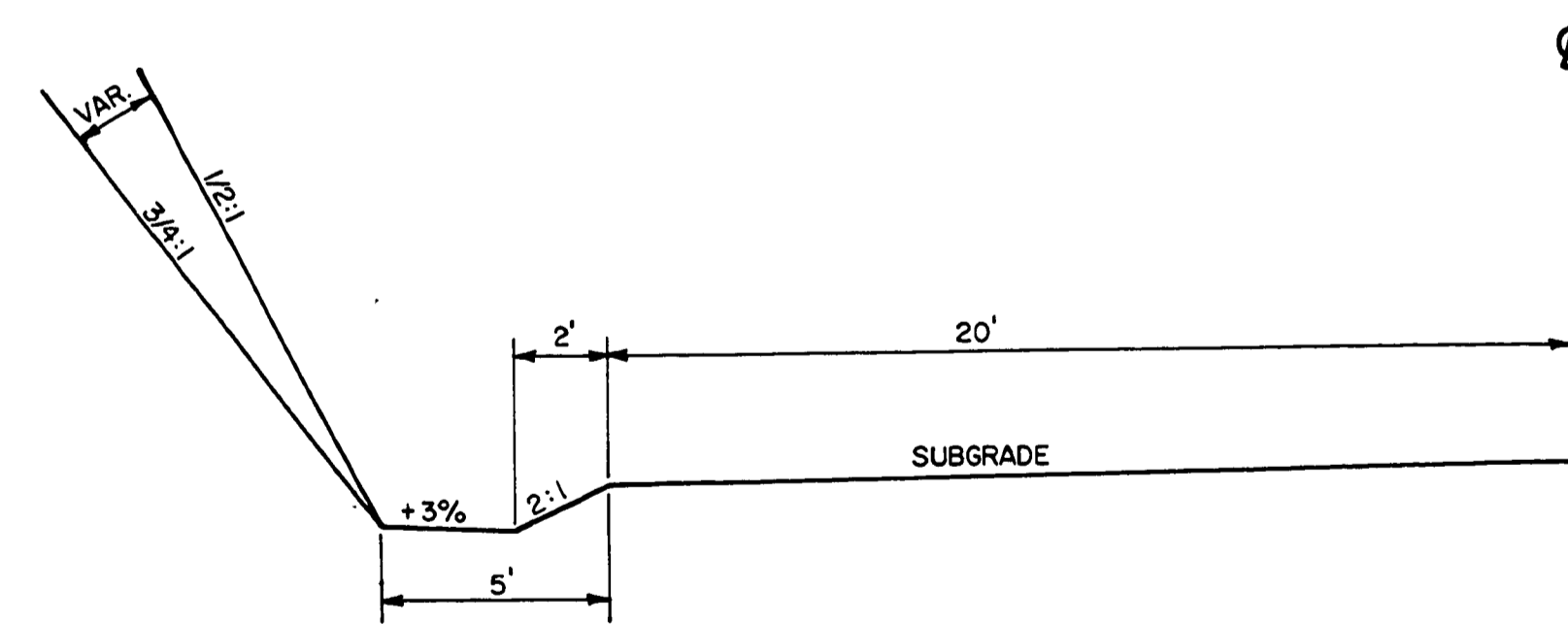
TAPER SECTION  
STA. L-76+00 TO L-76+50  
L-82+50 L-83+00



NOTE: Not To Scale.

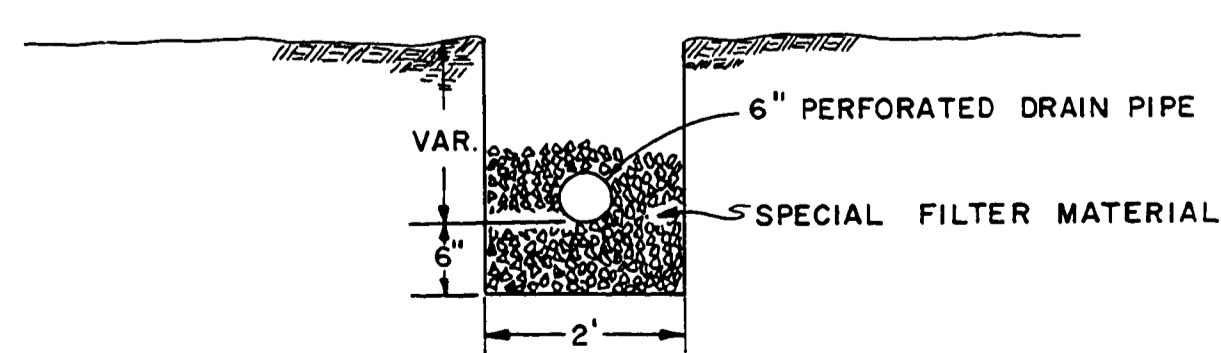
NOTE: ALL MATERIALS & EXCAVATION FOR SPRING RESERVOIR TO BE LUMP SUM BID.

SPRING RESERVOIR  
LT. OF STA. L-17+82  
(NOT TO SCALE)

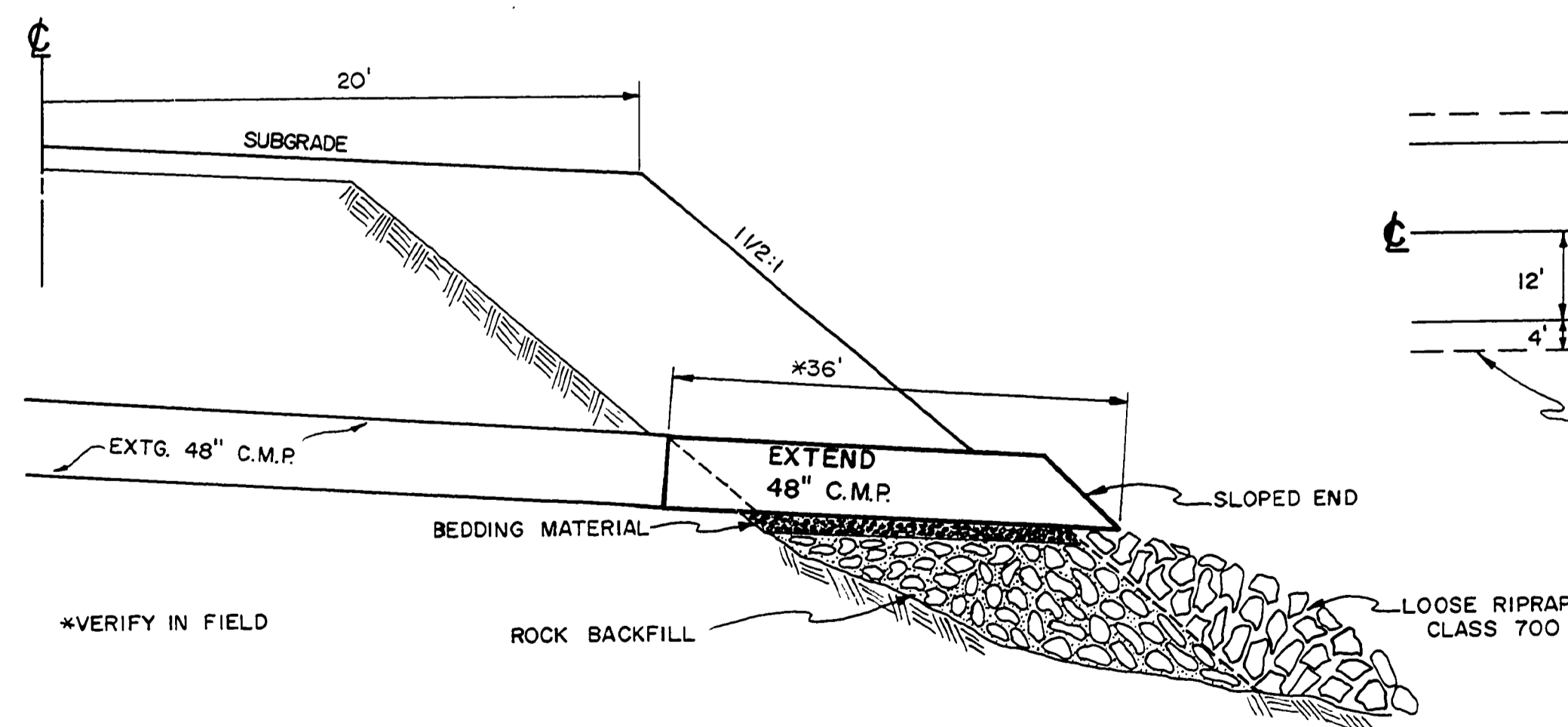


TYPICAL FALLOUT SECTION  
LT. SIDE

STA. L-25+50 THROUGH L-33+50  
L-87+00 L-91+00  
L-95+00 L-115+50  
L-123+50 L-125+00



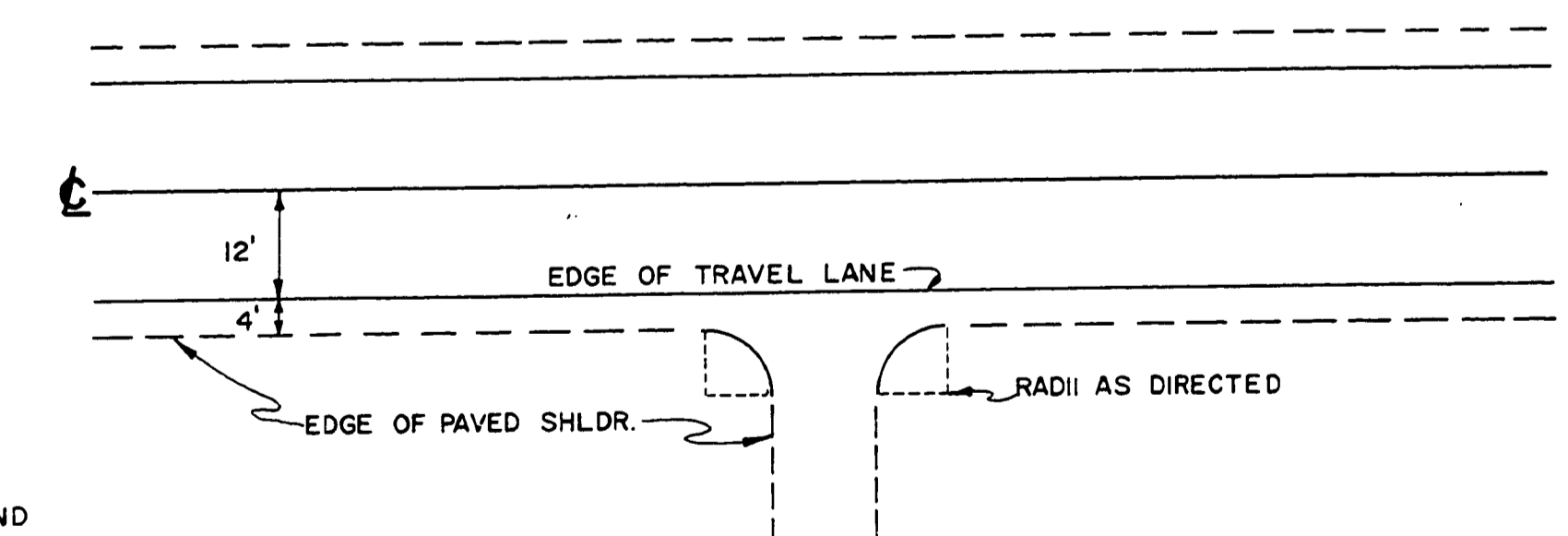
TYPICAL PERFORATED DRAIN PIPE INSTALLATION



\*VERIFY IN FIELD

CULVERT EXTENSION SECTION  
RT. SIDE

STA. L-128+00 AT DEADHORSE CREEK



MINOR ROADS & DRIVEWAYS

DOUGLAS COUNTY ROAD DEPT.  
TILLER SOUTH UMPQUA, RD. 46  
1975 SHT. 3  
GEORGE E. GRUBB COUNTY ENGR

0000TYPI