

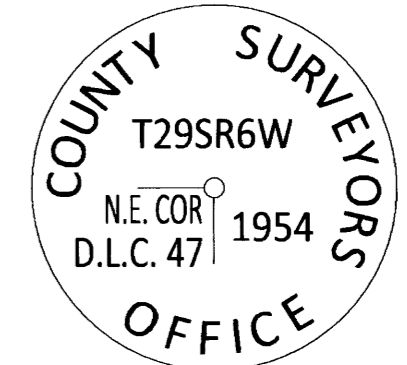
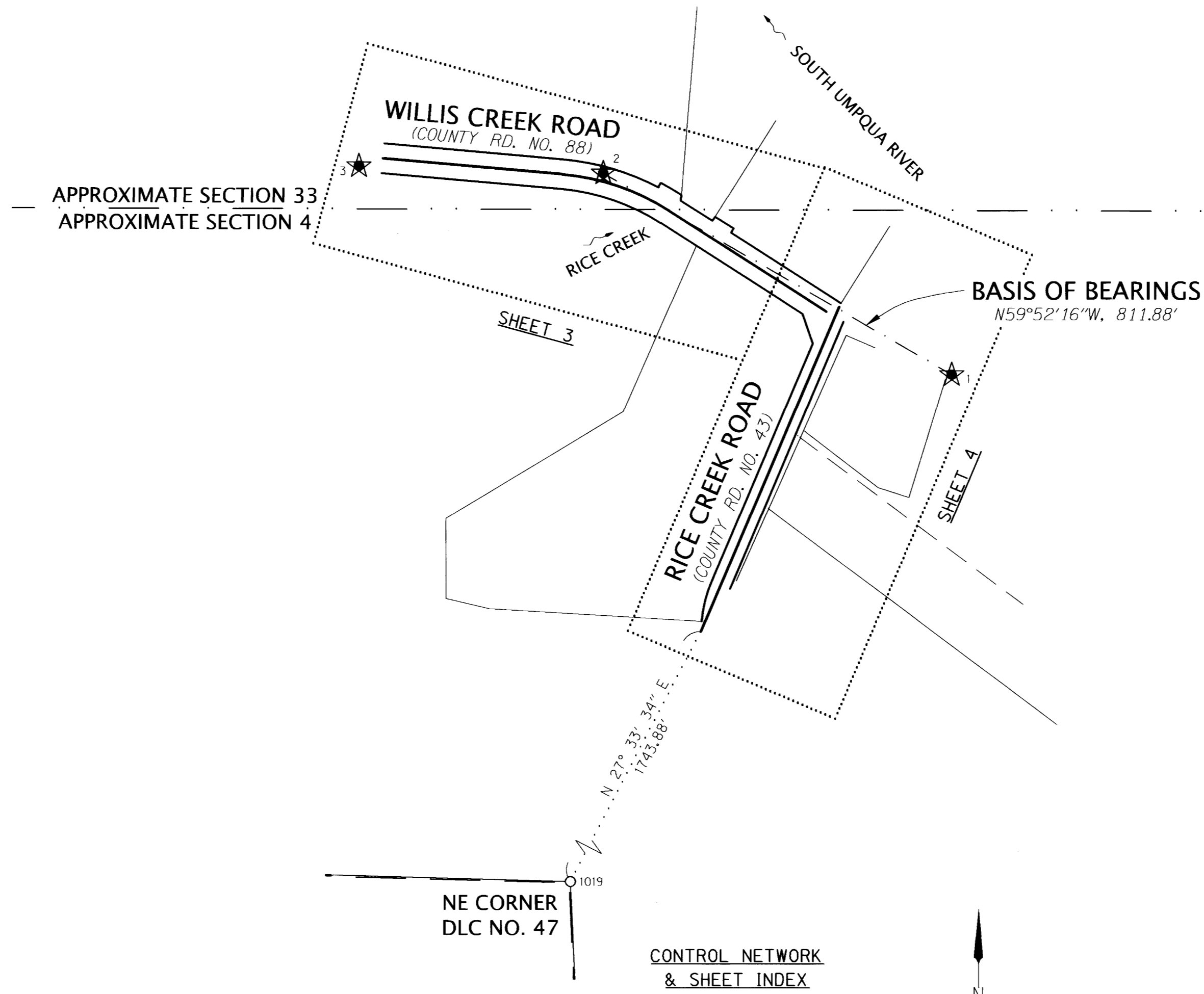
SHEET INDEX

- 1 SHEET LAYOUT DIAGRAM, CONTROL NETWORK, & SHEET INDEX
- 2 CONTROL NARRATIVE, SURVEY NARRATIVE & REFERENCES
- 3-4 SURVEY SHEETS

S 1/2 SECTION 33 TOWNSHIP 28 SOUTH, RANGE 6 WEST, W.M.
 N 1/2 SECTION 4 TOWNSHIP 29 SOUTH, RANGE 6 WEST, W.M.

FILED
 Date: 3-14-2024 By: [Signature]
 This survey consists of:
 Map: CD. Rd. # 43
 Narrative: 01300146
 Corner Rpt: _____

DOUGLAS COUNTY
 SURVEYOR



FOUND MONUMENT #1019
 DLC #47

LEGEND	
★	SET GPS STATION NOTED IN TABLE
○ 1019	FOUND MONUMENT NOTED IN TABLE
— (solid)	RIGHT OF WAY LINE
— (solid)	ALIGNMENT LINE
— (solid)	PROPERTY LINE
— (dashed)	ORIGINAL LOT LINE
— (dotted)	APPROXIMATE SECTION LINE
— (dash-dot)	BASIS OF BEARINGS

CONTROL NETWORK NOTE

CONTROL POINTS FOR THIS SURVEY WERE NOT SET ON AND DO NOT REPRESENT PROPERTY LINES OR RIGHT-OF-WAY LINES AND ARE INTENDED FOR THE USE OF DOUGLAS COUNTY AND DOWL IN SUPPORT OF CURRENT AND FUTURE PROJECTS. IT IS NOT THE INTENT OF DOUGLAS COUNTY OR DOWL TO PERPETUATE THESE CONTROL POINTS AS MONUMENTS.

CONTROL POINT TABLE

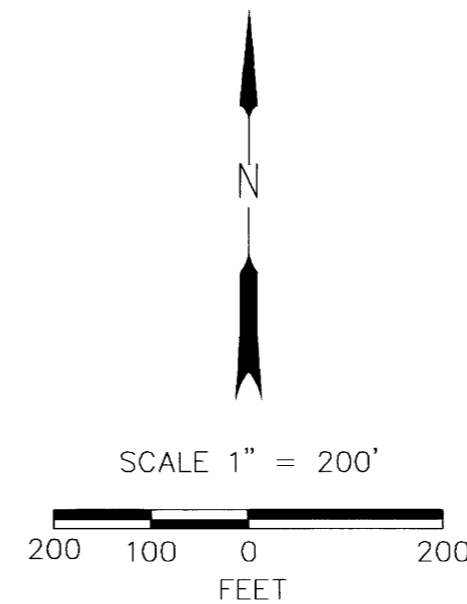
PT ID	OCRS NORTHING	OCRS EASTING	NAVD88 ELEVATION	DATE	DESCRIPTION
1	90900.01	142874.05	544.88	8/30/2021	SET 5/8" X 30" REBAR W/OPC MARKED "DOWL CONTROL"
2	91307.53	142171.86	550.97	8/30/2021	SET 5/8" X 30" REBAR W/OPC MARKED "DOWL CONTROL"
3	91322.32	141679.73	598.00	8/30/2021	SET 5/8" X 30" REBAR W/OPC MARKED "DOWL CONTROL"

RECOVERED MONUMENT TABLE

PT ID	OCRS NORTHING	OCRS EASTING	DATE	DESCRIPTION & REFERENCE DOCUMENTS
1019	88836.69	141561.26	9/20/2021	FD 2 1/2" BRASS DISK MARKED "T29SR6W NECOR DLC47 1954 COUNTY SURVEYOR'S OFFICE", GOOD COND, UP 0.8", PER CN3

ABBREVIATIONS

- COND = CONDITION
- DLC = DONATION LAND CLAIM
- FD = FOUND
- NO. = NUMBER
- OPC = ORANGE PLASTIC CAP
- RD. = ROAD
- W/ = WITH



REGISTERED
 PROFESSIONAL
 LAND SURVEYOR

[Signature]
 OREGON
 MAY 12, 2011
 ANDREW JOSEPH SILBERNAGEL
 #79198

RENEWS: JUNE 30, 2024
 SIGNED: 03/07/2024

FILE NAME: 2752.80203.01_mon.dwg

920 Country Club Rd., Ste. 100B
 Eugene, Oregon 97401
 541-683-6090

DOWL

BRIDGE REPLACEMENT PROJECT
 MONUMENTATION SURVEY

RICE CREEK BRIDGE (19C211)
 COUNTY ROAD #43 MP 1.41
 DOUGLAS COUNTY, OREGON

DOUGLAS COUNTY PUBLIC WORKS
 1036 SE DOUGLAS AVE #304,
 ROSEBURG, OR 97470

FEBRUARY, 2024
 1" = 200'

DESIGNED: N. KANZIG
 DRAWN: S. GURLEY
 CHK'D: A. SILBERNAGEL

PROJ. NO. 2752.80203.01
 SHEET 1 OF 4

01300146