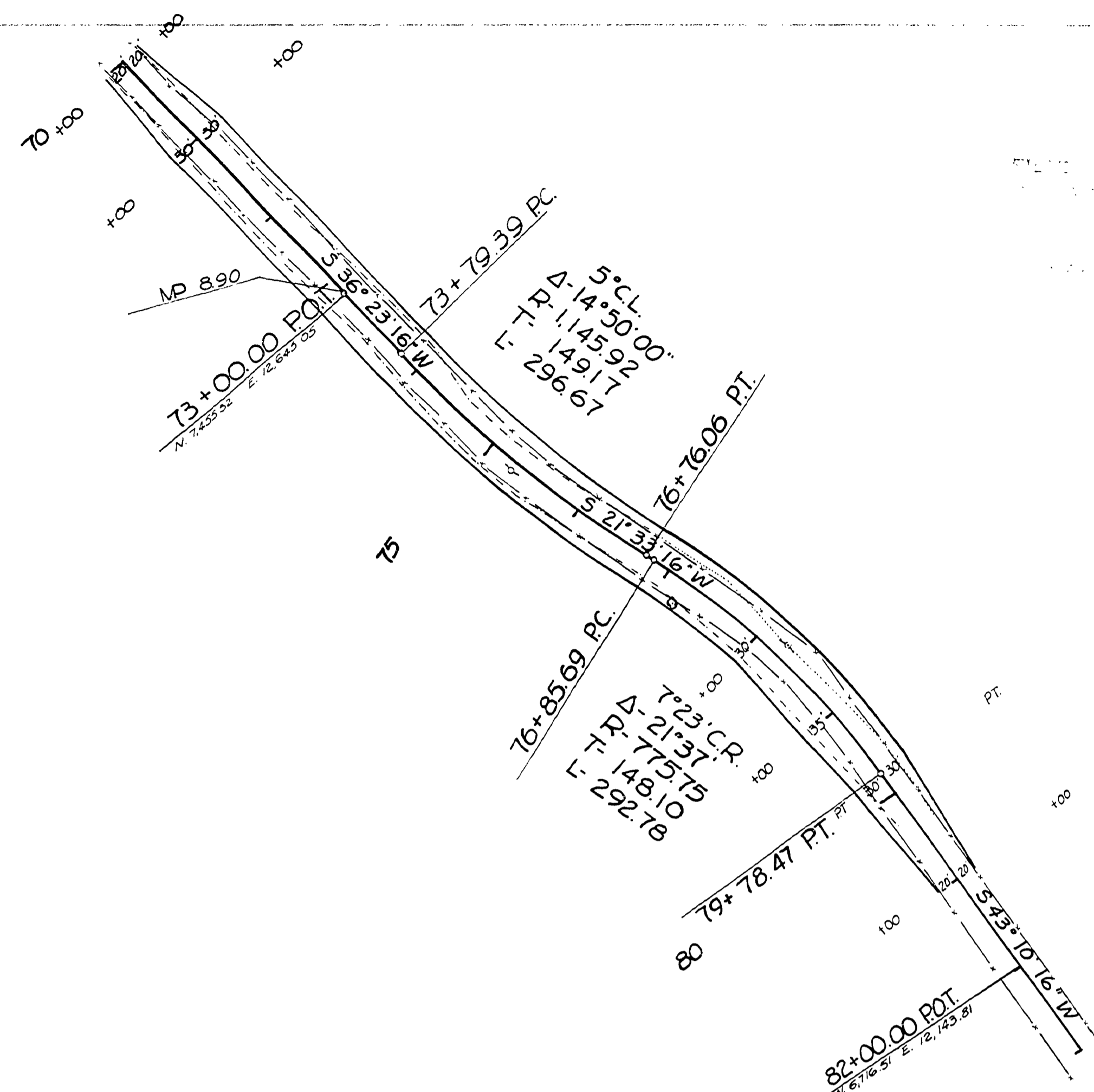
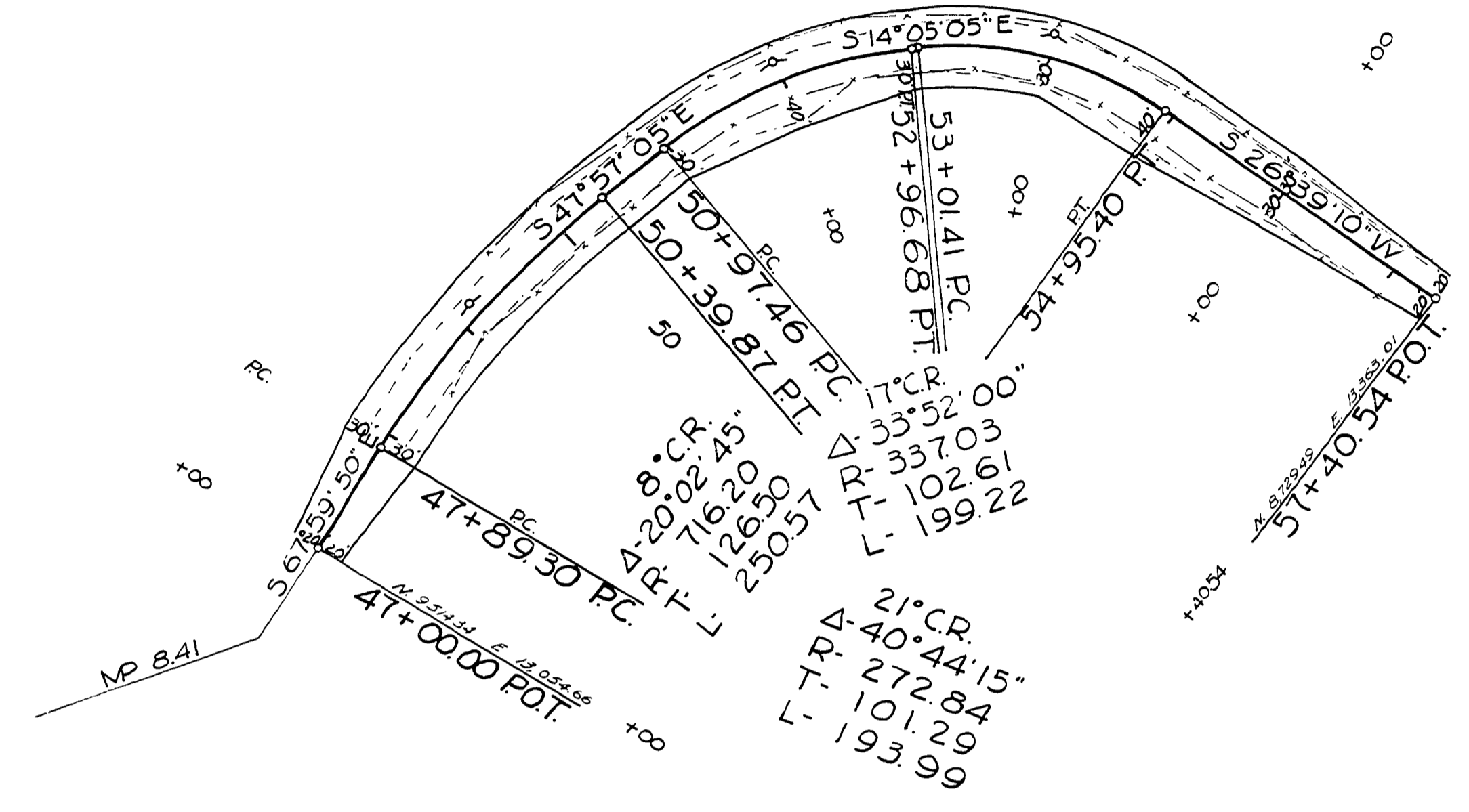
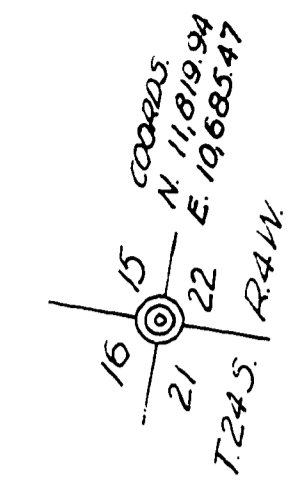
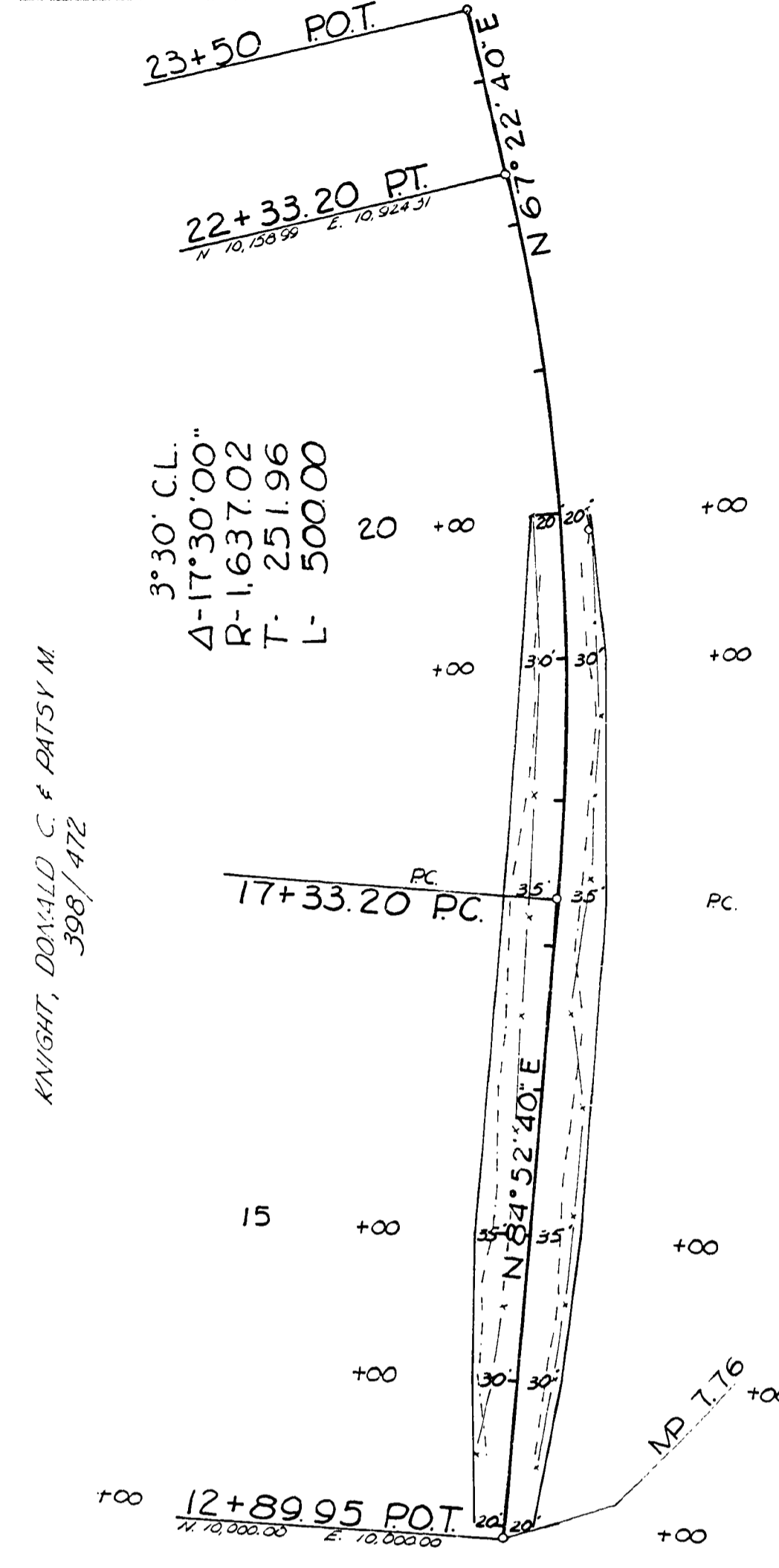


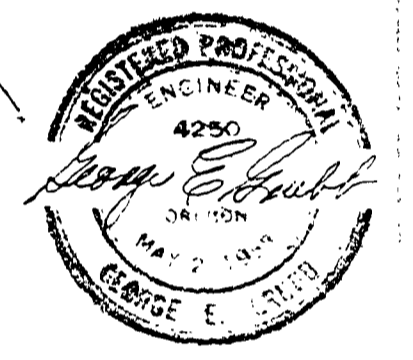
SEC. 21 & 22, T.24S, R.4W.



KNIGHT, DONALD C. & PATSY M.
398/472

WALLACE, CORNELIUS B. & MERLE C.
370/387

WALLACE, CORNELIUS B. & MERLE C.
370/387



DOUGLAS COUNTY RD. DEPT.
DRIVER VALLEY ROAD 22
JUNE 1969 SHEET 1 OF 1
GEORGE E. GRUBB CO. ENG.

07760907

M.P. 7.76 - 7.96, 8.41 - 8.61, 8.84 - 9.07

T. 24 S. R. 4 W. SEC. 21, 22
JUNE 1969 SHEET 1 OF 1
Co. Rd # 22

114