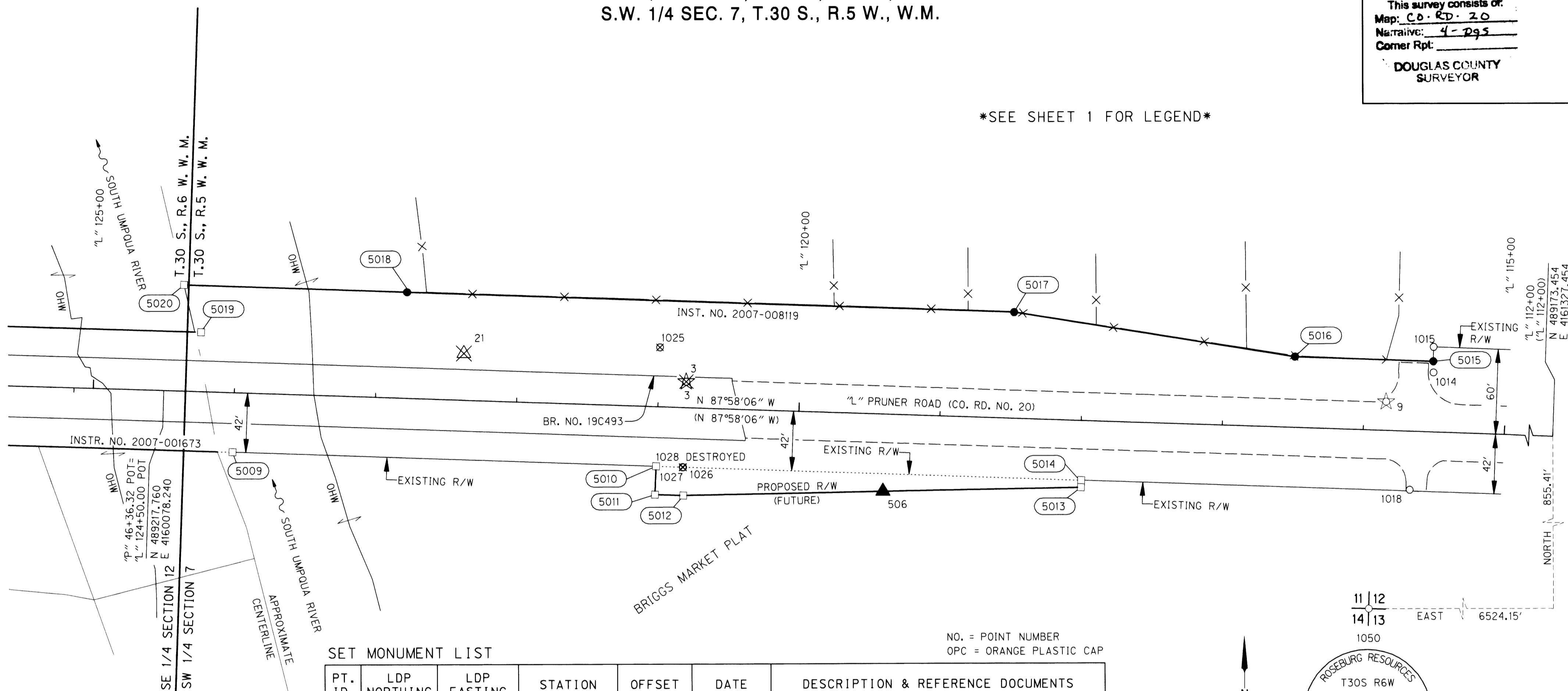


S.E. 1/4 SEC. 12, T.30 S., R.6 W., W.M.  
S.W. 1/4 SEC. 7, T.30 S., R.5 W., W.M.

FILED  
Date: 7-22-2010 By: JC  
This survey consists of:  
Map: Co. Rd. 20  
Narrative: 4-295  
Corner Rpt:  
DOUGLAS COUNTY  
SURVEYOR

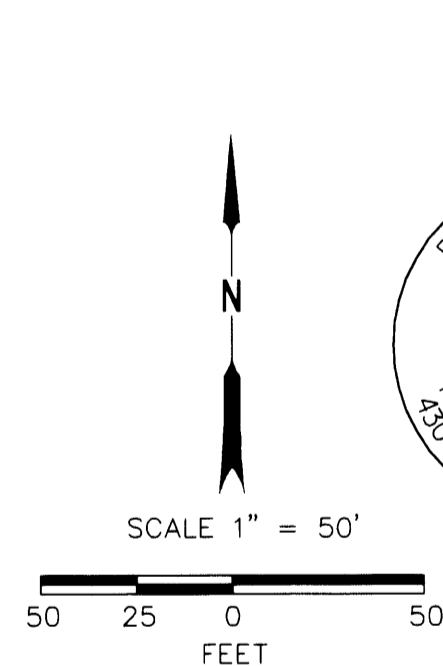
\*SEE SHEET 1 FOR LEGEND\*



SET MONUMENT LIST

PT. ID.	LDP NORTHING	LDP EASTING	STATION	OFFSET	DATE	DESCRIPTION & REFERENCE DOCUMENTS
5009	489174.02	4160126.72	"L" 124+00.00	42.00' LT	N/A	RIGHT-OF-WAY POINT, NO MONUMENT SET
5010	489163.39	4160426.53	"L" 121+00.00	42.00' LT	N/A	RIGHT-OF-WAY POINT, NO MONUMENT SET
5011	489143.40	4160425.82	"L" 121+00.00	62.00' LT	N/A	RIGHT-OF-WAY POINT, NO MONUMENT SET
5012	489142.69	4160445.81	"L" 120+80.00	62.00' LT	N/A	RIGHT-OF-WAY POINT, NO MONUMENT SET
5013	489147.71	4160727.48	"L" 117+98.68	47.00' LT	N/A	RIGHT-OF-WAY POINT, NO MONUMENT SET
5014	489152.70	4160727.66	"L" 117+98.68	42.00' LT	N/A	RIGHT-OF-WAY POINT, NO MONUMENT SET
5015	489235.90	4160977.45	"L" 115+52.00	50.00' RT	12/09/09	SET 5/8" x 30" REBAR W/ OPC "OBEC LS 65452"
5016	489239.37	4160879.51	"L" 116+50.00	50.00' RT	12/09/09	SET 5/8" x 30" REBAR W/ OPC "OBEC LS 65452"
5017	489271.45	4160680.52	"L" 118+50.00	75.00' RT	12/09/09	SET 5/8" x 30" REBAR W/ OPC "OBEC LS 65452"
5018	489286.69	4160250.79	"L" 122+80.00	75.00' RT	12/09/09	SET 5/8" x 30" REBAR W/ OPC "OBEC LS 65452"
5019	489258.86	4160104.71	"L" 124+25.00	42.00' RT	N/A	RIGHT-OF-WAY POINT, NO MONUMENT SET
5020	489292.30	4160092.76	"L" 124+38.13	75.00' RT	N/A	RIGHT-OF-WAY POINT, NO MONUMENT SET

NO. = POINT NUMBER  
OPC = ORANGE PLASTIC CAP



FILE NAME: 12550mon.dgn

OBEC CONSULTING ENGINEERS  
Corporate Office: 920 COUNTRY CLUB ROAD, SUITE 100B EUGENE, OREGON 97401-6089, 541-683-6090  
2235 MISSION STREET SE, SUITE 100 SALEM, OREGON 97302-1295, 503-589-4100  
831 O' HARE PARKWAY MEDFORD, OREGON 97504-4005, 541-774-5590  
5005 SW MEADOWS ROAD, SUITE 120 LAKE OSWEGO, OREGON 97035, 503-620-6103

OREGON DEPARTMENT OF TRANSPORTATION  
RIGHT-OF-WAY BOUNDARY MONUMENTATION SURVEY  
S. UMPQUA RIVER (PRUNER RD.) BRIDGE  
DOUGLAS COUNTY, OREGON

ODOT REGION 3  
3500 NW STEWART PARKWAY  
ROSEBURG, OR 97470  
DECEMBER, 2009  
SCALE 1" = 50'  
KEY NO 12550 SHEET 4 OF 4

DESIGNED: LOGAN MILES PROJ. NO. 19-76.55  
DRAWN: LOGAN MILES CHK'D: WAYNE DONOVAN

Co. Rd. # 20 MP 0.92-0.61 CO. RD. 20

REGISTERED PROFESSIONAL LAND SURVEYOR  
*Logan Miles*  
OREGON  
JULY 12, 2005  
LOGAN MILES  
65452  
RENEWAL: DEC. 31, 2010

RECOVERED MONUMENT LIST

PT. ID.	LDP NORTHING	LDP EASTING	STATION	OFFSET	DATE	DESCRIPTION & REFERENCE DOCUMENTS
1014	489228.01	4160977.54	"L" 115+51.63	42.12' RT	11-01-2004	FND 5/8" REBAR, FLUSH - CS M132-7
1015	489246.10	4160977.71	"L" 115+52.10	60.20' RT	11-01-2004	FND 5/8" REBAR W/ YPC "LANDMARK PLS 2287", FLUSH - CS M132-7
1018	489145.26	4160960.38	"L" 115+65.84	41.19' LT	11-01-2004	FND 3/4" (ID) IP W/ PLUG AND CENTER PUNCH, FLUSH - PART. PLAT NO. 2004-0067
1025	489247.41	4160429.69	"L" 120+99.82	42.08' RT	11-01-2004	FND 5/8" REBAR W/ YPC "LANDMARK PLS 2287", UP 0.08' - CS M132-7 - DESTROYED
1026	489162.61	4160445.63	"L" 120+80.89	42.10' LT	11-01-2004	FND 3/4" (ID) IP, UP 2.5' - COUNTY ROAD 20 SURVEY NO. 0082 0082
1027	489162.74	4160445.37	"L" 120+81.15	41.98' LT	11-01-2004	FND 5/8" REBAR W/ YPC "DW BAKER PLS 1978", UP 0.16' - BRIGGS MARKET PLAT - DESTROYED
1028	489163.34	4160426.63	"L" 120+99.90	42.04' LT	11-01-2004	FND 5/8" REBAR, UP 0.66' AND BENT S.E. - CS M132-7

00920061