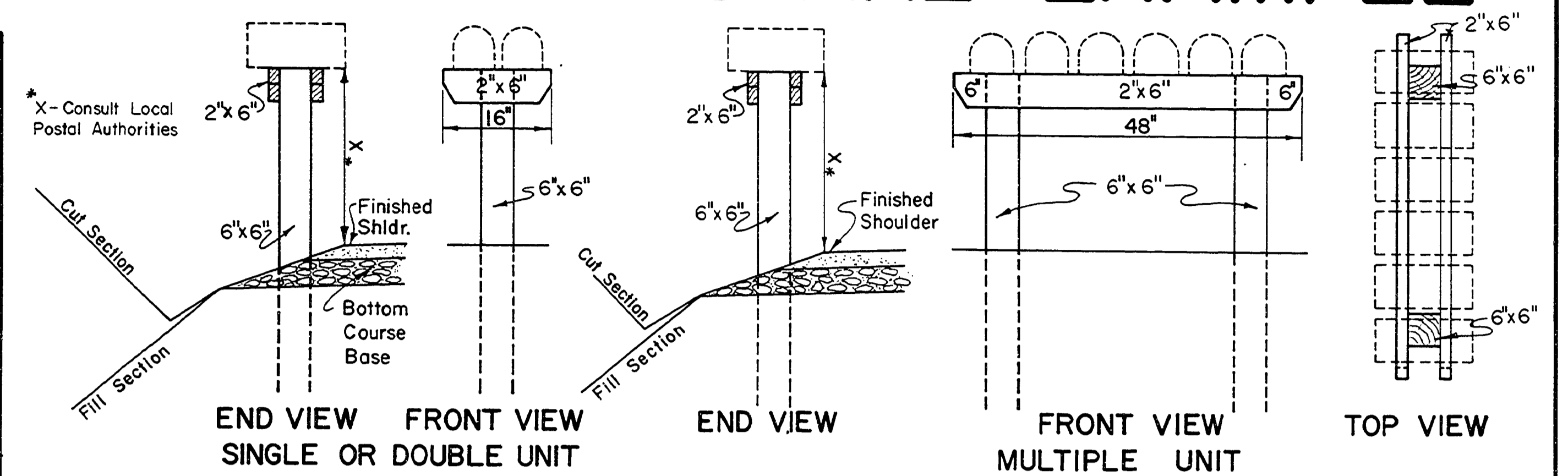


PIPE LIST, MAIL BOX STAND, DRIVEWAY TYPICALS & SLOPE STAKE EXAMPLE

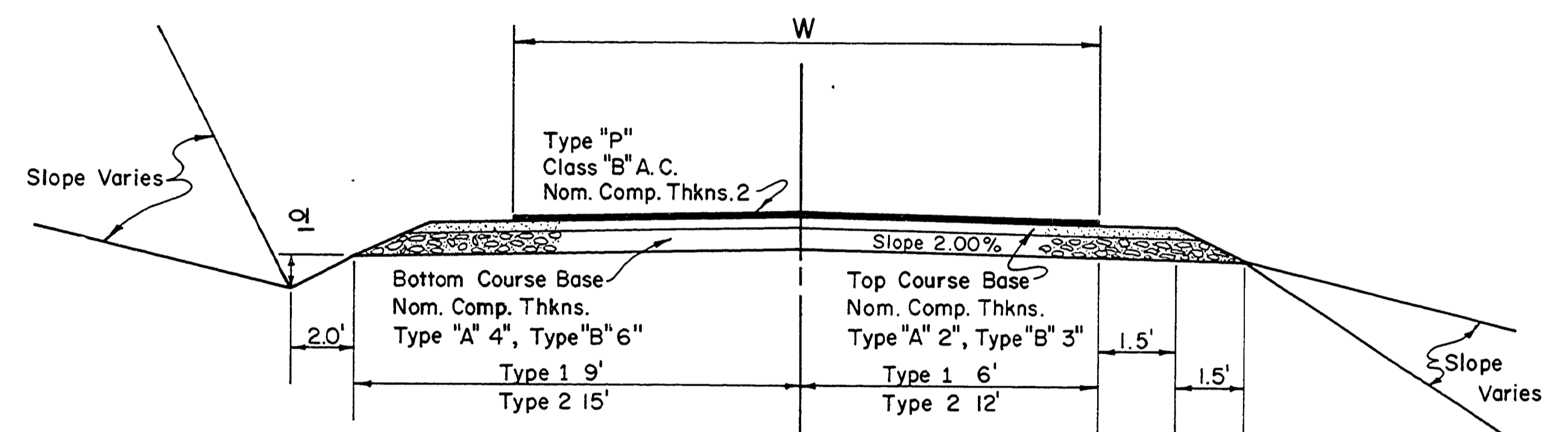
STATION	DIAMETER	LENGTH	PIPE LIST						TRENCH EXC. CU. YDS.	REMARKS STRUTTED END TREATMENT, IMPERFECT TRENCH ETC. CULV SLOPED END DETAILS PER Q.SHD. STD DWG NO. 2112	
			ALUMINUM			STEEL					CONCRETE
			ANNULAR CORR. GAGE	HELICAL CORR.	ASPHALT COATED	ANNULAR CORR. GAGE	HELICAL CORR.	ASPHALT COATED			CLASS III, IV, V
219+30	58"x36"	24'				12				D/W SLOPED ENDS	
219+85	24"	24'				16	16		✓	D/W	
224+00	58"x36"	24'				12				D/W SLOPED ENDS	
224+00	24"	24'				16	16		✓	D/W	
232+30	18"	24'				16	16		✓	D/W	
233+90	65"x40"	60'				12				80' SLOPED ENDS	
233+90	18"	60'				16	16		✓	30	
236+65	36"x22"	24'				14				D/W	
237+25	36"x22"	24'				14				D/W	

NOTE: PIPE LENGTHS & LOCATIONS TO BE VERIFIED IN FIELD.



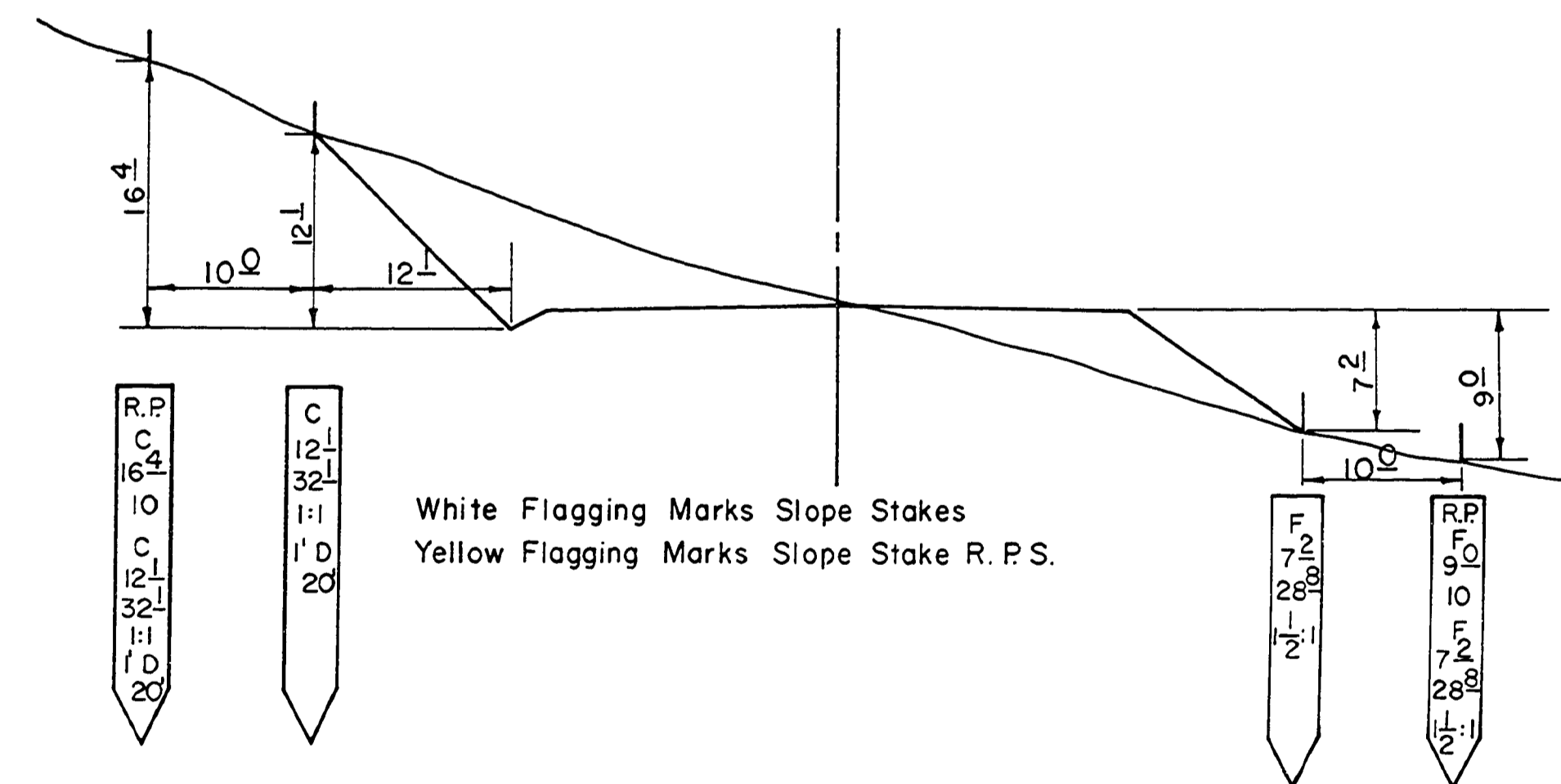
NOTE: All Posts to be of Cedar, Posts to be Set a Minimum of 24" Below the Surface of the Ground.

TYPICAL MAIL BOX STAND



TYPICAL SECTION
TYPE 1 & 2 SURFACING WIDTHS
TYPE A & B SURFACING THICKNESS
TYPE P (P SIGNIFIES PAVING REQUIRED)

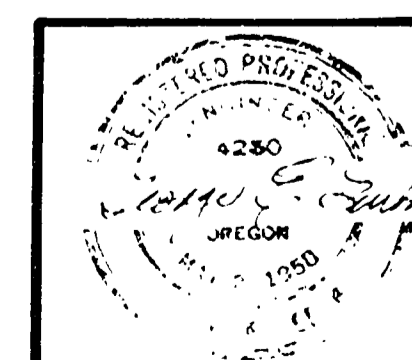
RURAL DRIVEWAY & ROAD APPROACH STANDARD



SLOPE STAKE EXAMPLE

TYPICAL MARKING BACK OF STAKE.

JOB NAME SOUTH PLAT K SEC.
 JOB NUMBER 19
 DATE MAY 1971
 Douglas County Road Dept.
 PIPE LIST, MAIL BOX STAND RURAL DRIVEWAY & SLOPE STAKE EX.
 Date: May 1969 Std. Dwng. 1



Rd # 19 MAY 27 1971

013 PIPE