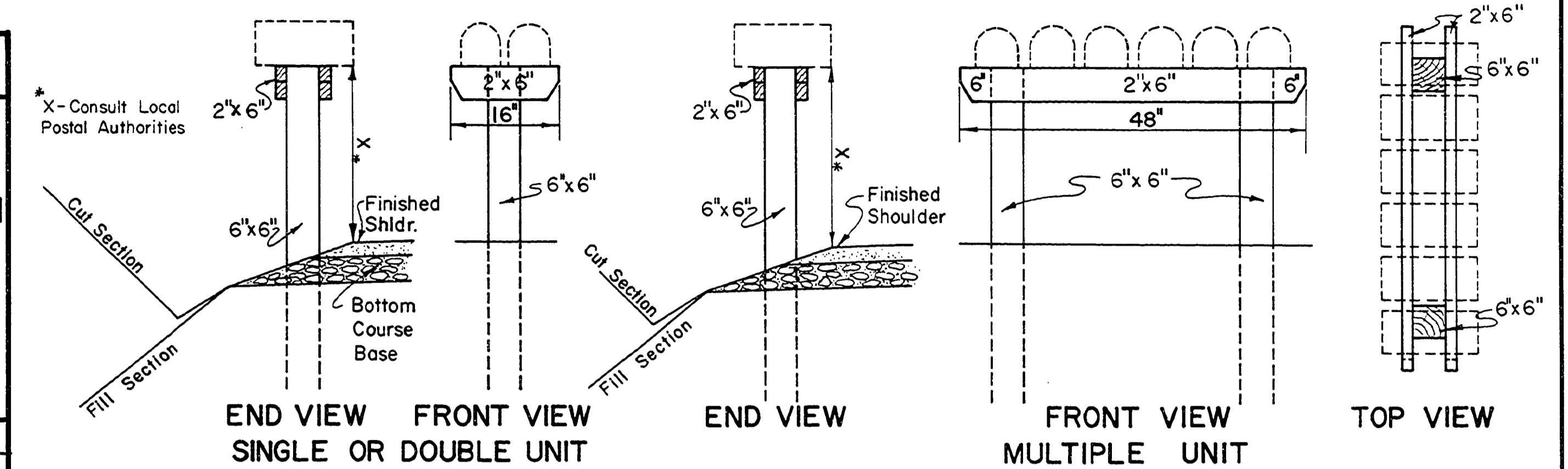


# PIPE LIST, MAIL BOX STAND, DRIVEWAY TYPICALS & SLOPE STAKE EXAMPLE

## PIPE LIST

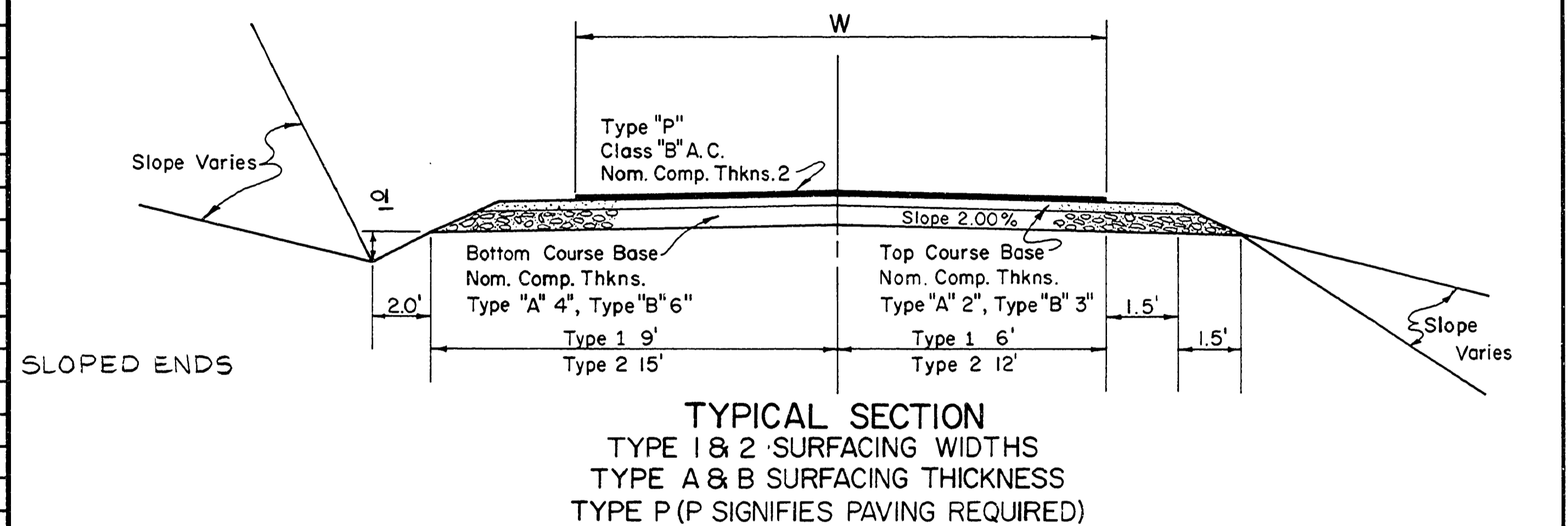
STATION	DIAMETER	LENGTH	MATERIALS						TRENCH EXC. CU. YDS.	REMARKS STRUTTED END TREATMENT, IMPERFECT TRENCH ETC.  CULV SLOPED END DETAILS PER O.S.H.D. STD DWG NO.2112
			ALUMINUM		GALV. STEEL		CONCRETE			
			ANNULAR CORR. GAGE	HELVICAL CORR. ASPHALT COATED	ANNULAR CORR. GAGE	HELVICAL CORR. ASPHALT COATED	CLASS III, V			
76+70	36"x22"	24'			14	✓			D/W	
77+95	12"	24'			16	16	✓		D/W	
83+15	42"	64'			12	12	✓	44	D/W	
84+90	36"x22"	36'			14	✓			D/W	
85+95	36"x22"	24'			14	✓			D/W	
86+65	36"x22"	24'			14	✓			D/W	
91+30	18"	24'			16	16	✓		D/W	
* 93+30	18"	24'			16	16	✓		D/W	
99+60	65"x40"	62'			12	✓		80	SLOPED ENDS	
99+85	48"	10'			12	12	✓	18	Extend	
99+85	48"	8'			12	12	✓	18		
* 92+00	18"	24'			16	16	✓		D/W	
101+50	36"x22"	24'			14	✓			D/W	
112+85	24"	60'			16	16	✓	21		
119+15	50"x31"	24'			12	✓			D/W SLOPED ENDS	
135+80	12"	24'			16	16	✓		D/W	
136+90	12"	24'			16	16	✓		D/W	
137+50	58"x36"	20'			12	✓		10	Extend 10' Lt & 10' Rt	
138+65	18"	24'			16	16	✓		D/W	
143+70	12"	24'			16	16	✓		D/W	
144+65	12"	24'			16	16	✓		D/W	
									D/W	
153+90	24"	24'			16	16	✓		D/W	
154+20	50"x31"	24'			12	✓			D/W SLOPED ENDS	
157+90	50"x31"	24'			12	✓			D/W SLOPED ENDS	
158+60	18"	28'			16	16	✓		D/W	
159+45	24"	24'			16	16	✓		D/W	
160+35	24"	24'			16	16	✓		D/W	
163+30	30"	60'			14	14	✓	40		
163+65	29"x18"	24'			14	✓			D/W	
165+10	18"	24'			16	16	✓		D/W	
167+00	18"	24'			16	16	✓		D/W	
168+30	58"x36"	58'			12	✓		36	SLOPED ENDS	
169+05	50"x31"	24'			12	✓			D/W SLOPED ENDS	
169+80	50"x31"	24'			12	✓			D/W SLOPED ENDS	
171+15	43"x27"	24'			12	✓			D/W	
171+90	43"x27"	24'			12	✓			D/W	
173+15	36"x22"	24'			14	✓			D/W	
174+00	36"x22"	24'			14	✓			D/W	
175+45	36"x22"	24'			14	✓			D/W	
178+50	12"	24'			15	15	✓		D/W	
182+60	48"	50'			12	12	✓	52		
189+20	36"x22"	24'			14	✓			D/W	
194+05	24"	24'			16	16	✓		D/W	
198+65	12"	24'			16	16	✓		D/W	
203+80	36"x22"	24'			14	✓			D/W	
212+25	24"	24'			16	16	✓		D/W	
214+85	18"	24'			16	16	✓		D/W	
216+45	18"	24'			16	16	✓		D/W	

NOTE: PIPE LENGTHS & LOCATIONS TO BE VERIFIED IN FIELD.

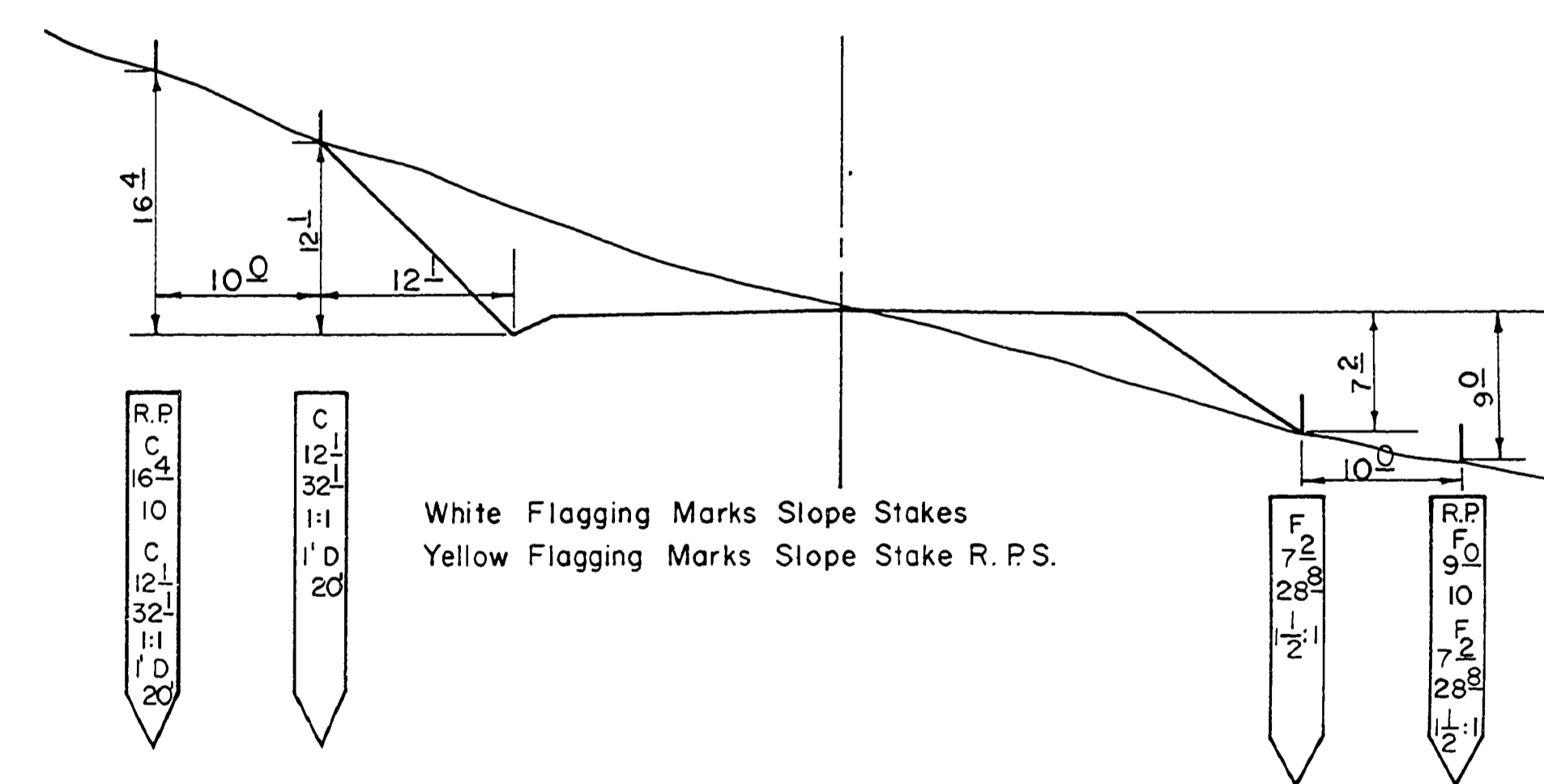


NOTE: All Posts to be of Cedar, Posts to be Set a Minimum of 24" Below the Surface of the Ground.

## TYPICAL MAIL BOX STAND



## RURAL DRIVEWAY & ROAD APPROACH STANDARD



## SLOPE STAKE EXAMPLE

TYPICAL MARKING BACK OF STAKE.

JOB NAME STAKE PLAT IN SEC.  
 JOB NUMBER 19  
 DATE MAY 1971  
 Douglas County Road Dept.  
 PIPE LIST, MAIL BOX STAND RURAL DRIVEWAY & SLOPE STAKE EX.  
 Date: May 1969 Std. Dwng. 1

0131DRMB

*Handwritten notes:* 2/7, 2x of 12, R.d # 19