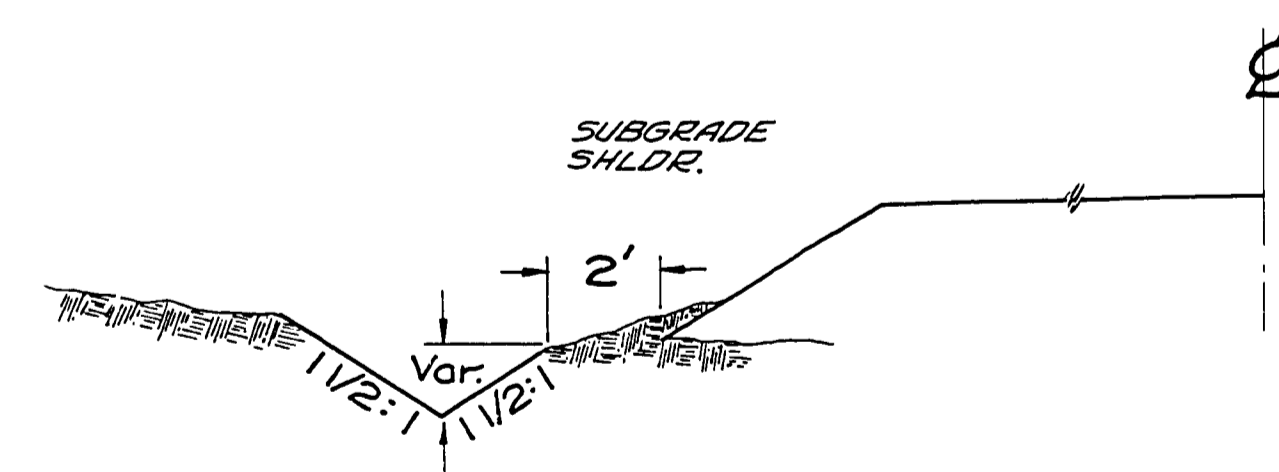
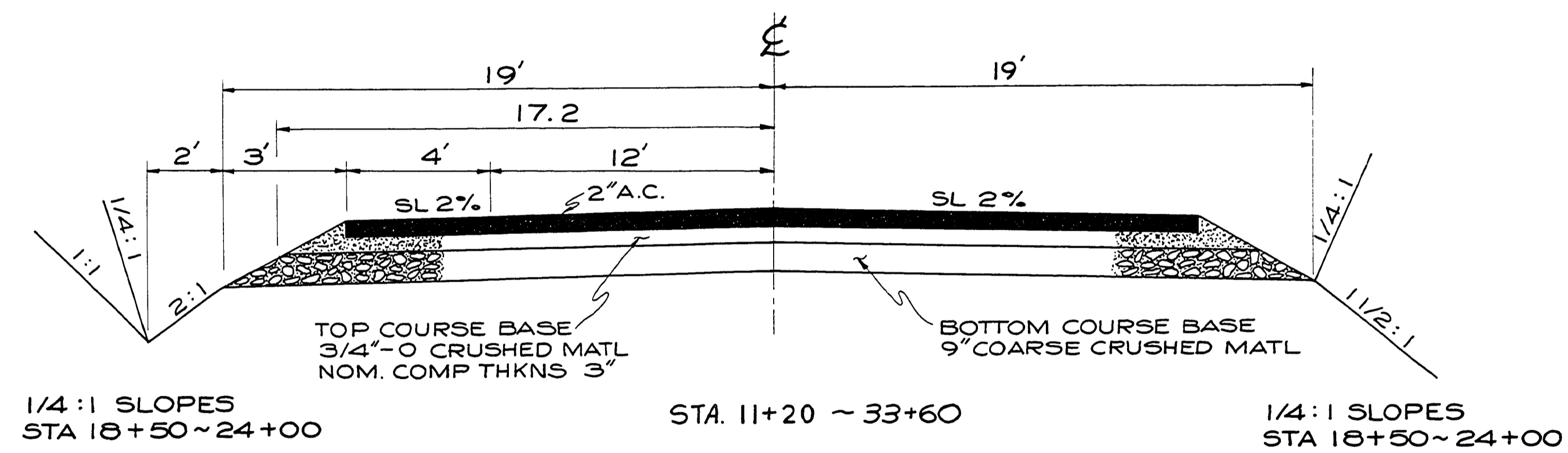
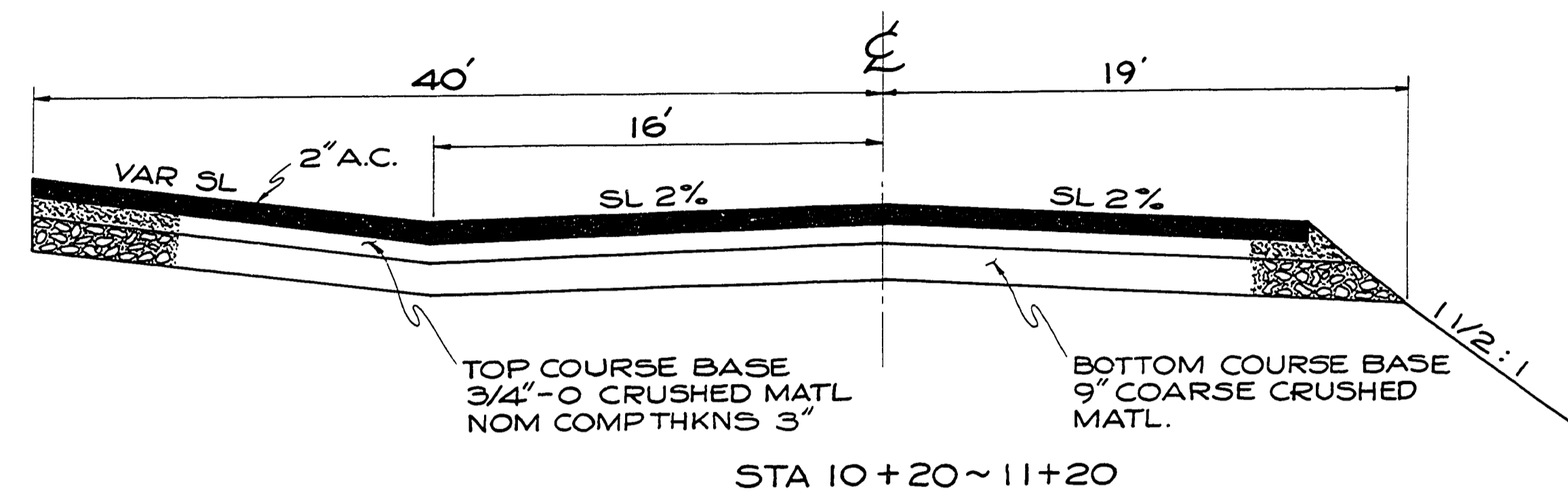
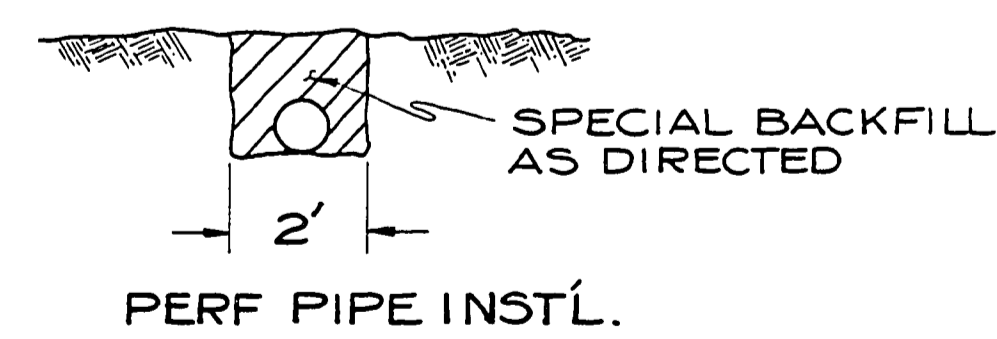


TYPICAL SECTIONS



- CUTOFF DITCH IN FILL AREA
- STA 13+55 ~ 16+55
 - " 25+50 ~ 25+80
 - " 28+70 ~ 29+60
 - " 32+50 ~ 34+00



NOT REVISIED
AS CONSTRUCTED

00000000T

DOUGLAS COUNTY ROAD DEPT.
LITTLE RIVER ROAD NO. 17
1972 SHT 3
GEORGE E. GRUBB COUNTY ENGR.