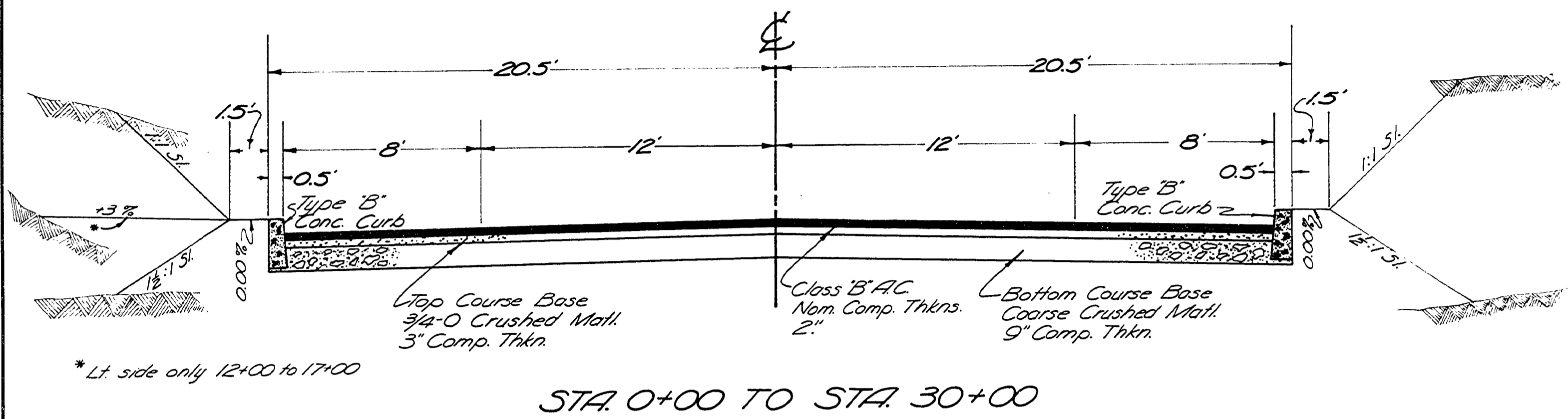
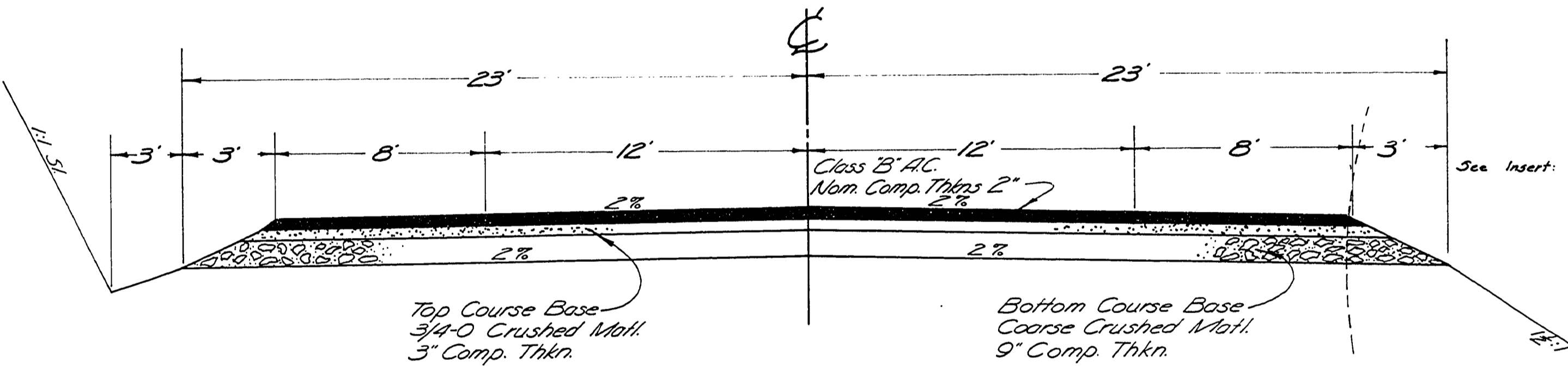


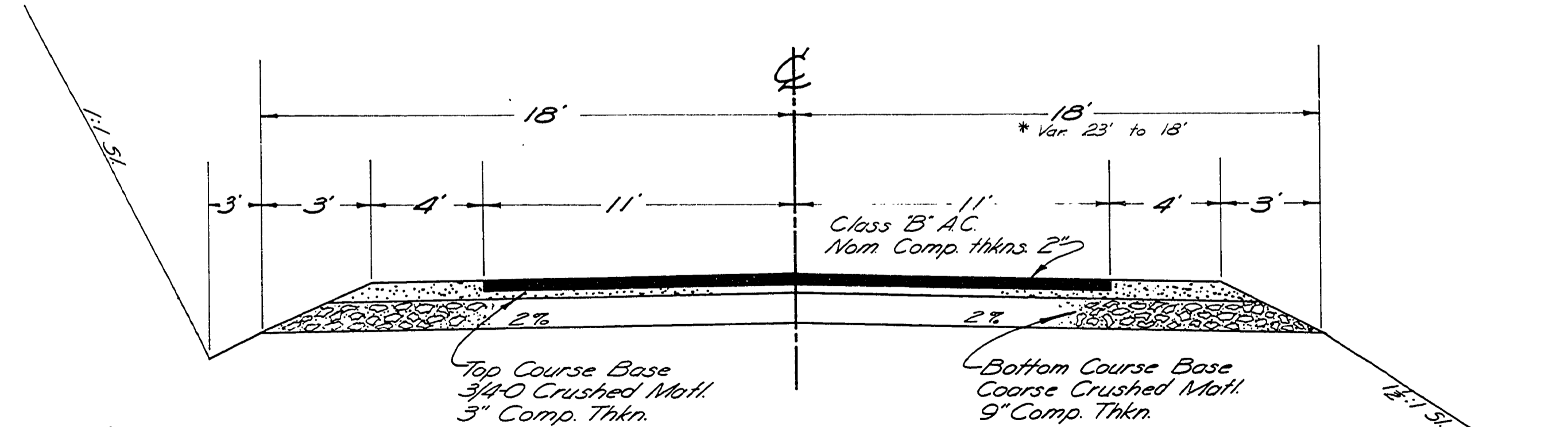
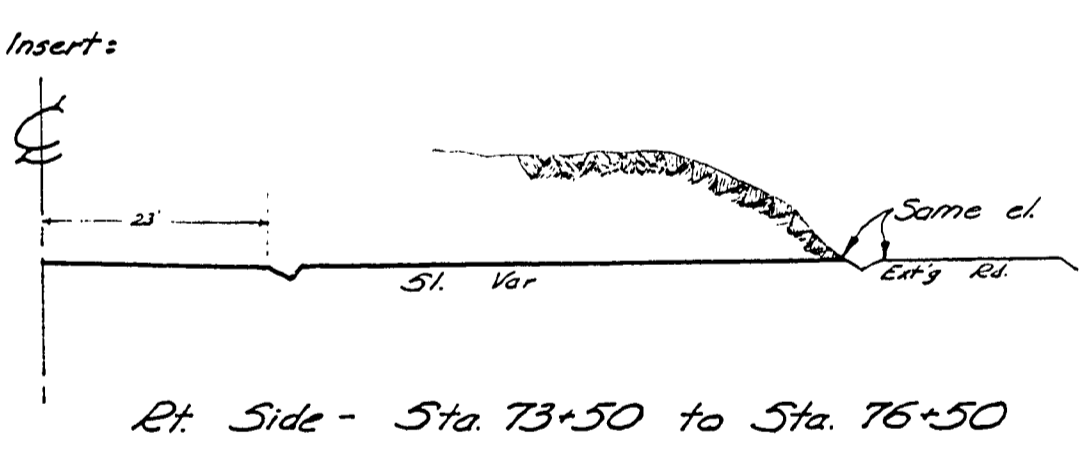
TYPICAL SECTIONS



STA. 0+00 TO STA. 30+00

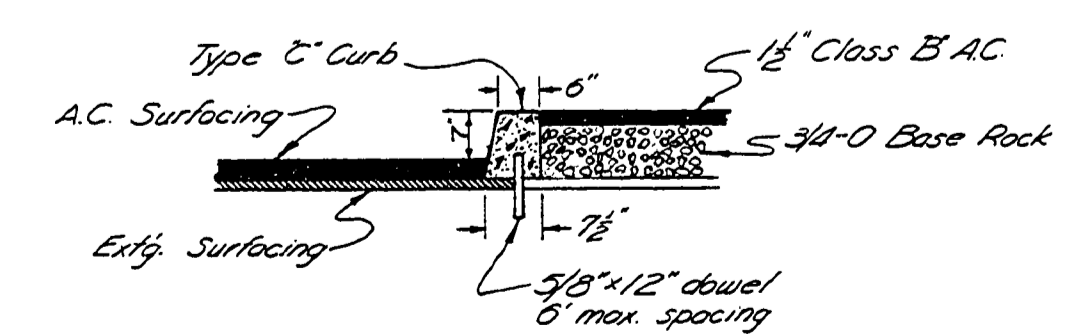
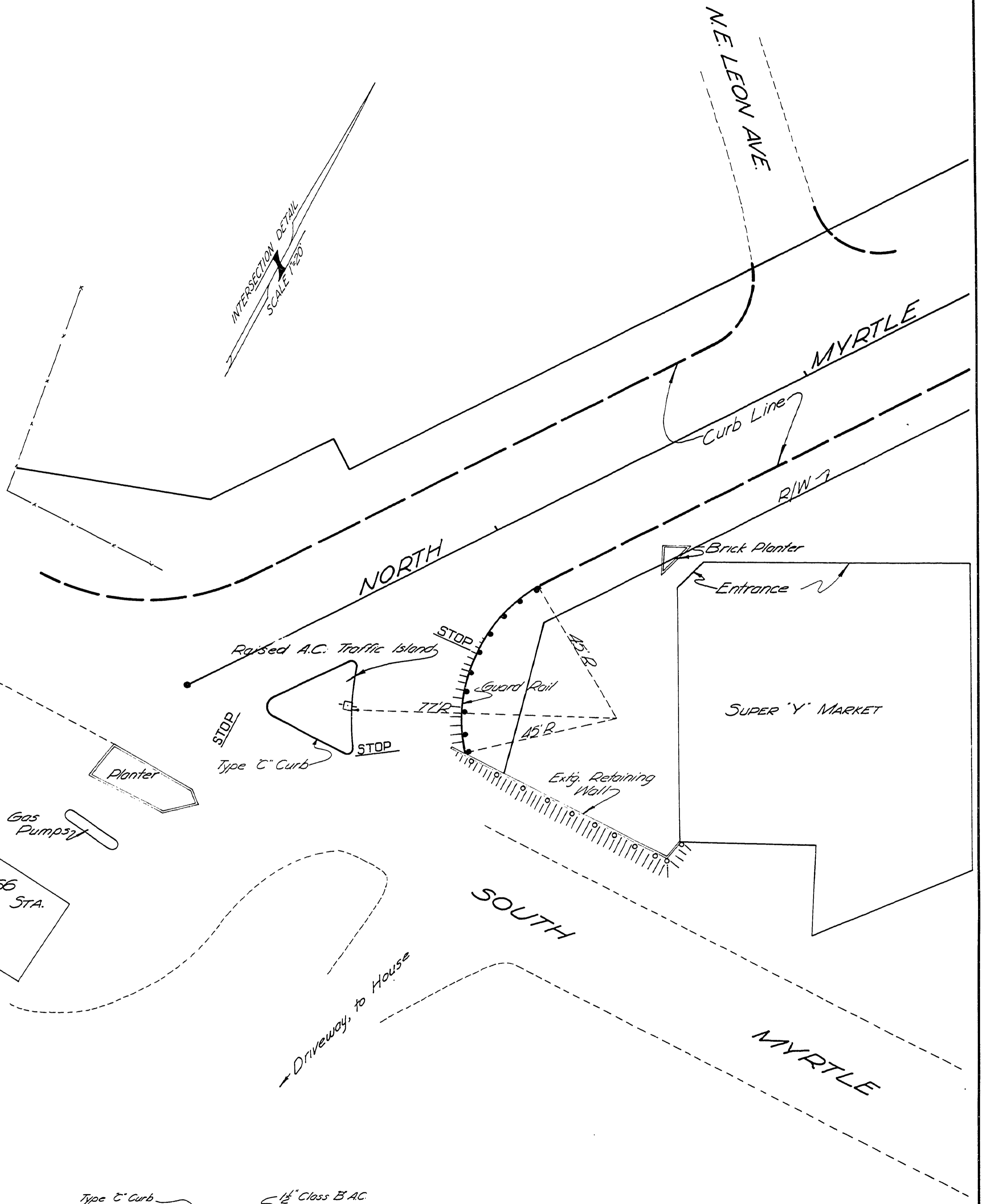


STA. 30+00 TO STA. 85+00



STA. 85+00 TO STA. 124+50

* Rt. side only 85+00 to 88+00, Taper Section



TYPICAL SECTION OF RAISED ISLAND

Douglas County Road Dept.
NORTH MYRTLE RD. #15
 Date: 2/68 Sheet 2 of 3
 GEORGE E. GRUBB County Engineer

0000024T