

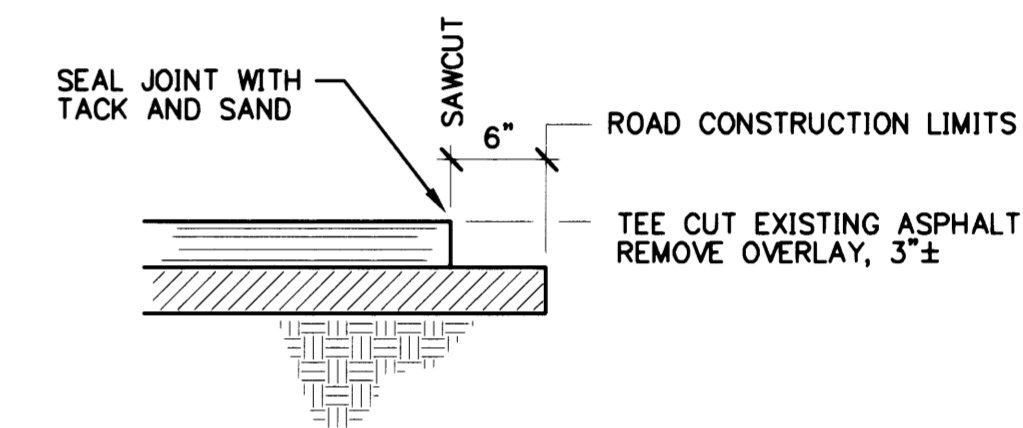
PAVEMENT MARKING NOTES:

ALL PAVEMENT MARKING SHALL CONFORM TO THE CURRENT OREGON DEPARTMENT OF TRANSPORTATION (ODOT) SPECIFICATIONS FOR BEAD BINDER PAINT OR HOT THERMOPLASTIC AS INDICATED ON THE DRAWINGS. ALL SIGNS AND MARKINGS SHALL CONFORM TO THE STANDARDS SET FORTH IN THE "MANUAL ON UNIFORM TRAFFIC CONTROL DEVICES", LATEST EDITION.

ALL ISLAND CURB AND TRAFFIC SEPARATOR CURB SHALL BE PAINTED YELLOW. REFLECTORS SHALL BE INSTALLED AS INDICATED ON SHEET C1.1.

PAVEMENT MARKING PLAN

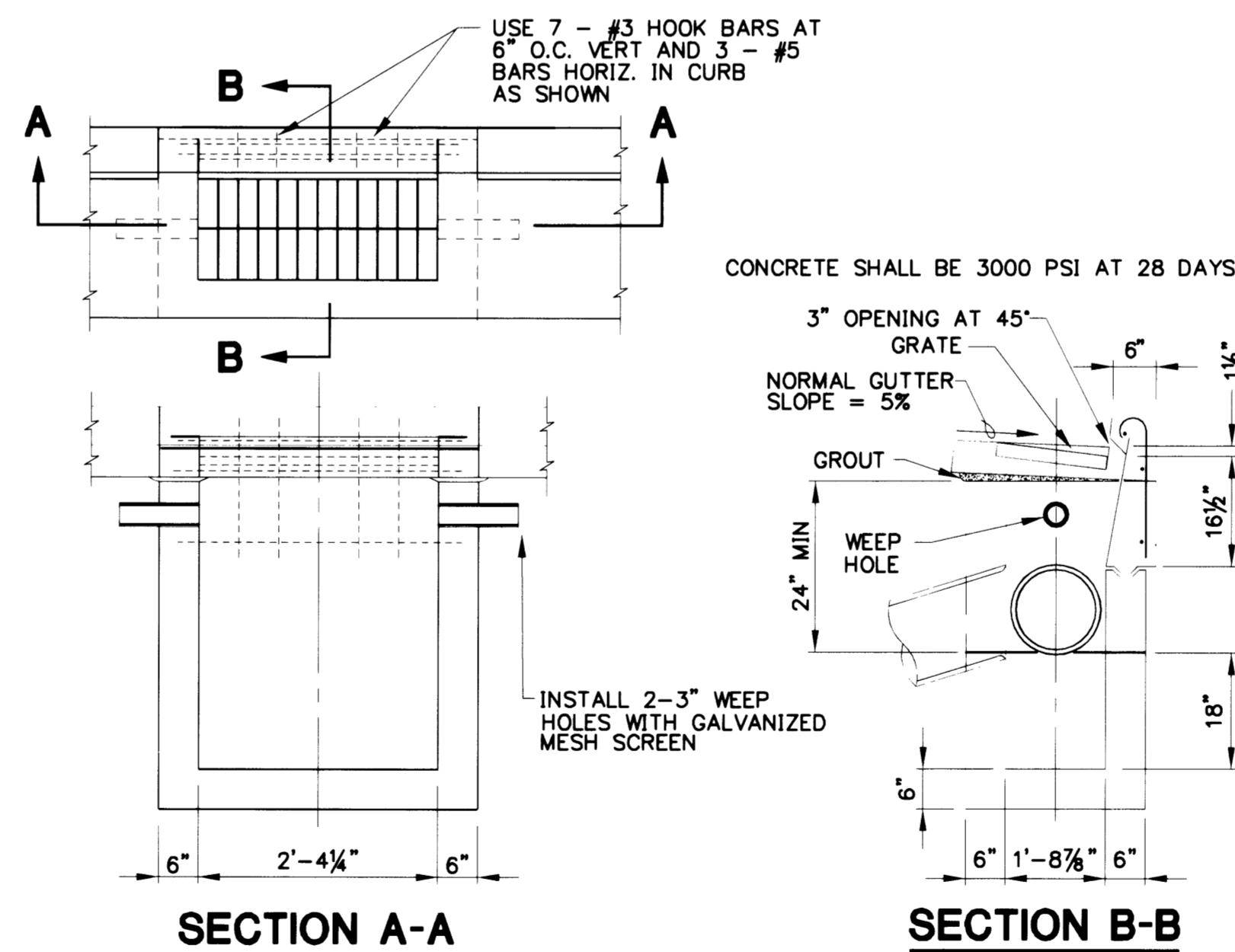
1" = 40'



ROAD CONNECTION SAWCUT

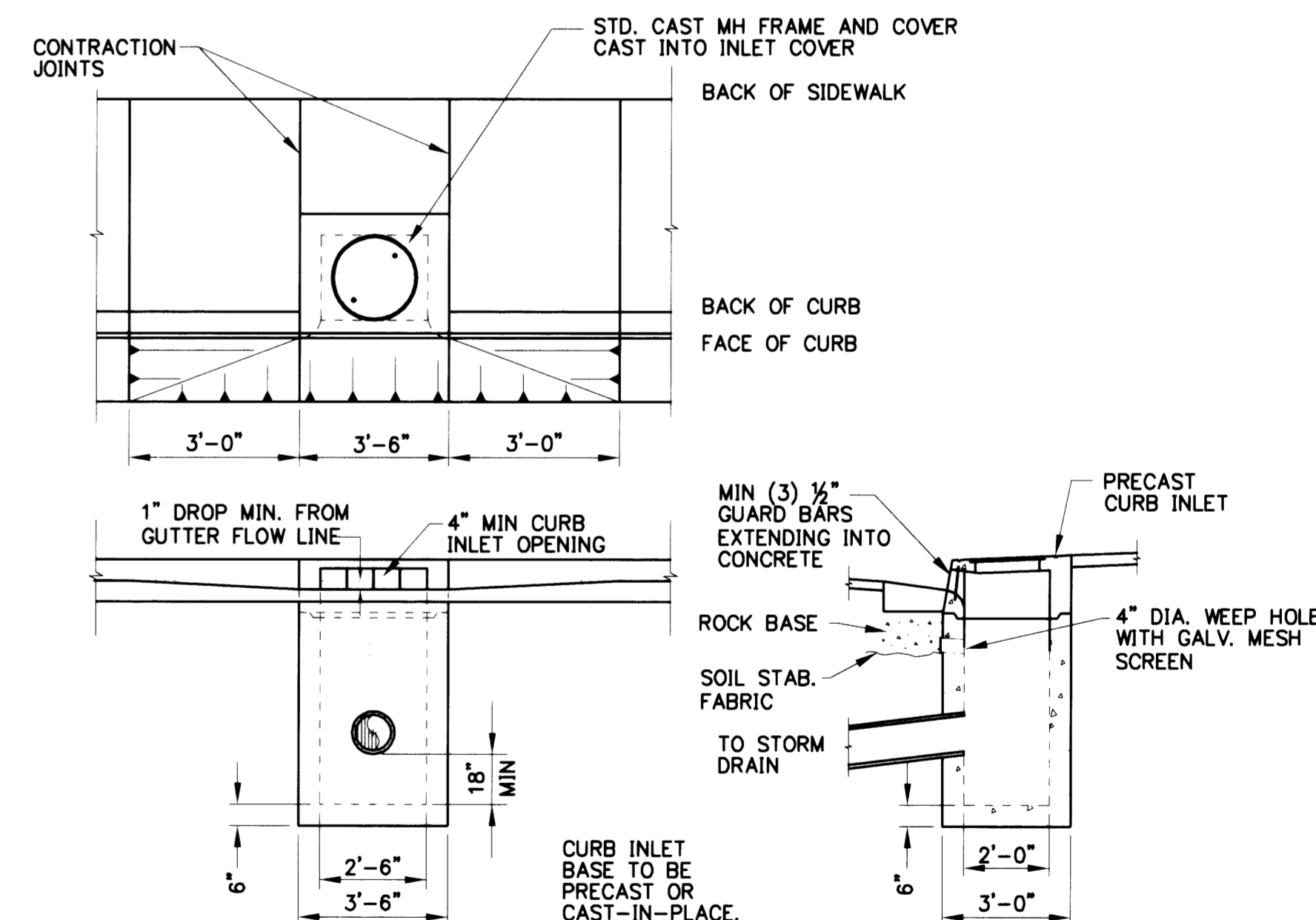
N.T.S.

- (A) LANE LINES:**
SINGLE WHITE STRIPE 10/30 PATTERN
- (B) REFUGE LINE:**
SOLID WHITE PAVEMENT LINES
- (C) MEDIAN LANE LINES:**
SINGLE SOLID PAVEMENT LINE AND SINGLE YELLOW STRIPE 10/30 PATTERN WITH BI-DIRECTIONAL YELLOW TYPE 1 REFLECTORIZED PAVEMENT MARKERS
- (D) SOLID YELLOW LINES:**
SINGLE YELLOW PAVEMENT LINE
- (E) WORD AND SYMBOL MARKINGS:**
ELONGATED WORD AND SYMBOLS, MIN. 8" HIGH INSTALLED USING HOT THERMOPLASTIC PAVEMENT MARKING MATERIALS PER SECTION 00850 OF THE ODOT STANDARD SPECIFICATIONS FOR HWY CONSTRUCTION.
- (F) CROSSWALKS:**
SOLID WHITE PAVEMENT LINES INSTALLED USING HOT THERMOPLASTIC PAVEMENT MARKING MATERIALS PER SECTION 00850 OF THE ODOT STANDARD SPECIFICATIONS FOR HWY CONSTRUCTION.
- (G) RAILROAD STOP BAR:**
SOLID WHITE PAVEMENT LINES INSTALLED USING HOT THERMOPLASTIC PAVEMENT MARKING MATERIALS PER SECTION 00850 OF THE ODOT STANDARD SPECIFICATIONS FOR HWY CONSTRUCTION.
- (H) STOP BAR:**
SOLID WHITE PAVEMENT LINES INSTALLED USING HOT THERMOPLASTIC PAVEMENT MARKING MATERIALS PER SECTION 00850 OF THE ODOT STANDARD SPECIFICATIONS FOR HWY CONSTRUCTION.
- (J) ADVANCE WARNING SIGN:**
AS SHOWN AND PER MANUAL ON UNIFORM TRAFFIC CONTROL DEVICES



CATCH BASIN DETAIL-TYPE A

BASED ON ODOT CG-1 CATCH BASIN N.T.S.



CURB INLET DETAIL - TYPE 2-1/2 A

N.T.S.

DATE	NO.	REVISION	BY	DES.	FILENAME	PROJECT	SHEET TITLE
FEB 2003	1	DRAWING OF RECORD	MJG	JDE	2784C1.3D	CITY OF ROSEBURG GARDEN VALLEY BLVD. IMPROVEMENTS PROJECT NO. 02UR03	PAVEMENT MARKING PLAN AND MISC DETAILS
				JDE	SCALE: AS SHOWN DATE: AUG 2002		
				DAL	APPROVED:		

CITY OF ROSEBURG
GARDEN VALLEY BLVD. IMPROVEMENTS
PROJECT NO. 02UR03

PAVEMENT MARKING PLAN
AND MISC DETAILS

LEE ENGINEERING, INC.
CONSULTING ENGINEERS
OREGON CITY, OREGON

JOB NO. 2784
SHEET NO. C1.3
5

000GVBL4