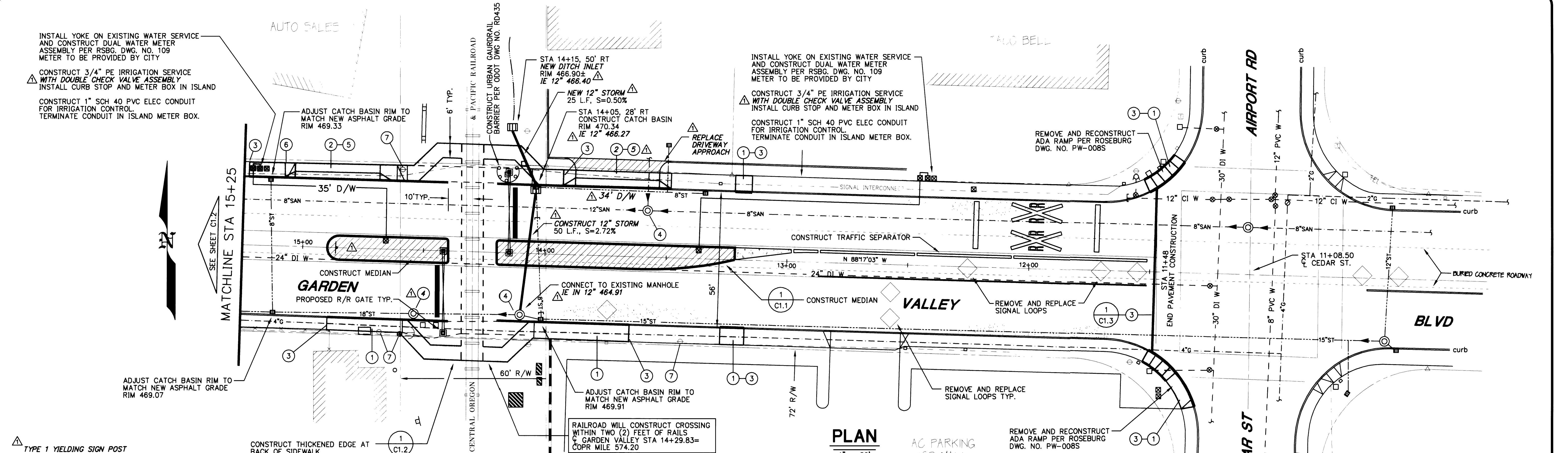


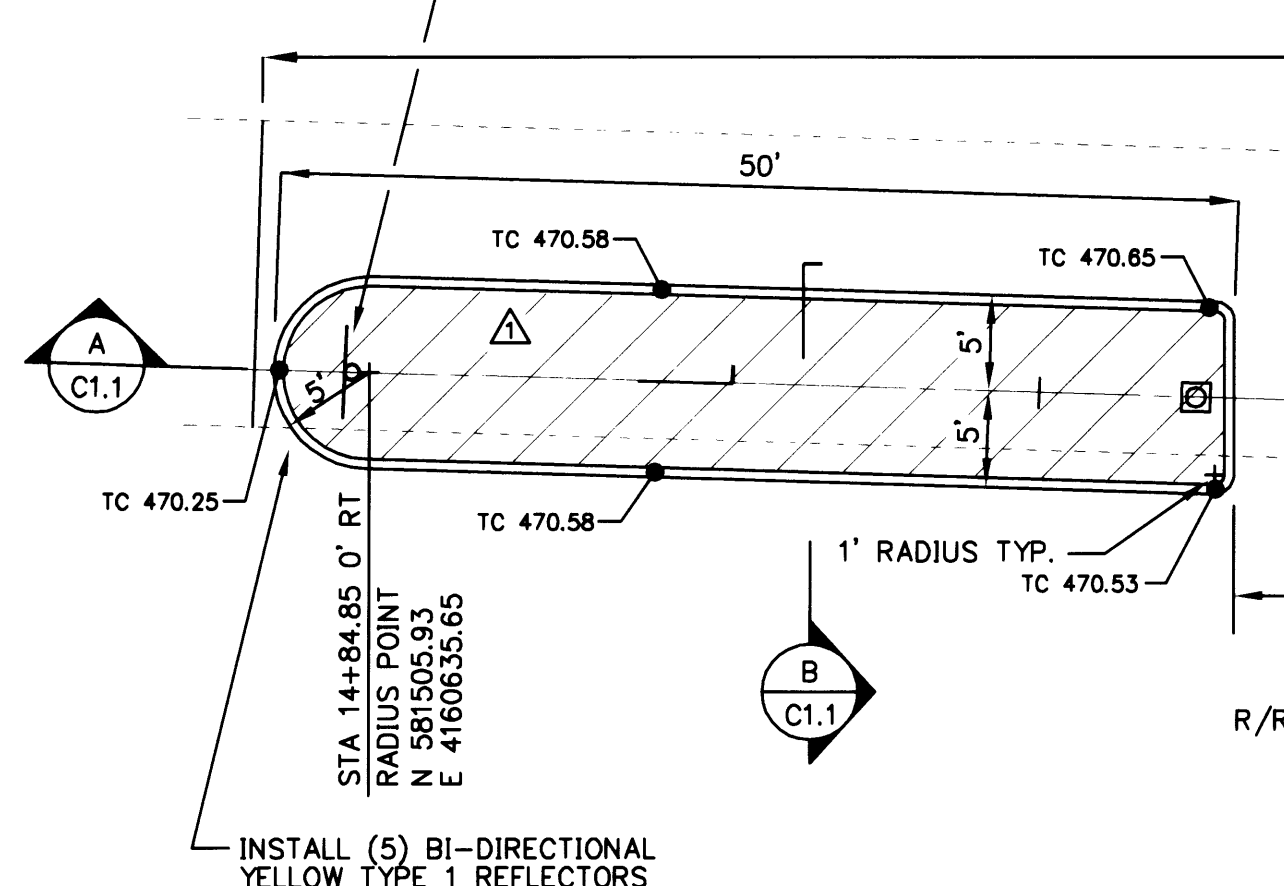
INSTALL YOKE ON EXISTING WATER SERVICE AND CONSTRUCT DUAL WATER METER ASSEMBLY PER RSBG DWG. NO. 109 METER TO BE PROVIDED BY CITY

CONSTRUCT 3/4" PE IRRIGATION SERVICE WITH DOUBLE CHECK VALVE ASSEMBLY INSTALL CURB STOP AND METER BOX IN ISLAND

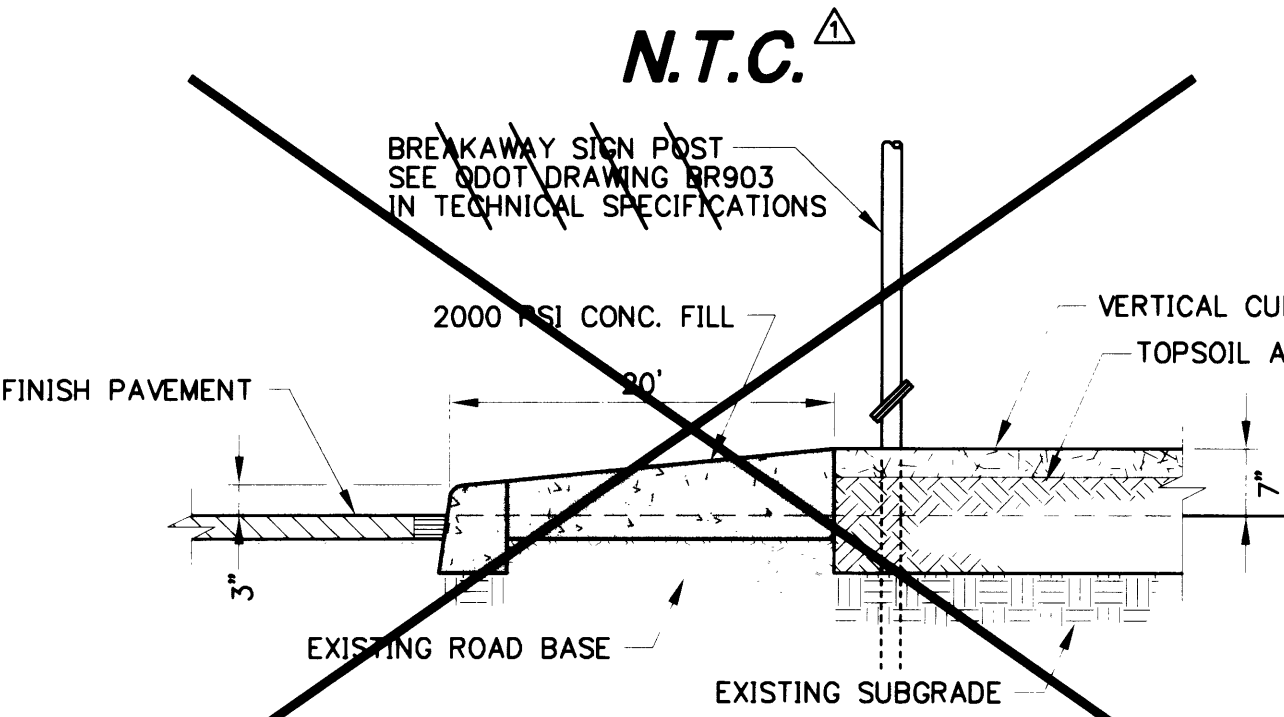
CONSTRUCT 1" SCH 40 PVC ELEC CONDUIT FOR IRRIGATION CONTROL TERMINATE CONDUIT IN ISLAND METER BOX.



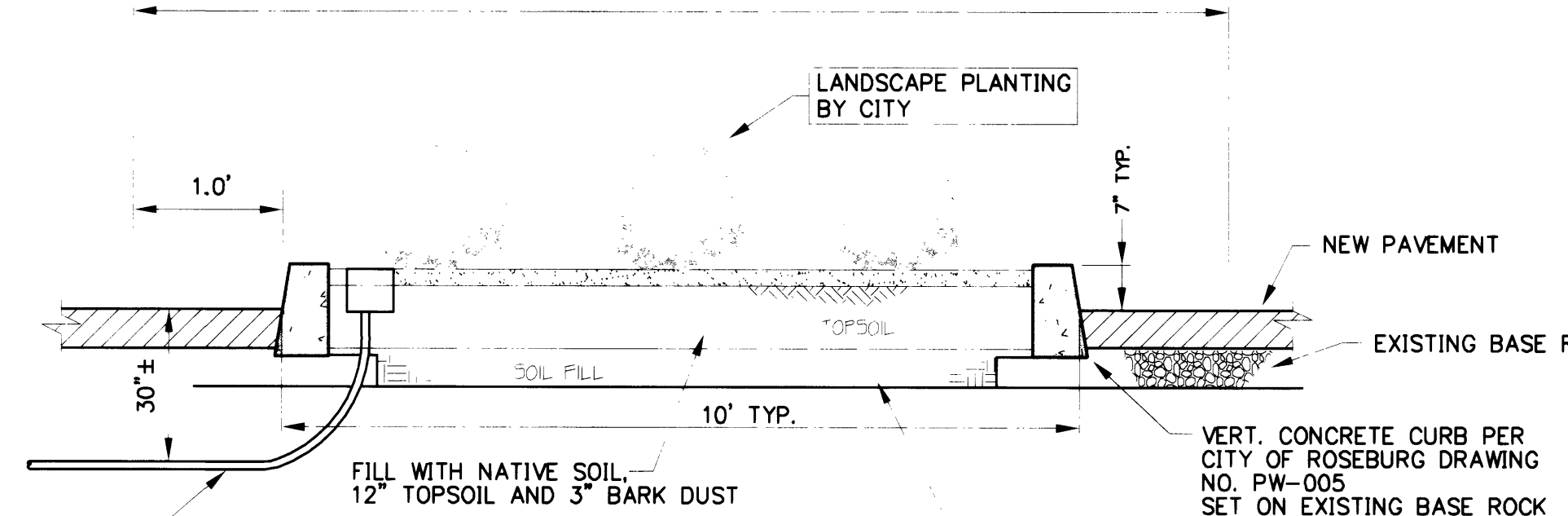
PLAN
1" = 20'



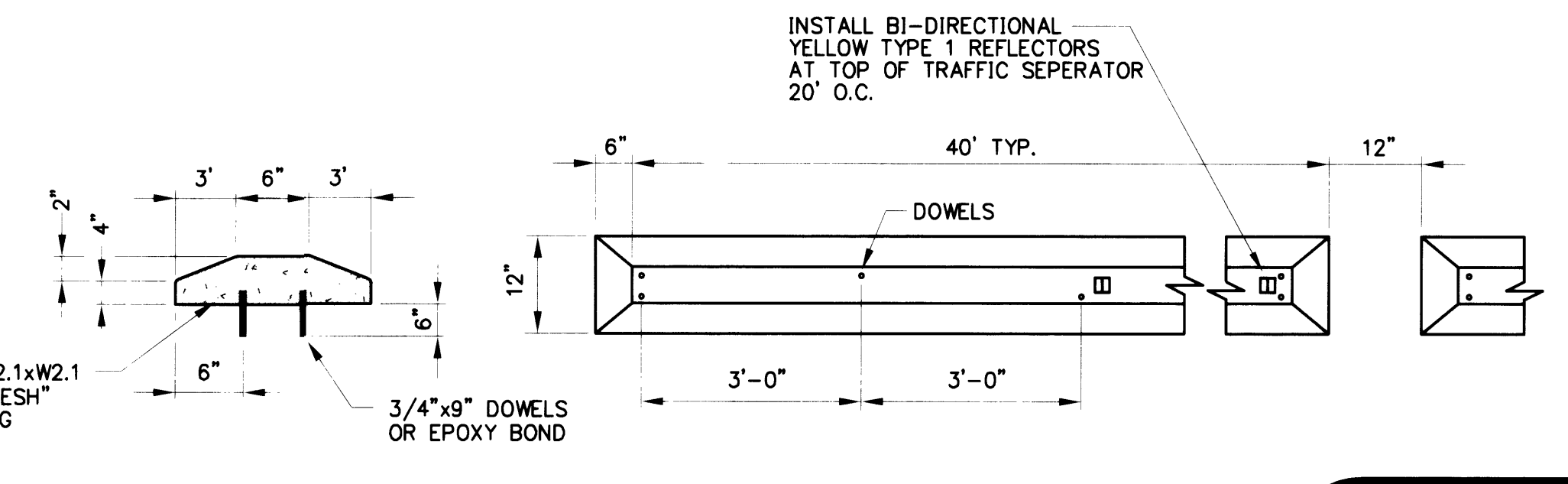
MEDIAN PLAN
1" = 10'



NOSE DOWN DETAIL
N.T.S.



MEDIAN SECTION
N.T.S.



CONCRETE TRAFFIC SEPERATOR
N.T.S.

DATE	NO.	REVISION	BY	DES	JDE	FILENAME	2784C1.1D	PROJECT	
FEB 2003	1	DRAWING OF RECORD	MJO	JDE	JDE	SCALE	AS SHOWN	DATE	AUG 2002
					DAL	APPROVED			

CITY OF ROSEBURG
GARDEN VALLEY BLVD IMPROVEMENTS
PROJECT NO. 02UR03

ROADWAY PLAN
STA 11+48 TO STA 15+25

LEE ENGINEERING, INC.
CONSULTING ENGINEERS
OREGON CITY, OREGON

JOB NO. 2784
SHEET NO. C1.1
5

000GVBL2