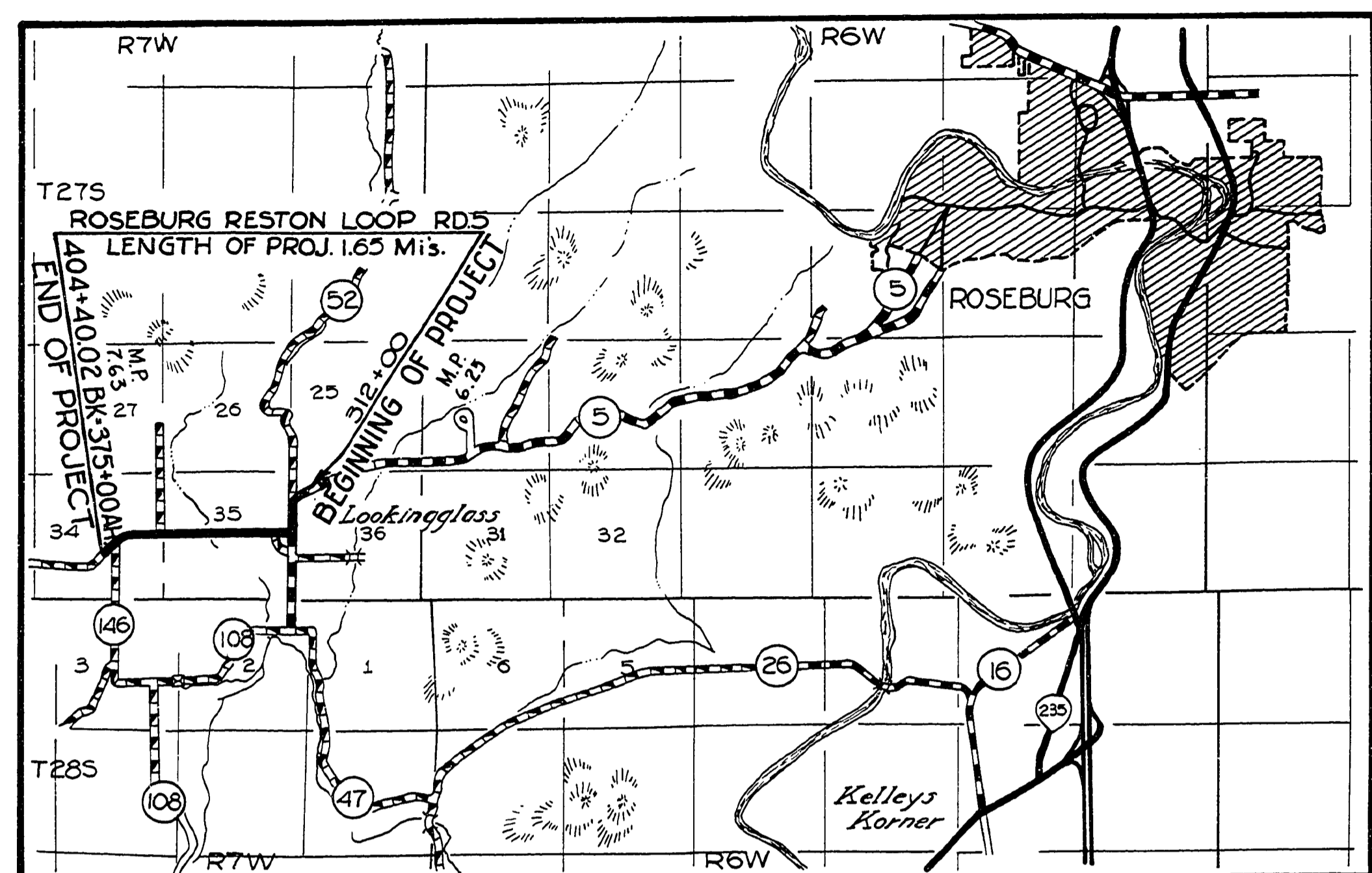


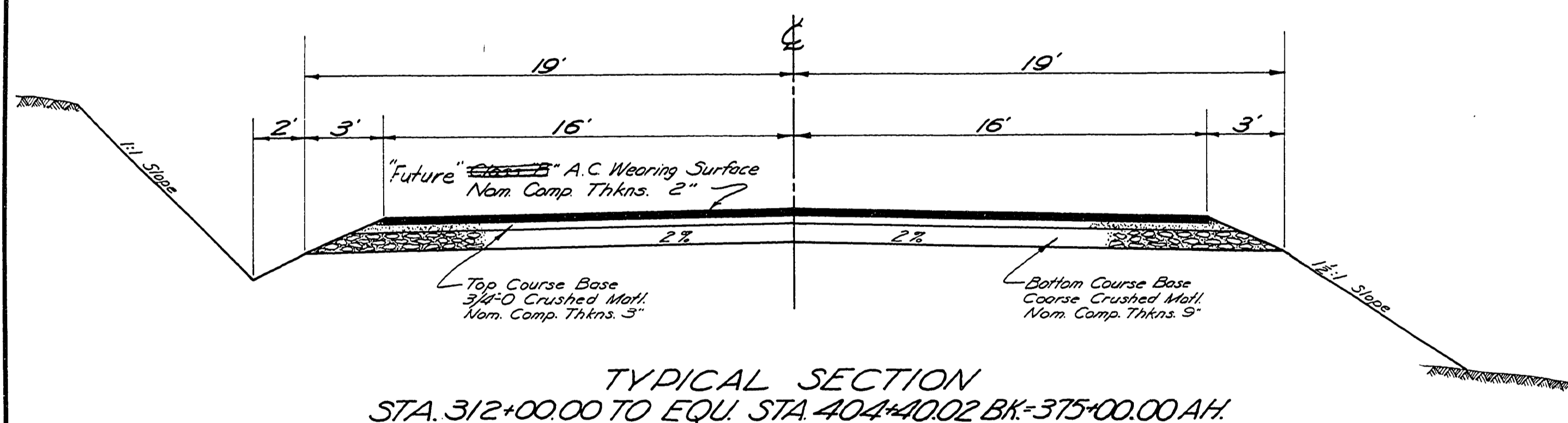
DOUGLAS COUNTY, OREGON  
 PLANS FOR PROPOSED PROJECT  
 GRADING & SURFACING

ROSEBURG RESTON LOOP, ROAD NO. 5  
 MILE POINT 6.23 to MILE POINT 7.87  
 SEPT. 1969

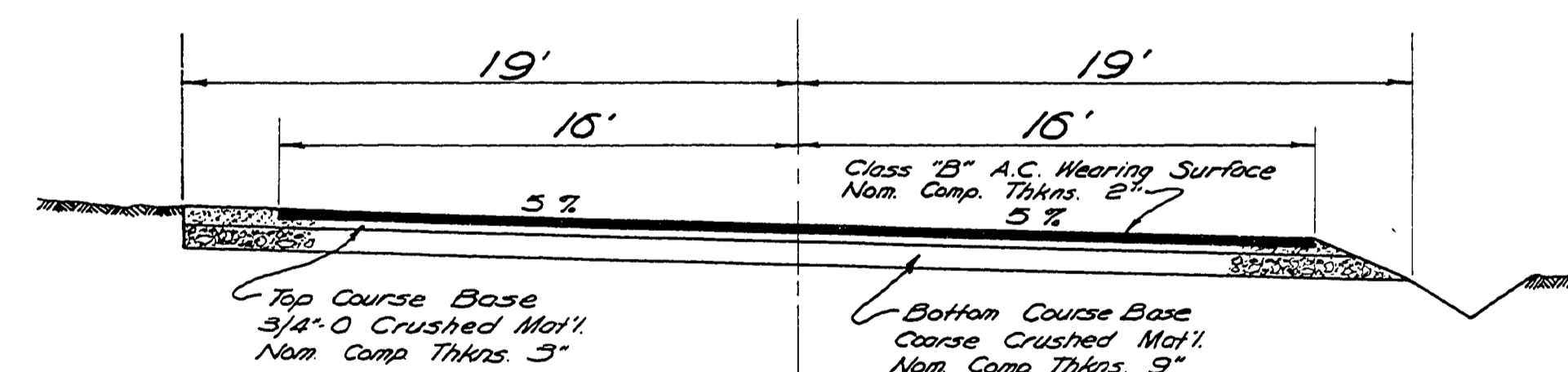


VICINITY MAP

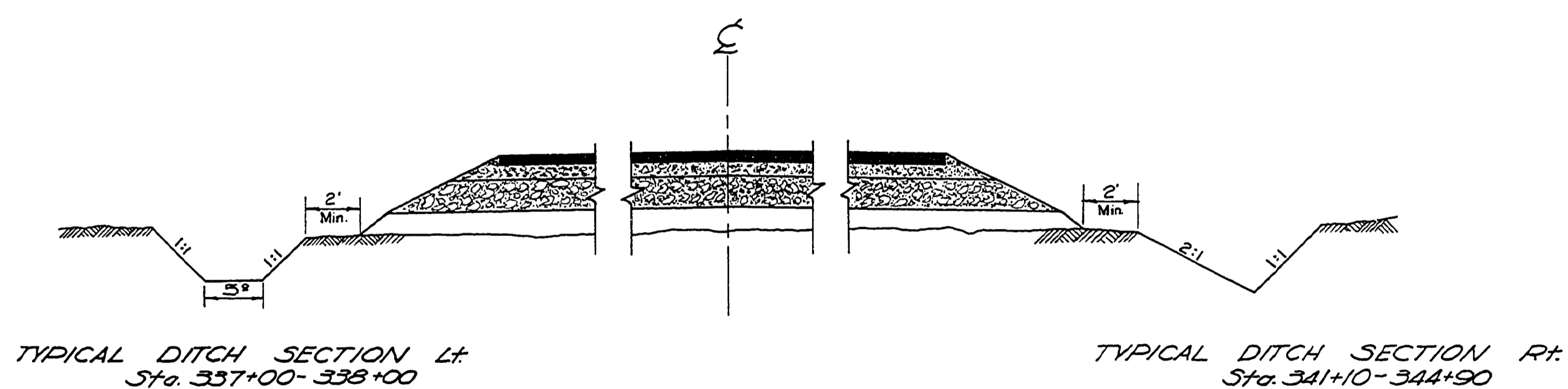
THESE PLANS CONTAIN  
 SHEETS 1 THROUGH 6  
 1 SHEET PIPE LIST  
 1 SHEET STANDARD SYMBOLS  
 TOTAL 8 SHTS.



TYPICAL SECTION  
 STA. 312+00.00 TO EQU. STA. 404+40.02 BK-375+00.00 AH.

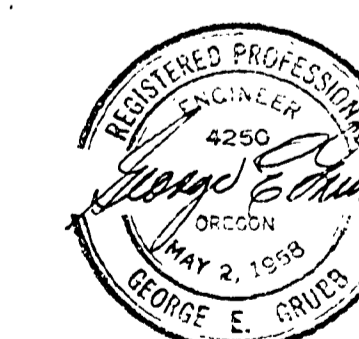


TYPICAL SECTION  
 Sta. 325+00 to Sta. 327+00 (Rd. #47)  
 Note: Sta. 324+00 to 325+00 and  
 327+00 to 328+00 transition  
 sections from normal crown.



TYPICAL DITCH SECTION LH  
 Sta. 337+00-338+00

TYPICAL DITCH SECTION RH  
 Sta. 341+10-344+90



Douglas County Road Dept.  
 ROSEBURG-RESTON-LOOP#5  
 Date: Sept. 1969 Sht. 1 of 6  
 George E. Grubb County Engineer

0623078C

Rd #5 247 1969 1-1-69 19