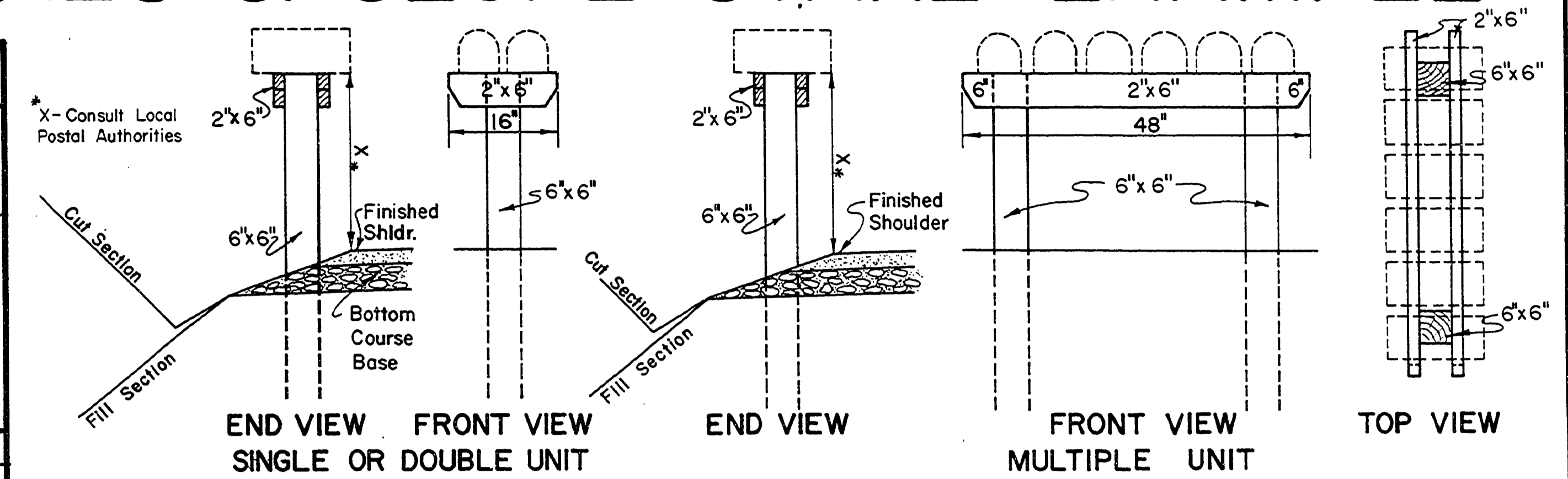


PIPE LIST, MAIL BOX STAND, DRIVEWAY TYPICALS & SLOPE STAKE EXAMPLE

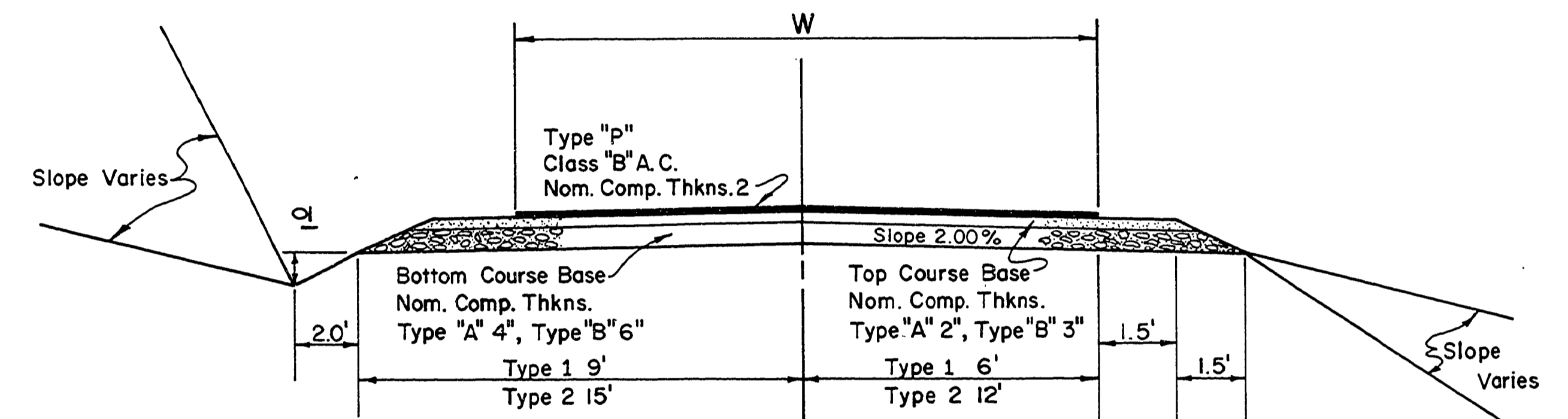
STATION	DIAMETER	LENGTH	PIPE LIST MATERIALS						TRENCH EXC. CU. YDS.	REMARKS STRUTTED END TREATMENT, IMPERFECT TRENCH ETC.	
			ALUMINUM			STEEL					CONCRETE CLASS III V
			ANNULAR CORR. GALV.	HELICAL CORR. GALV.	ASPHALT COATED	ANNULAR CORR. GALV.	HELICAL CORR. GALV.	ASPHALT COATED			
315+00	12"	34'				16	16	✓		2	Driveway
315+30	12"	24'				"	"	✓		2	"
316+45	12"	24'				"	"	✓		2	"
317+00	12"	24'				"	"	✓		2	"
318+40	12"	24'				"	"	✓		2	"
319+10	12"	24'				"	"	✓		2	"
319+40	12"	24'				"	"	✓		2	"
320+15	12"	24'				"	"	✓		2	"
320+30	12"	30'				"	"	✓		2	"
322+20	36"	52'				14	14	✓		2	Driveway
322+75	12"	30'				16	16	✓		2	"
323+30	12"	24'				"	"	✓		2	"
332+40	12"	24'				16	16	✓		2	Driveway
334+00	12"	40'				"	"	✓		3	"
334+40	12"	24'				"	"	✓		2	"
335+90	12"	40'				"	"	✓		3	"
337+00	36"	52'				14	14	✓		20	Driveway
337+65	36"	34'				"	"	✓		3	"
338+20	12"	24'				16	16	✓		2	"
338+40	12"	24'				"	"	✓		2	"
339+00	12"	34'				"	"	✓		2	"
339+65	12"	24'				"	"	✓		2	"
339+65	12"	24'				"	"	✓		2	"
340+15	12"	24'				16	16	✓		2	Driveway
341+55	36"	30'				14	14	✓		3	"
341+70	12"	24'				16	16	✓		2	"
342+00	36"	30'				14	14	✓		6	"
343+60	12"	24'				16	16	✓		2	"
347+08	12"	24'				"	"	✓		2	"
351+15	12"	24'				"	"	✓		2	"
353+15	12"	24'				"	"	✓		2	"
358+25	12"	30'				"	"	✓		2	"
358+65	72"x44"	56'				"	"	✓		4	"
367+30	12"	24'				16	16	✓		2	Driveway
371+35	12"	24'				"	"	✓		2	"
371+35	12"	24'				"	"	✓		2	"
376+05	12"	24'				"	"	✓		2	"
378+30	24"	48'				"	"	✓		7	Driveway
384+55	12"	34'				"	"	✓		3	"
388+00	12"	24'				"	"	✓		2	"
392+75	24"	42'				"	"	✓		18	"
399+35	12"	24'				"	"	✓		2	Driveway
400+15	12"	24'				"	"	✓		2	"
400+45	12"	24'				"	"	✓		2	"

NOTE: PIPE LENGTHS & LOCATIONS TO BE VERIFIED IN FIELD.



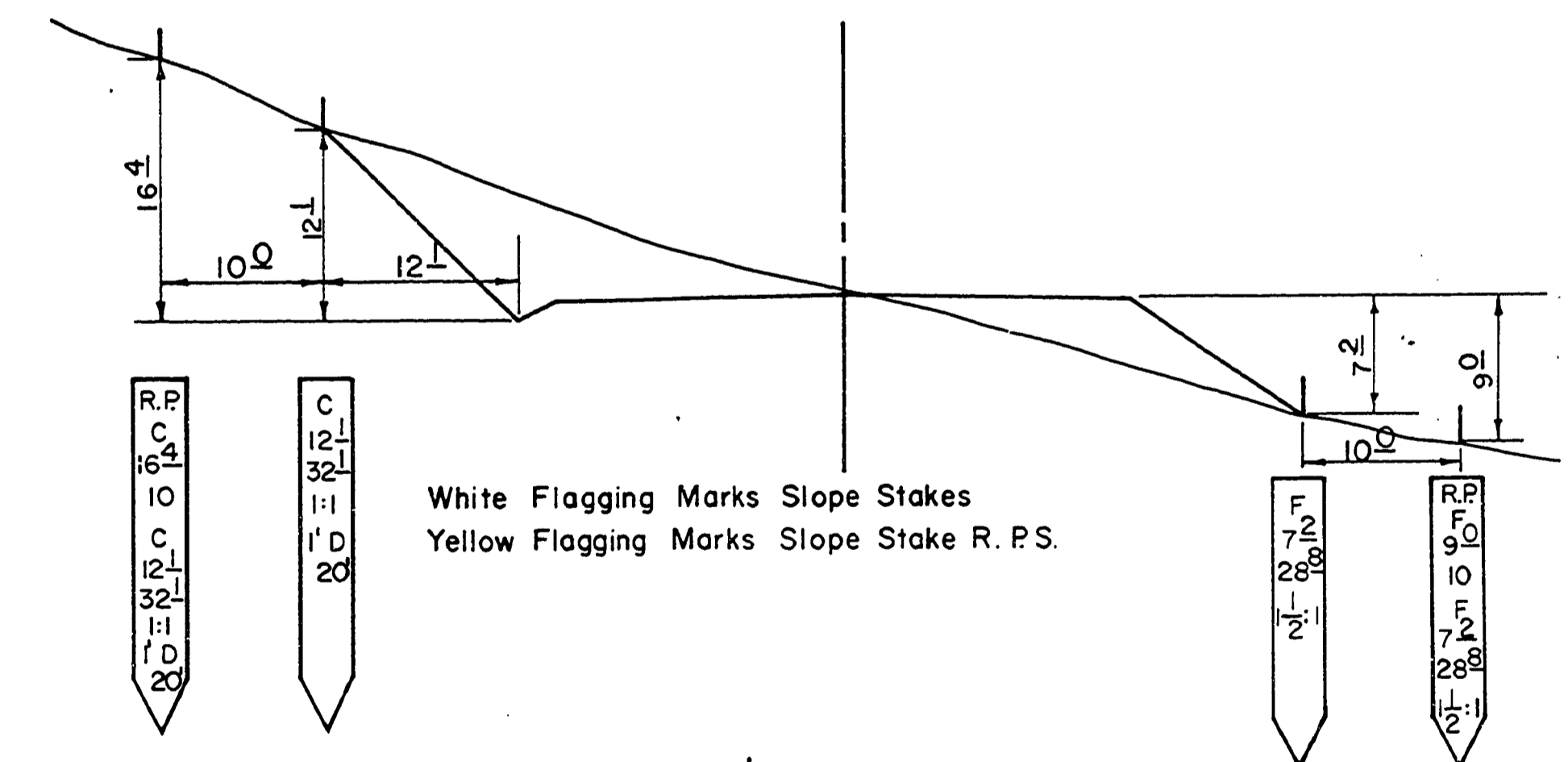
NOTE: All Posts to be of Cedar, Posts to be Set a Minimum of 24" Below the Surface of the Ground.

TYPICAL MAIL BOX STAND



TYPICAL SECTION
TYPE 1 & 2 SURFACING WIDTHS
TYPE A & B SURFACING THICKNESS
TYPE P (P SIGNIFIES PAVING REQUIRED)

RURAL DRIVEWAY & ROAD APPROACH STANDARD



SLOPE STAKE EXAMPLE

TYPICAL MARKING BACK OF STAKE.



JOB NAME *Rhs - Paston Loop*
JOB NUMBER *5*
DATE *SEPT. 1969*
Douglas County Road Dept.
PIPE LIST, MAIL BOX STAND RURAL DRIVEWAY & SLOPE STAKE EX.
Date: May 1969 Stnd. Dwg. 1

0342PLMB

K. #5 RD #5