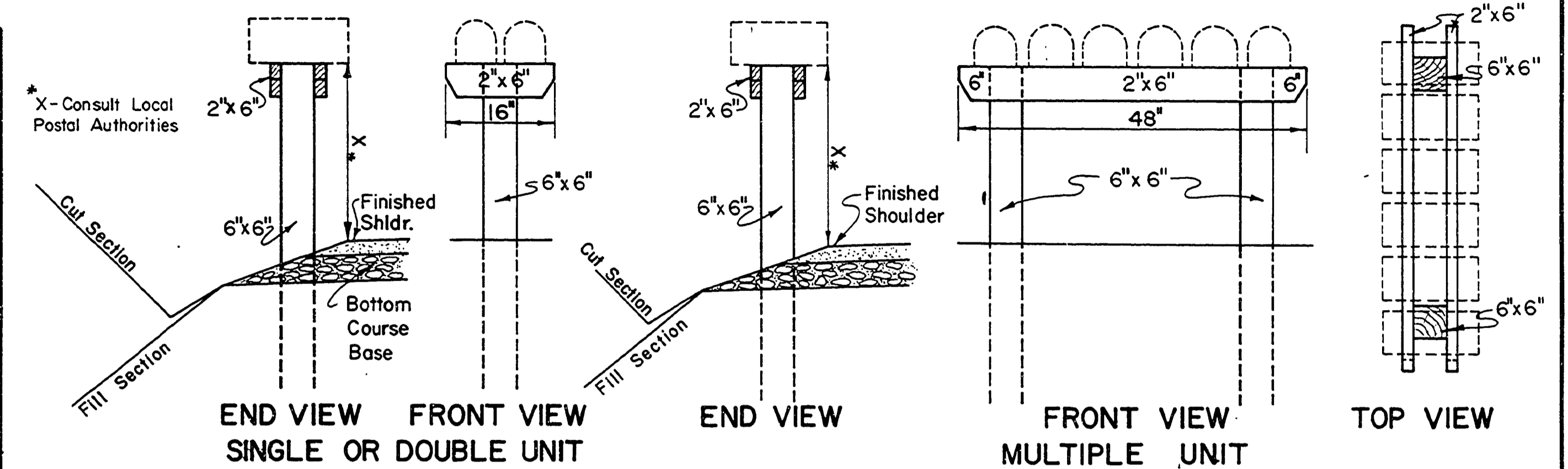


# PIPE LIST, MAIL BOX STAND, DRIVEWAY TYPICALS & SLOPE STAKE EXAMPLE

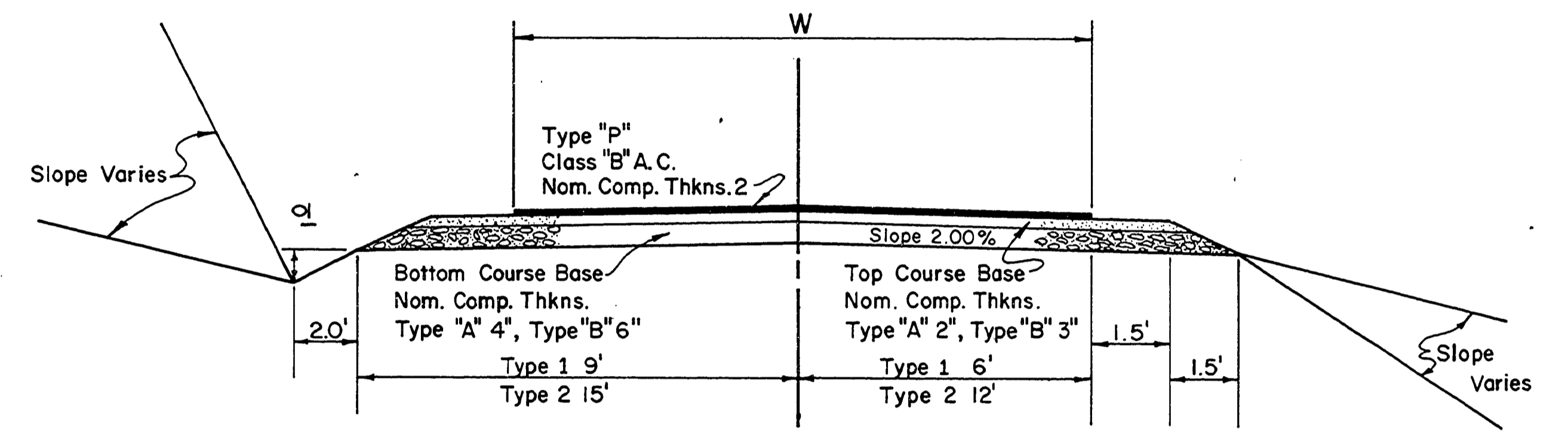
STATION	DIAMETER	LENGTH	PIPE LIST MATERIALS						TRENCH EXC. CU. YDS.	REMARKS STRUTTED END TREATMENT, IMPERFECT TRENCH ETC.	
			ALUMINUM			GALV. STEEL					CONCRETE CLASS III, IV
			ANNULAR CORR. GAGE	HELICAL CORR.	ASPHALT COATED	ANNULAR CORR. GAGE	HELICAL CORR.	ASPHALT COATED			
176+50	24"	56'				16	16		2		
183+75	18"	40'							35	Const. Outlet Ditch	
190+10	18"	56'							11		
194+50	18"	56'							28		
203+00	18"	56'							2		
212+00	18"	52'							3		
212+80	60"	34'				10			3	Const. Outlet Ditch	
219+00	18"	52'				16	16		13		
222+00	12"	32'							2	Driveway	
223+50	12"	50'							3	"	
223+70	60"	130'				10			375	Sloped Ends	
239+00	12"	30'				16	16		2	Driveway	
241+50	12"	30'							2	"	
243+00	12"	30'							2	"	
246+00	36"	36'				14	14		2	Driveway	
250+25	60"	56'				10			47	Sloped Ends	
253+00	12"	30'				16	16		2	Driveway	
257+00	12"	60'							4	"	
264+50	24"	40'							12		
267+50	12"	30'							2	Driveway	
270+00	12"	30'							2	"	
271+00	12"	30'							2	"	
273+00	12"	30'							2	"	
273+50	12"	30'							2	"	
277+50	12"	30'				16	16		2	Driveway	
278+50	12"	30'							2	"	
282+50	12"	30'							2	"	
284+00	36"	48'				14	14		27		
287+10	12"	30'				16	16		2	Driveway	
293+70	36"	64'				14	14		36		
297+00	12"	30'				16	16		2	Driveway	
301+50	12"	30'							2	"	
303+70	12"	30'							2	"	
305+00	12"	30'							2	"	
309+80	18"	52'							7		
310+50	12"	30'							2	Driveway	

NOTE: PIPE LENGTHS & LOCATIONS TO BE VERIFIED IN FIELD.



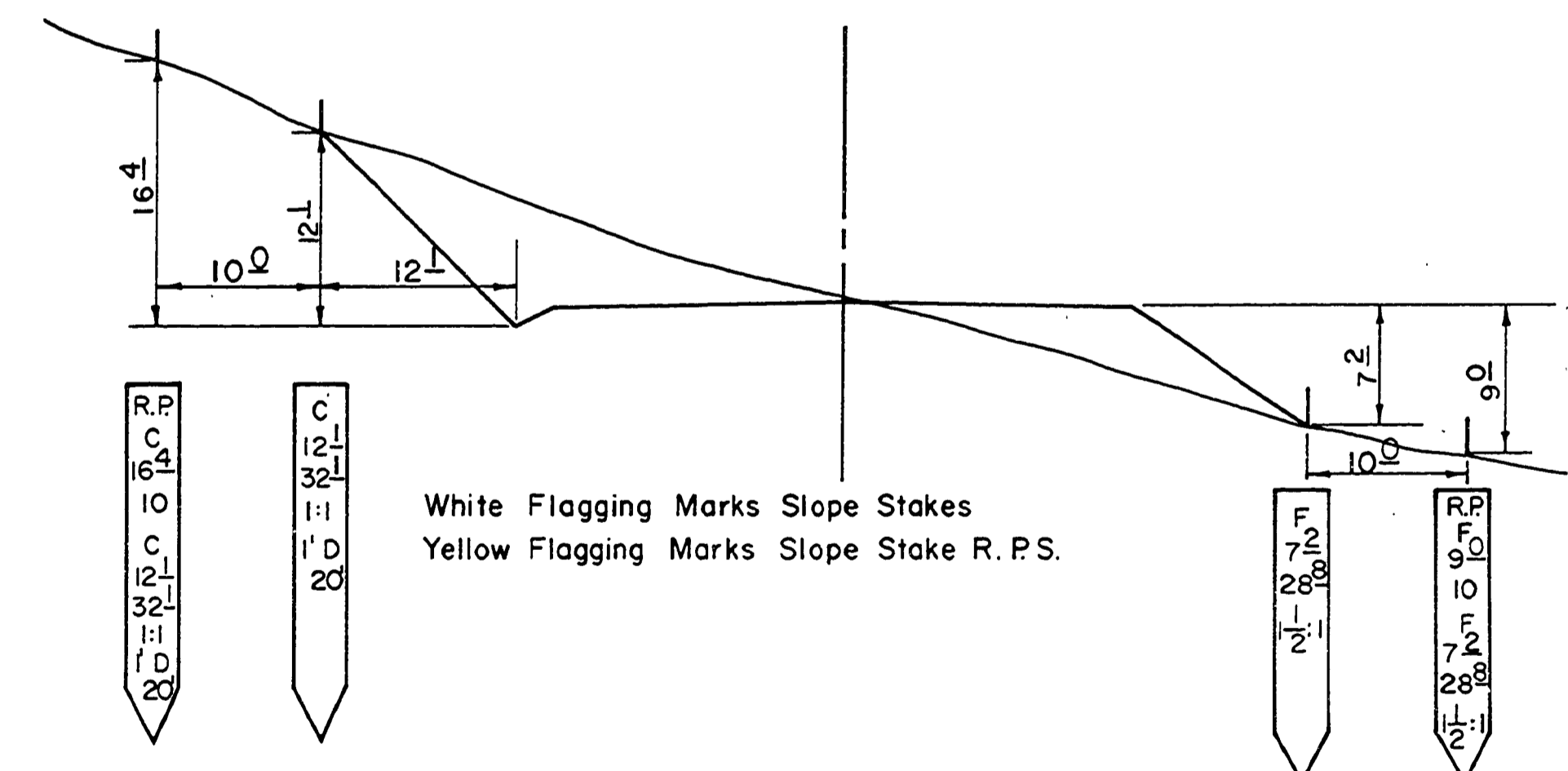
NOTE: All Posts to be of Cedar, Posts to be Set a Minimum of 24" Below the Surface of the Ground.

## TYPICAL MAIL BOX STAND



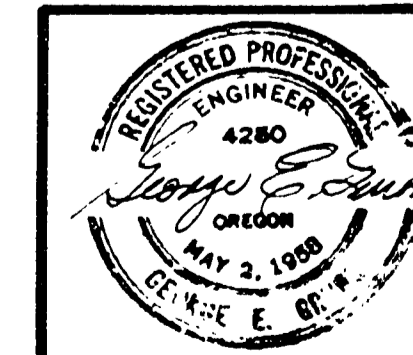
TYPICAL SECTION  
TYPE 1 & 2 SURFACING WIDTHS  
TYPE A & B SURFACING THICKNESS  
TYPE P (P SIGNIFIES PAVING REQUIRED)

## RURAL DRIVEWAY & ROAD APPROACH STANDARD



## SLOPE STAKE EXAMPLE

TYPICAL MARKING BACK OF STAKE.



JOB NAME *Revised - Renton Loop*  
 JOB NUMBER *5 (West Unit Loop Hill)*  
 DATE *SEPT 1969*  
 Douglas County Road Dept.  
 PIPE LIST, MAIL BOX STAND RURAL DRIVEWAY & SLOPE STAKE EX.  
 Date: May 1969 Std. Dwg. 1

0342DWSS

*RD #5*