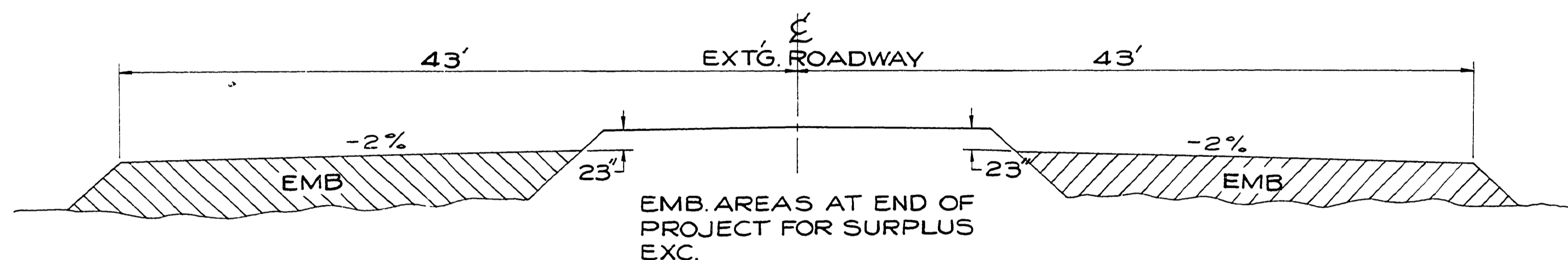
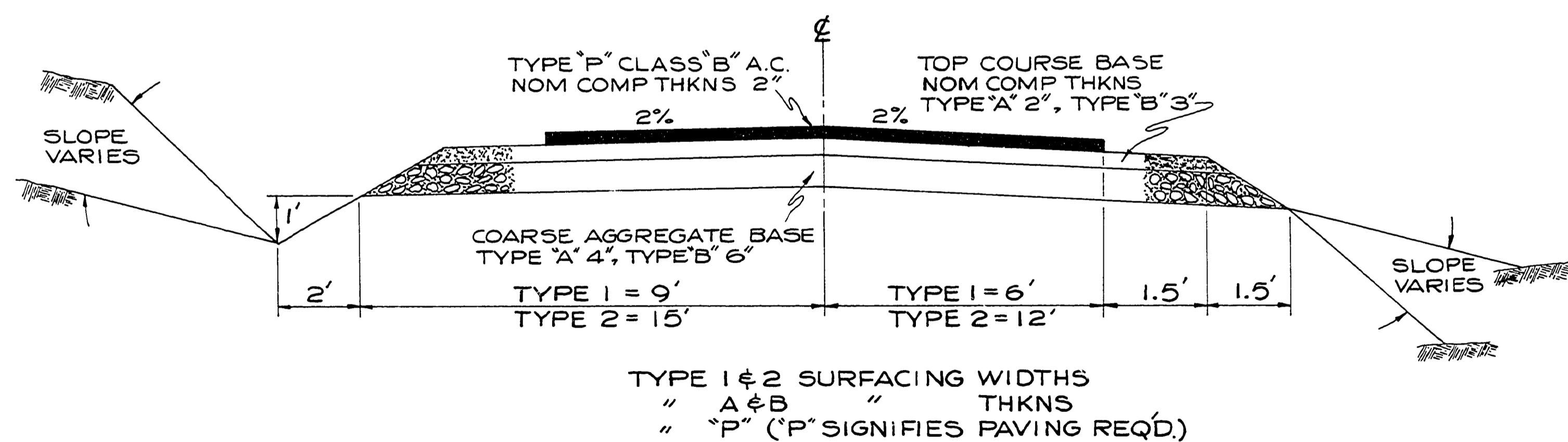
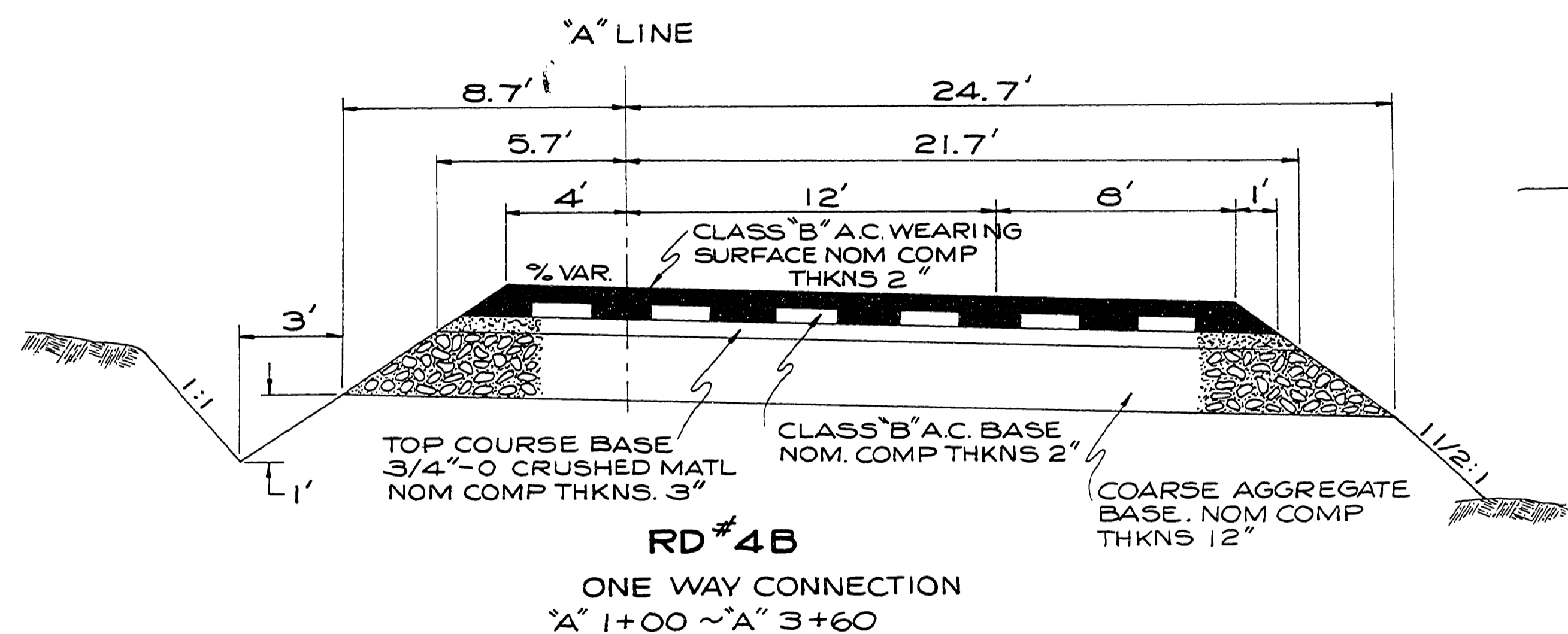
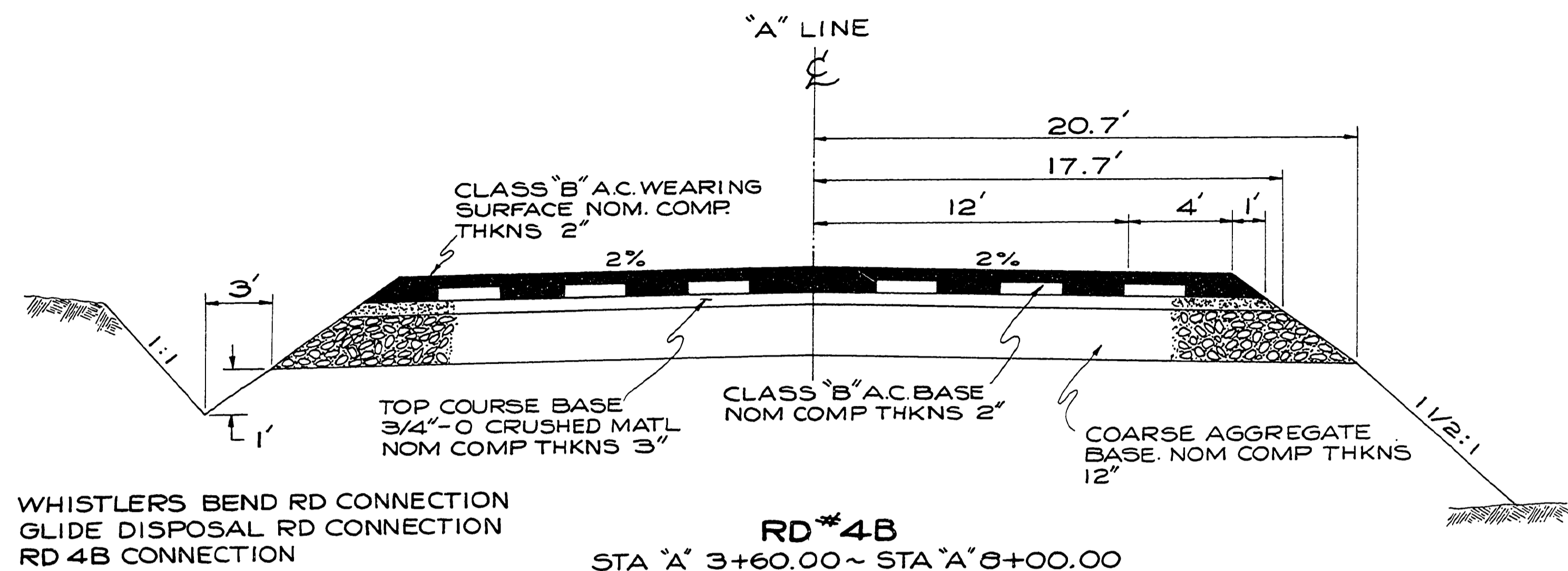
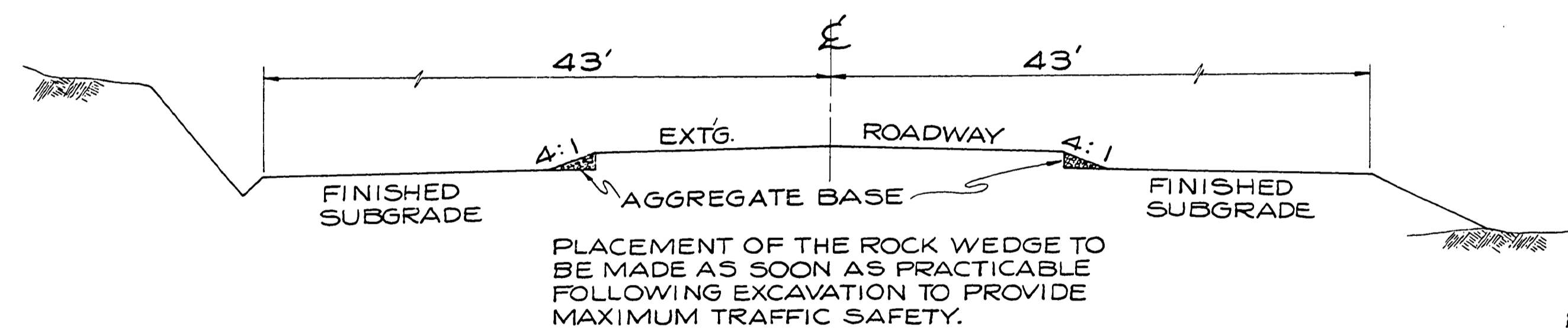


# TYPICAL SECTIONS

FILED  
RECEIVED  
COUNTY SURVEYOR  
DOUGLAS COUNTY, ORE.



STA 697+40 ~ STA 701+50  
" 711+50 ~ " 721+40  
ADDITIONAL 960' STA 721+40  
TO STA 731+00 AVAILABLE  
IF REQ'D.  
DO NOT PLACE SURPLUS MAT'L. UNTIL  
QUAN. OF SURPLUS MAT'L IS POSITIVELY  
KNOWN.



NOTE: GRAVEL SURFACE ALL DRIVEWAYS  
& ROADWAY SUBGRADE INTO DRIVE-  
WAYS, PHASE 1 CONST.

NOT REVISED  
AS CONSTRUCTED

DOUGLAS COUNTY ROAD DEPT  
NORTH UMPQUA HWY RD #4  
1972 SHT 3  
GEORGE E. GRUBB COUNTY ENGR.

0000TYP

Rd. #4

1972 3/12

73