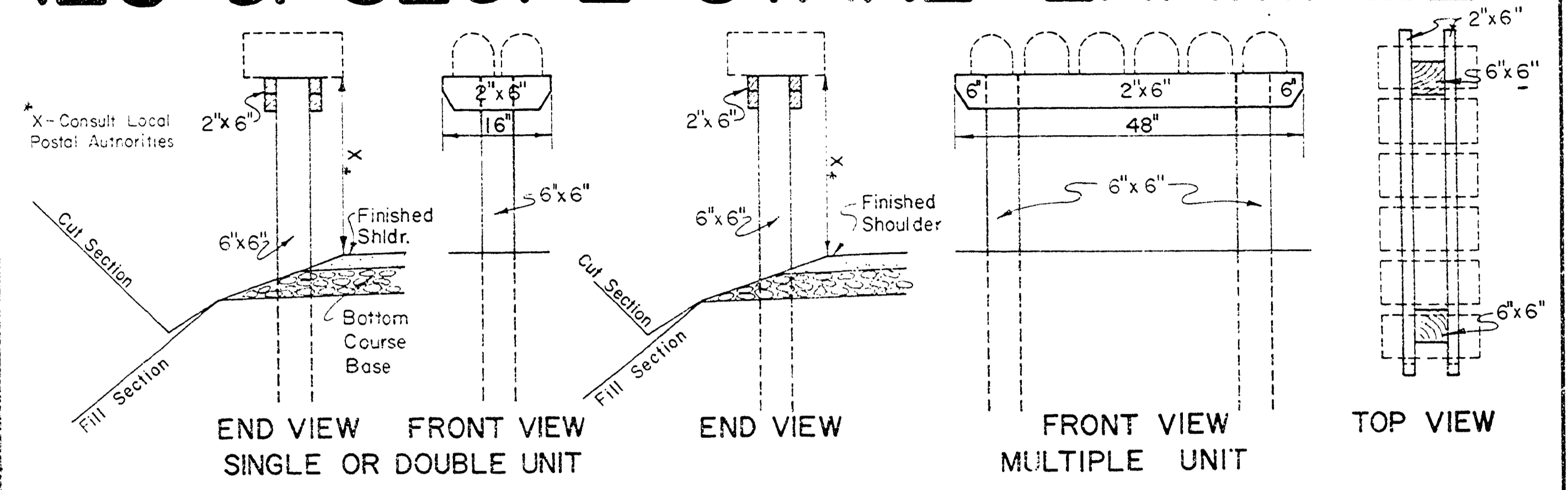


PIPE LIST, MAIL BOX STAND, DRIVEWAY TYPICALS & SLOPE STAKE EXAMPLE

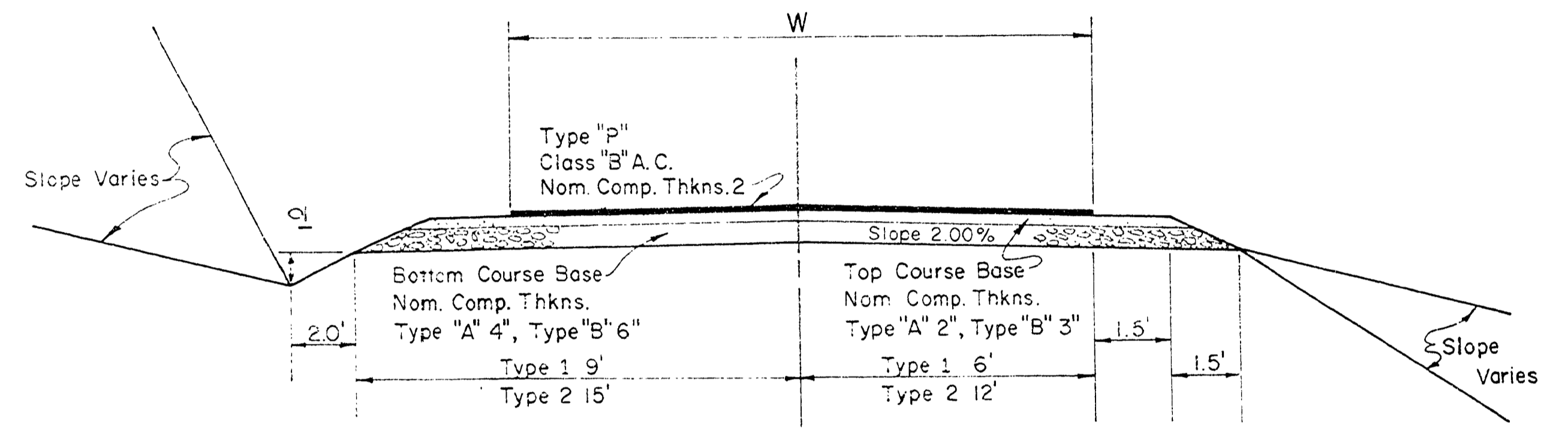
STATION	DIAMETER	LENGTH	PIPE LIST					TRENCH EXC. CU. YDS.	REMARKS	
			ALUMINUM			GALV. STEEL				CONCRETE
			ANNULAR CORR. GAGE	HELICAL CORR.	ASPHALT COATED	ANNULAR CORR. GAGE	HELICAL CORR. ASPHALT COATED			CLASS III V Conc. Pipe thru 18" may be un-reinforced if strength meets class III bearing requirements
514+74	18"	108'				✓	60	Slanted Ends		
527+87	60"	112'				✓	156			
530+80	12"	40'				✓	2			
534+50	12"	40'				✓	2			
547+75	12"	24'				✓	1			
554+00	18"	24'				✓	2			
561+70	36"	40'				✓	4			
564+23	18"	34'				✓	2			

NOTE: PIPE LENGTHS & LOCATIONS TO BE VERIFIED IN FIELD.



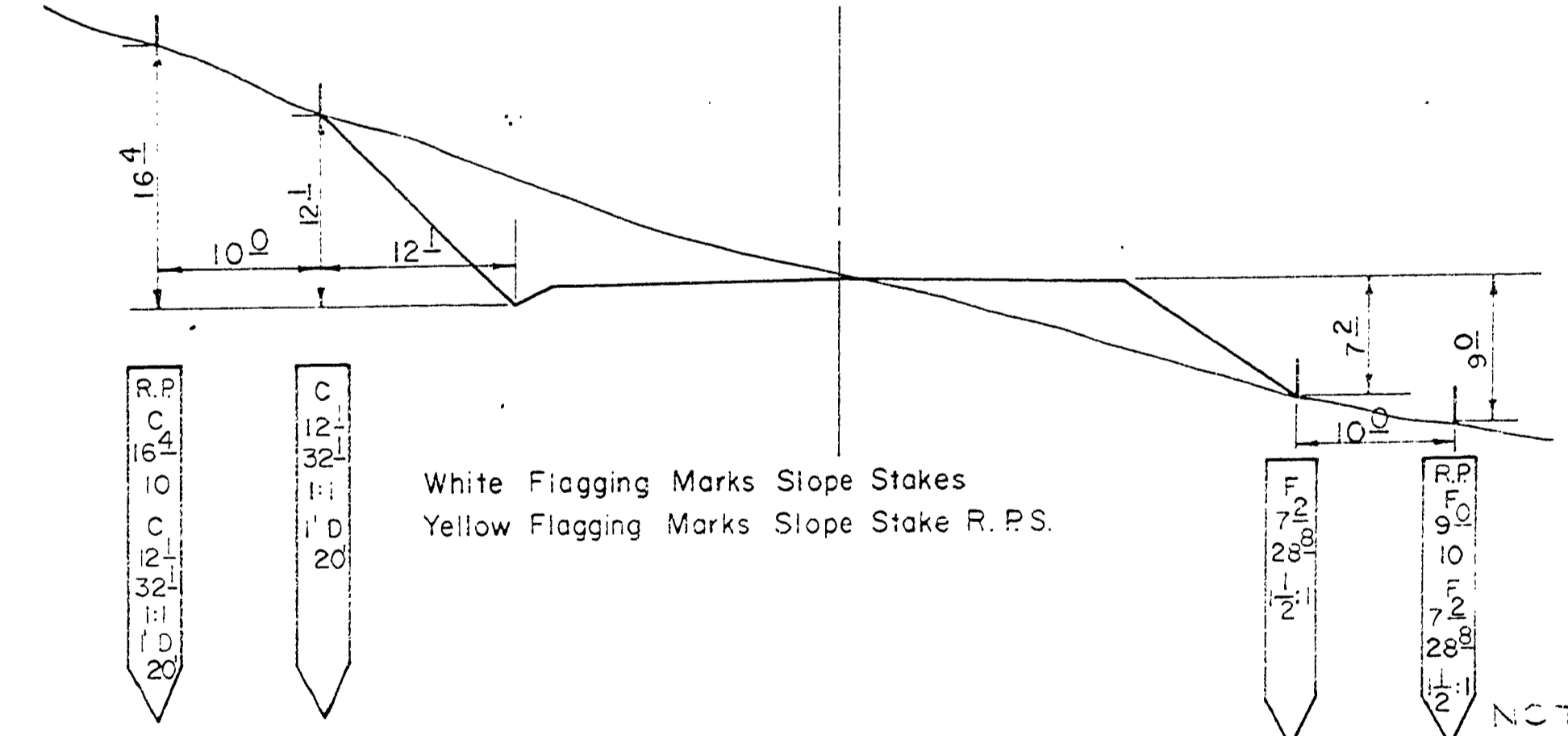
NOTE: All Posts to be of Cedar, Posts to be Set a Minimum of 24" Below the Surface of the Ground.

TYPICAL MAIL BOX STAND

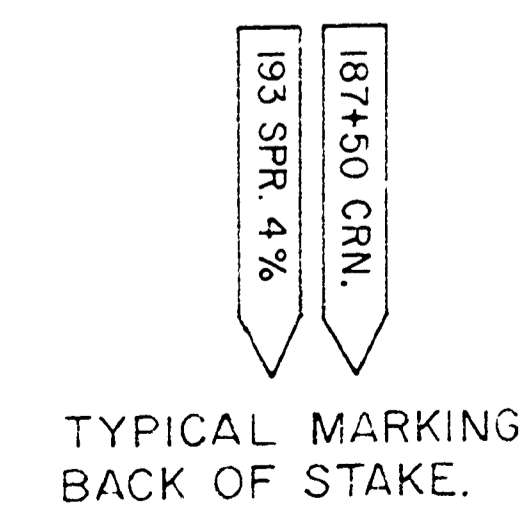


TYPICAL SECTION
TYPE 1 & 2 SURFACING WIDTHS
TYPE A & B SURFACING THICKNESS
TYPE P (P SIGNIFIES PAVING REQUIRED)

RURAL DRIVEWAY & ROAD APPROACH STANDARD



SLOPE STAKE EXAMPLE



AS CONSTRUCTED

JOB NAME	North Virginia Hwy
JOB NUMBER	PL#4
DATE	April 1970
Douglas County Road Dept.	
PIPE LIST, MAIL BOX STAND RURAL DRIVEWAY & SLOPE STAKE EX.	
Date: May 1969 Std. Dwng. 1	

0000MAIL

PL #4