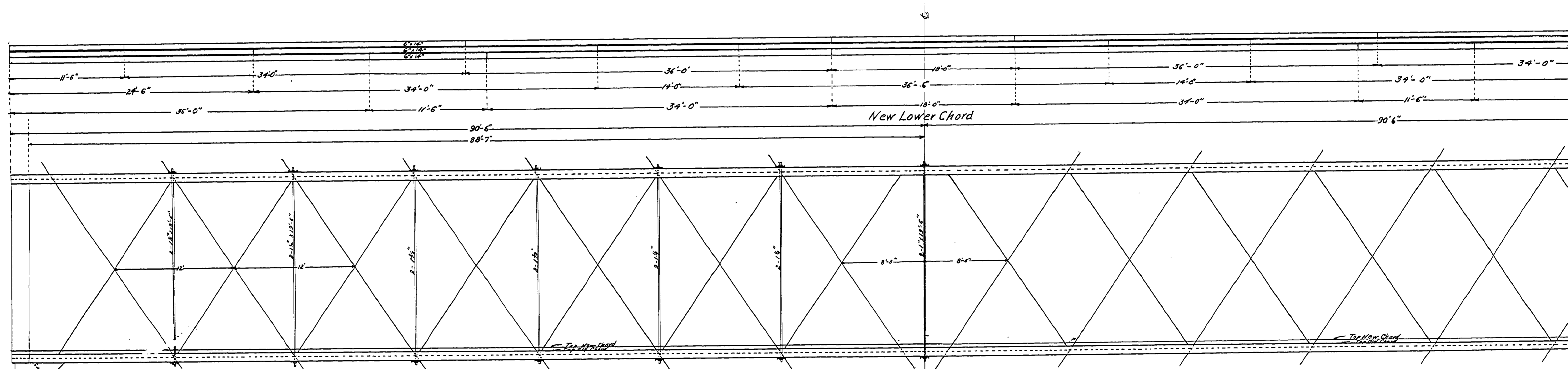
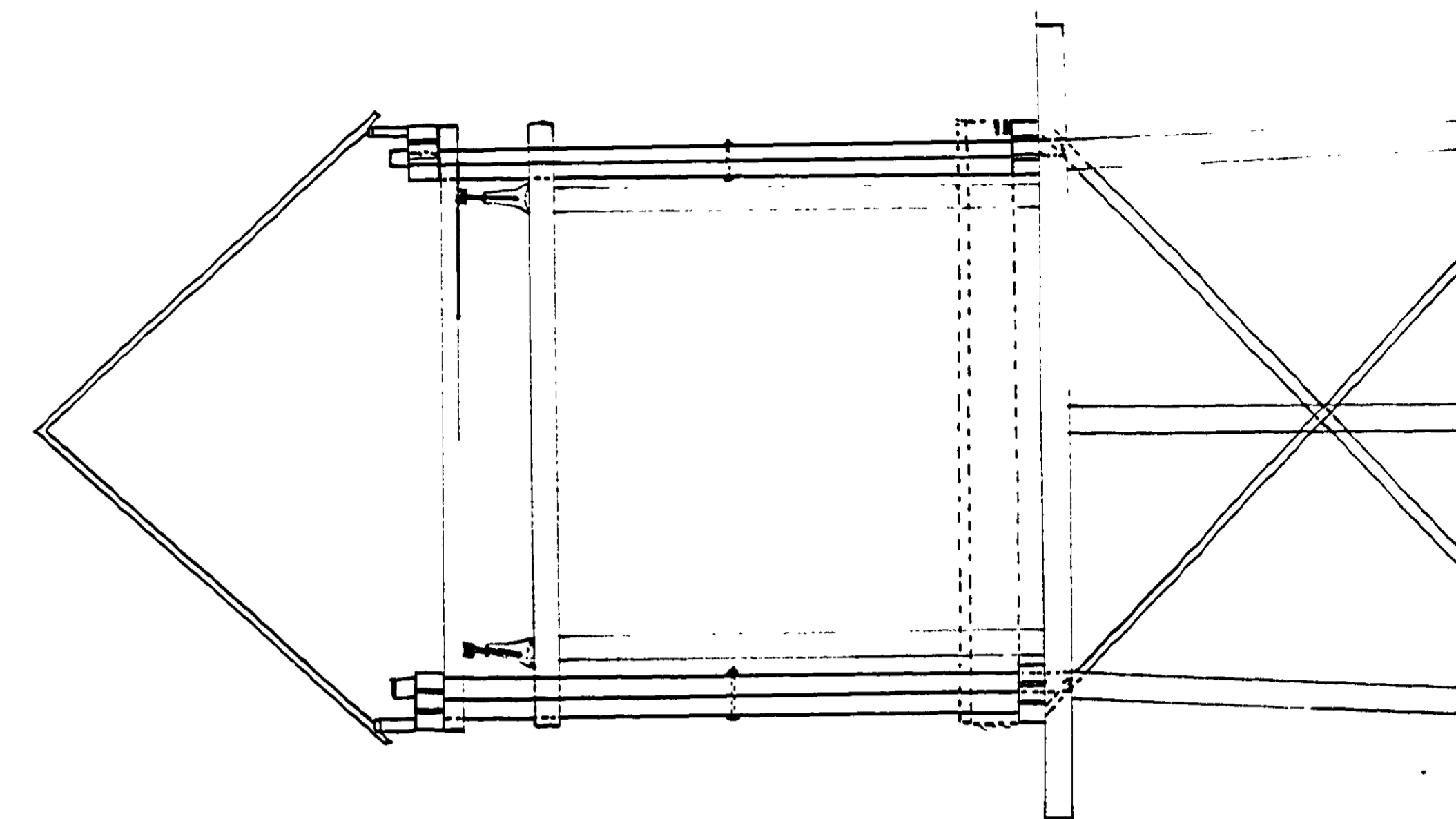
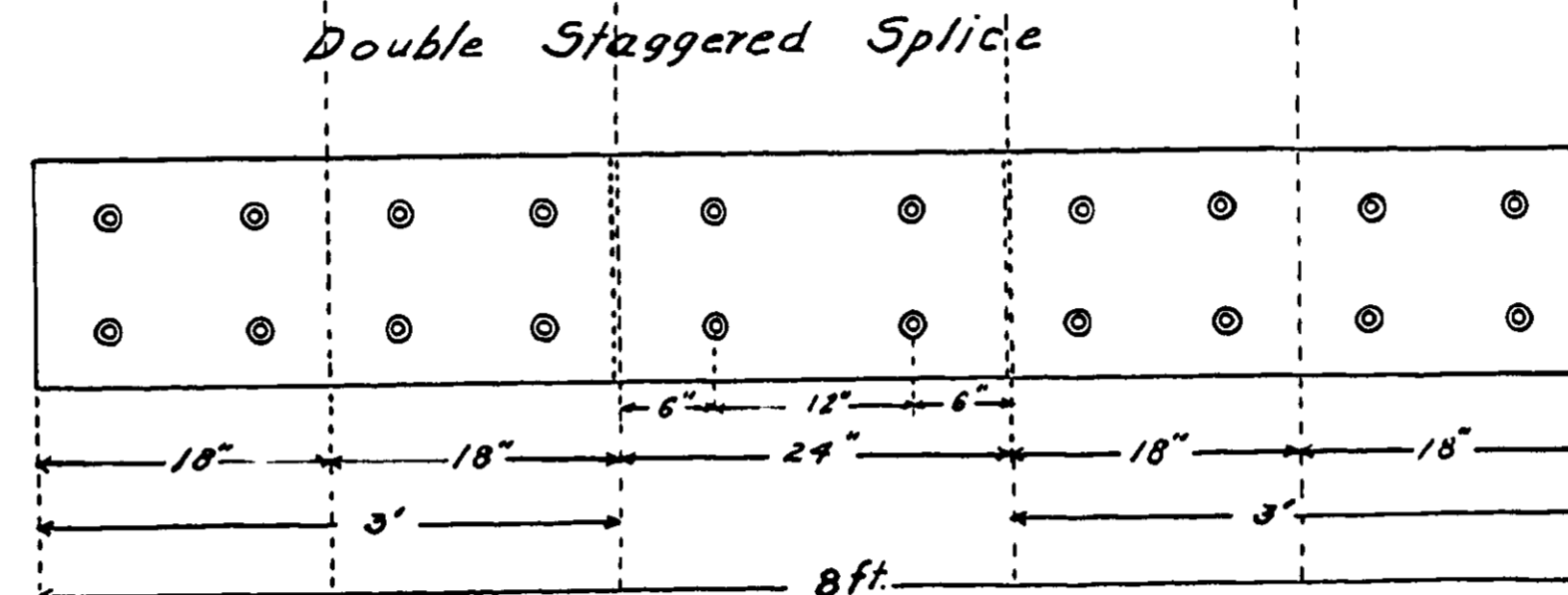
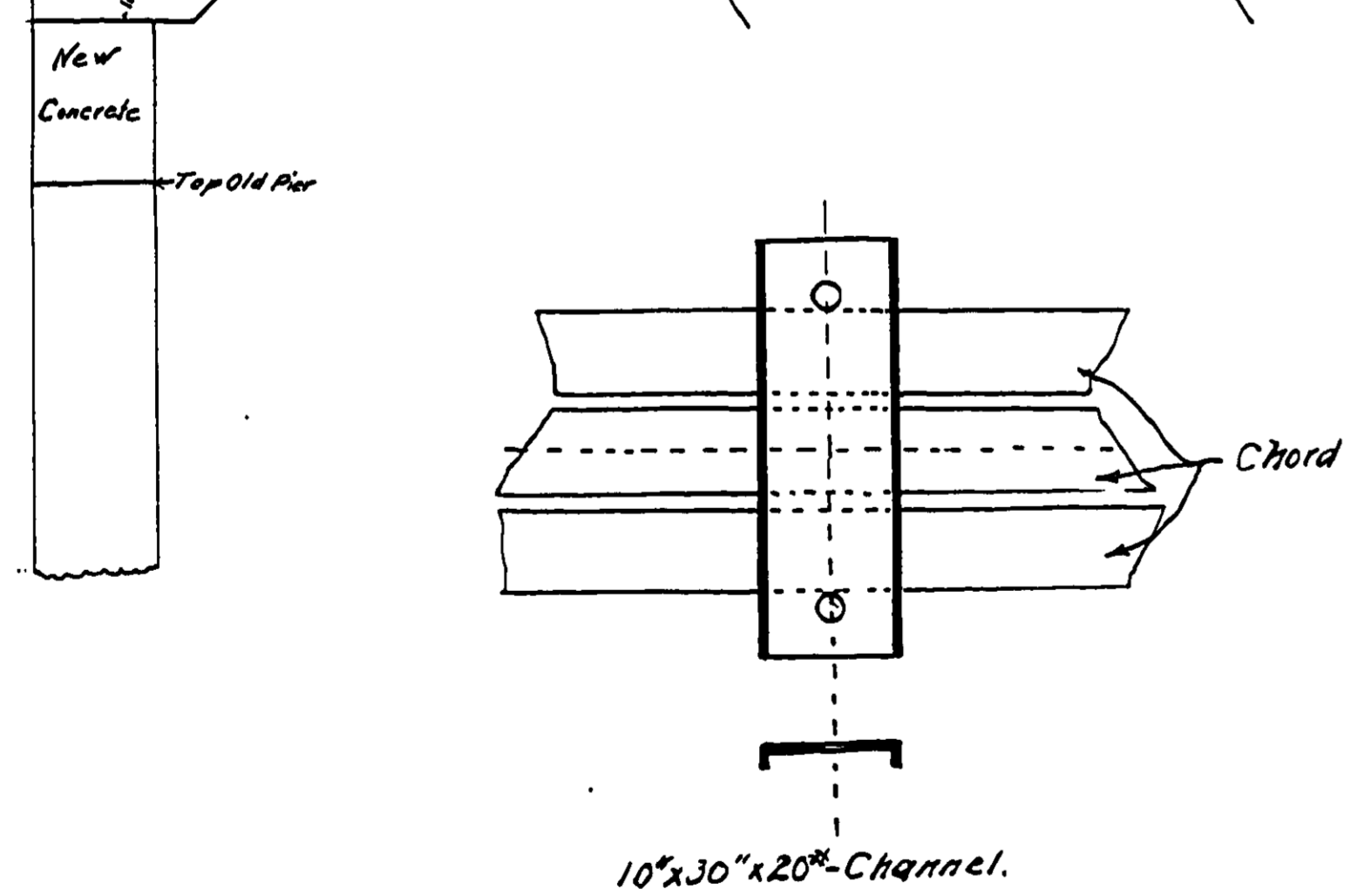


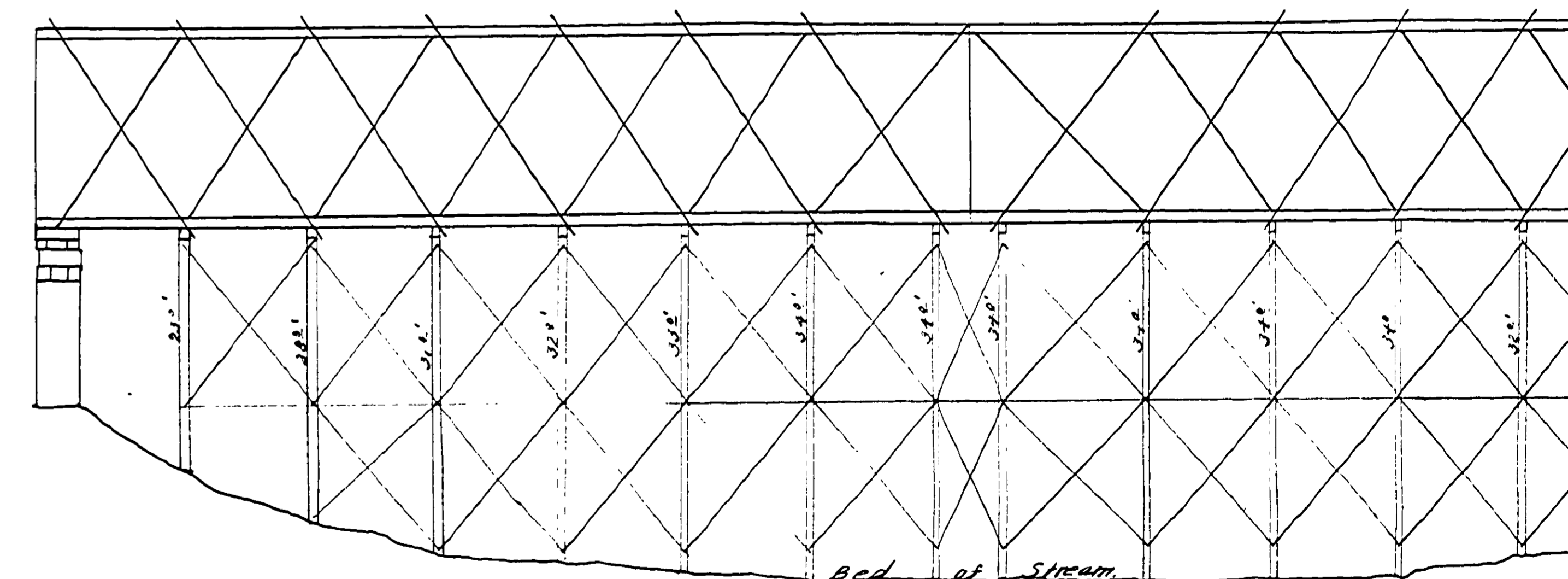
Single Middle Splice  
 Note - Single Outside Splice Same As Either Half Of Double Splice with a 1"x14"x6" Packing Board  
 Scale 1"=1'



Side Elevation  
 Scale 1/4"=1ft.



ELK CREEK BRIDGE.  
 AT  
 TILLER ORE.



Side Elevation of Fabric Work in Red Lins.  
 Scale 1"=10'

30 X

