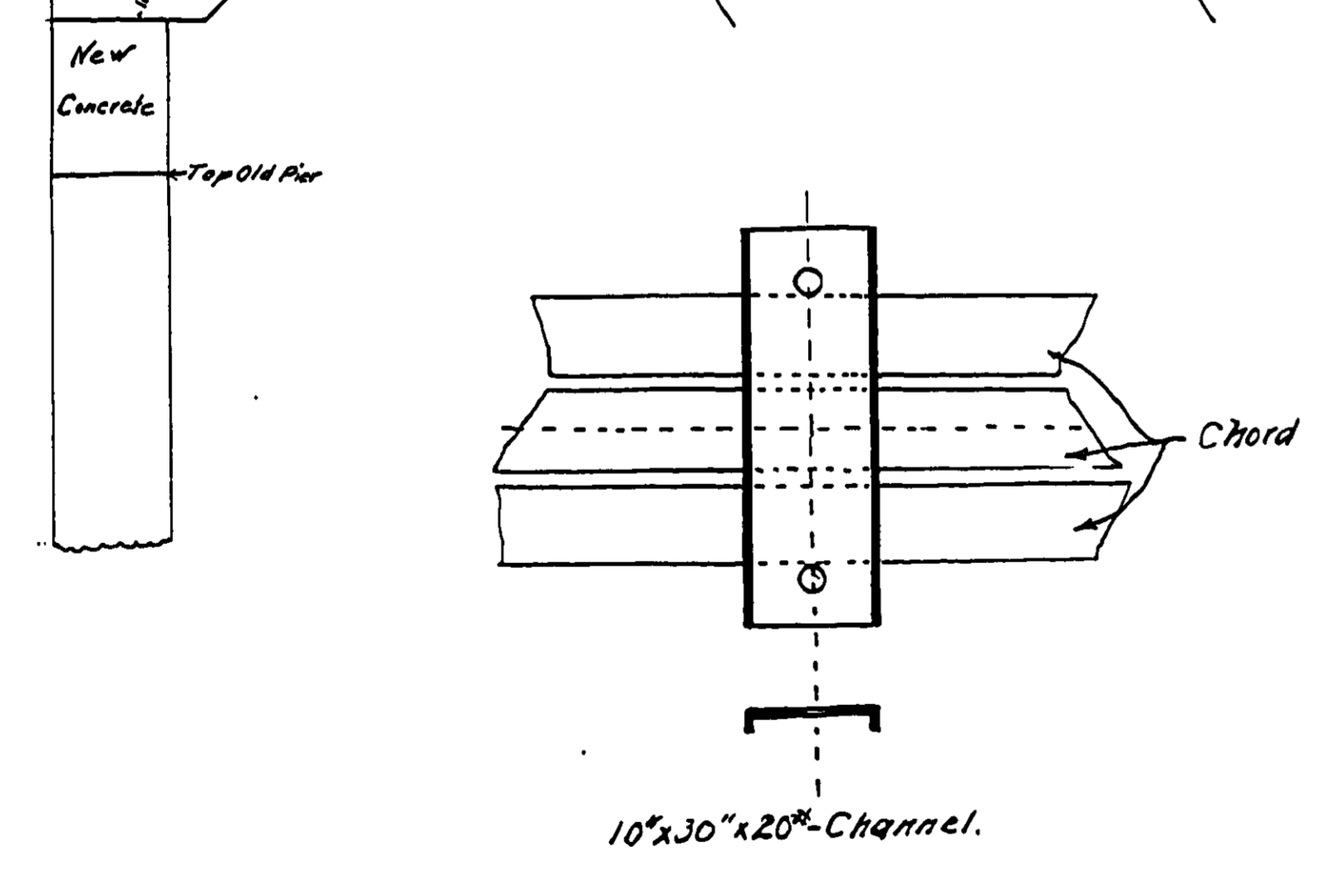
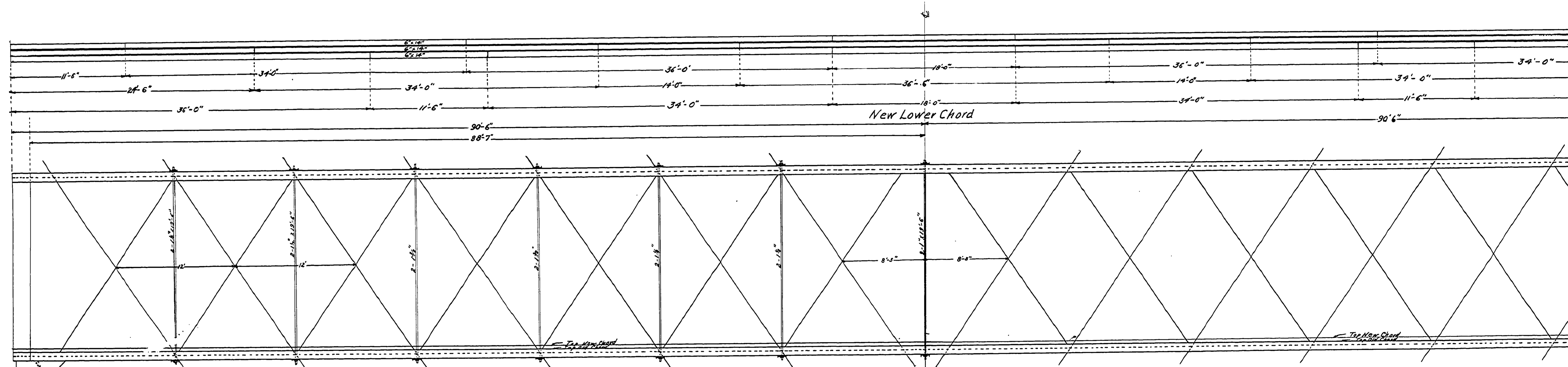
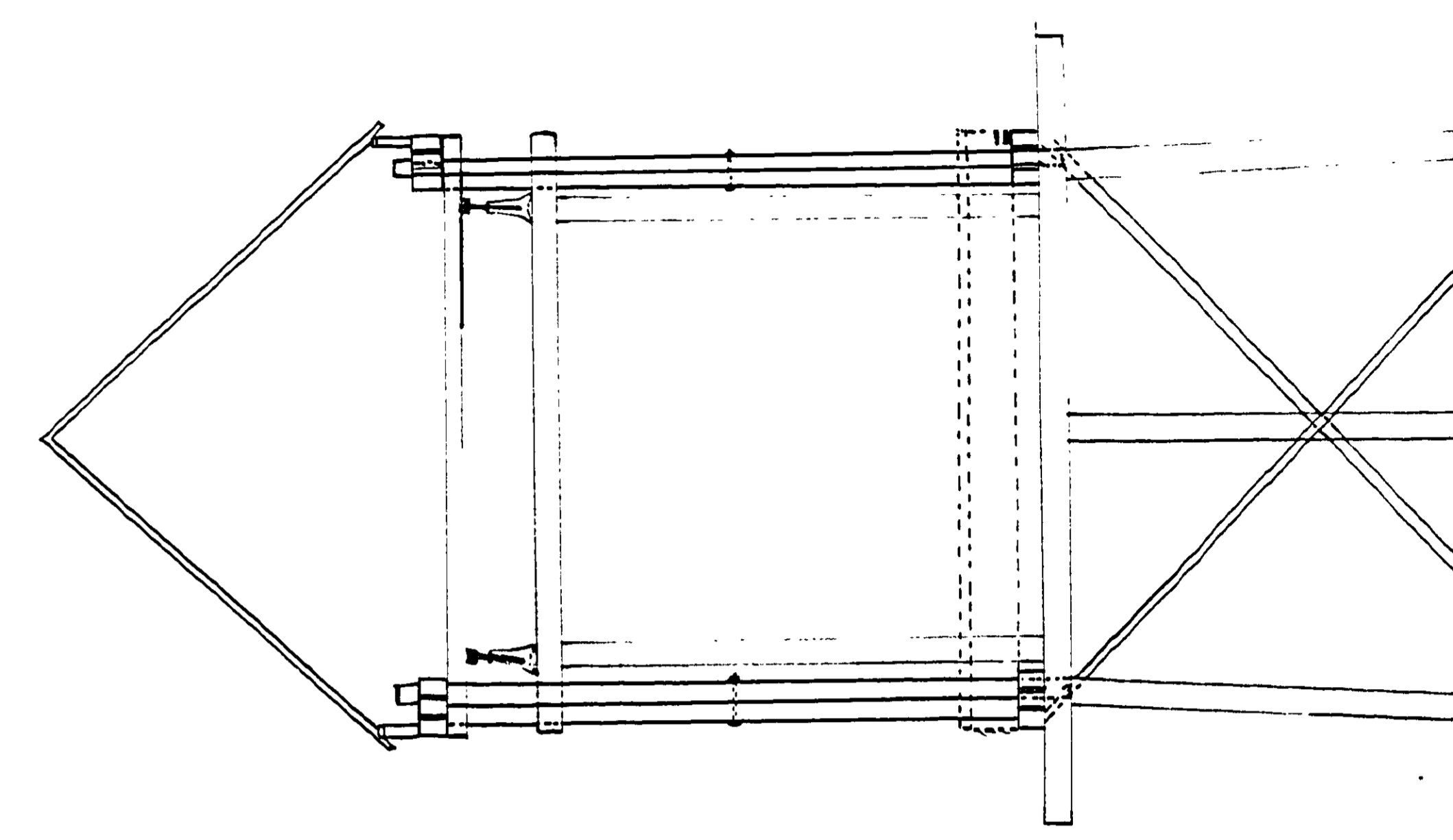
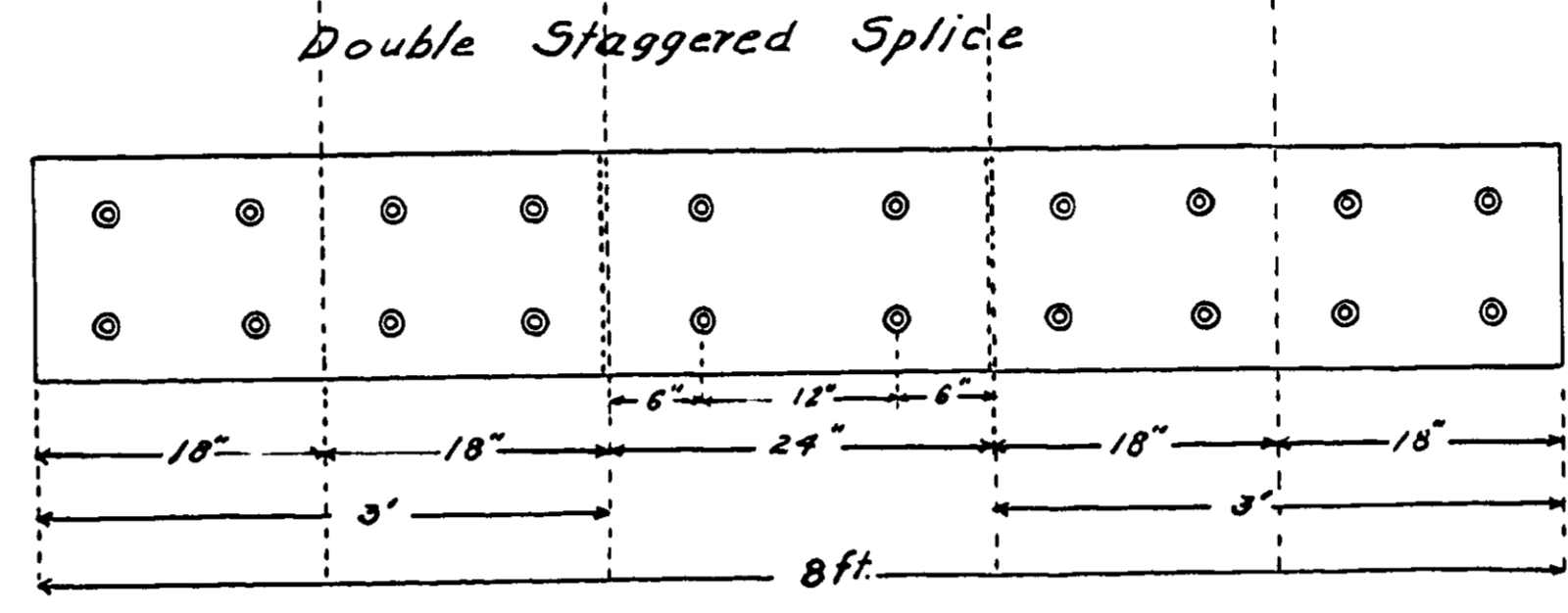


Single Middle Splice  
 Note - Single Outside Splice Same As Either Half Of Double Splice with a 1" x 1 1/2" x 6' Packing Board  
 Scale 1" = 1'



**ELK CREEK BRIDGE.  
 AT  
 TILLER ORE.**

30 X

