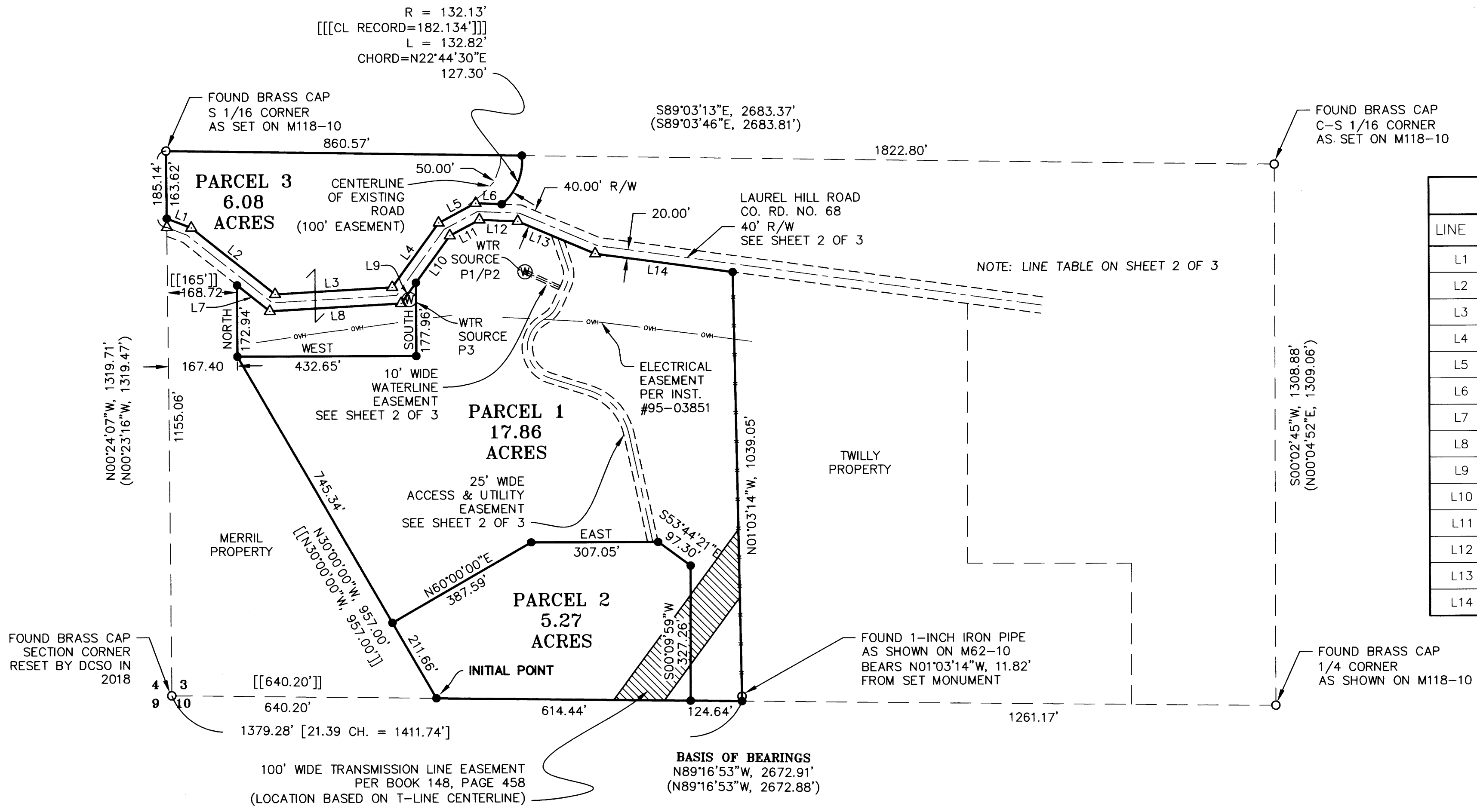


LAND PARTITION FOR LIBERTALIA, LLC LOCATED IN THE SW 1/4 OF SEC. 3 TOWNSHIP 22S., RANGE 05W., W.M. DOUGLAS COUNTY, OREGON

Douglas County Official Records
Daniel J. Loomis, County Clerk 2019-016387
NO FEE
00498356201900163870030032
PLAT-PAR Cnt=1 Stn=33 HAJOHNST
10/16/2019 10:49:08 AM
This is a no fee document

2019-0029 A



LINE TABLE		
LINE #	DIRECTION	LENGTH
L1	S68°46'35"E	63.58'
L2	S51°24'35"E	258.81'
L3	N86°46'25"E	283.85'
L4	N35°54'25"E	192.12'
L5	N62°00'25"E	101.27'
L6	S87°34'35"E	63.08'
L7	S51°24'35"E	100.82'
L8	N86°46'25"E	318.15'
L9	N35°54'25"E	61.73'
L10	N35°54'25"E	140.14'
L11	N62°00'25"E	81.13'
L12	S87°34'35"E	92.35'
L13	S67°06'35"E	202.83'
L14	S82°08'35"E	335.96'

LEGEND

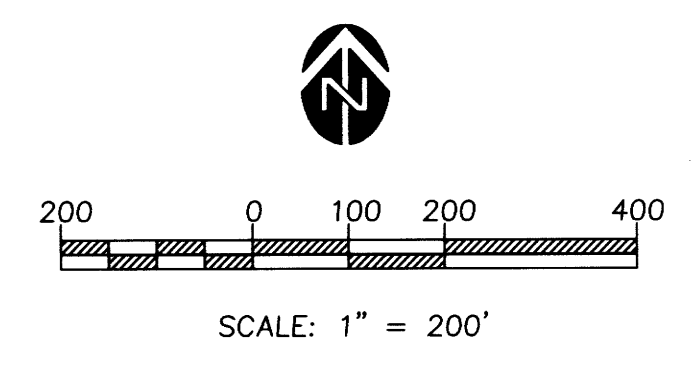
- FOUND MONUMENT AS SHOWN
- SET 5/8" X 30" REBAR WITH RED PLASTIC CAP MARKED "GEOMAX INC."
- △ CALCULATED POINT. NO MONUMENT FD OR SET

SURVEY REFERENCES

() - SURVEY MAP M118-10, SURVEY RECORDS OF DOUGLAS COUNTY, OREGON

DEED/EASEMENT REFERENCES

- [] - DEED INSTRUMENT #89-03803 (TWILLY) RECORDS OF DOUGLAS COUNTY, OREGON
- [[]] - DEED INSTRUMENT 2018-003699 (LIBERTALIA) RECORDS OF DOUGLAS COUNTY, OREGON
- [[[]]] - ACCESS ROAD EASEMENT 65-12984 RECORDS OF DOUGLAS COUNTY, OREGON



REGISTERED
PROFESSIONAL
LAND SURVEYOR
Michael P. Schulze
OREGON
NOVEMBER 30, 2007
MICHAEL P. SCHULZE
71827
EXP. DATE: 6-30-20

SHEET 1 OF 3

Geomax INC.
ENGINEERING, LAND SURVEYING, BUILDING DESIGN
806 N. NINTH STREET COTTAGE GROVE, OREGON 97424
TELEPHONE- (541) 942-0126 FAX- (541) 942-7935

JOB NO.: S102	DRAWN: MPS	CHECKED: MPS
DATE: 3/14/19	REV.	

S102_plat.dwg

2019-0029 A