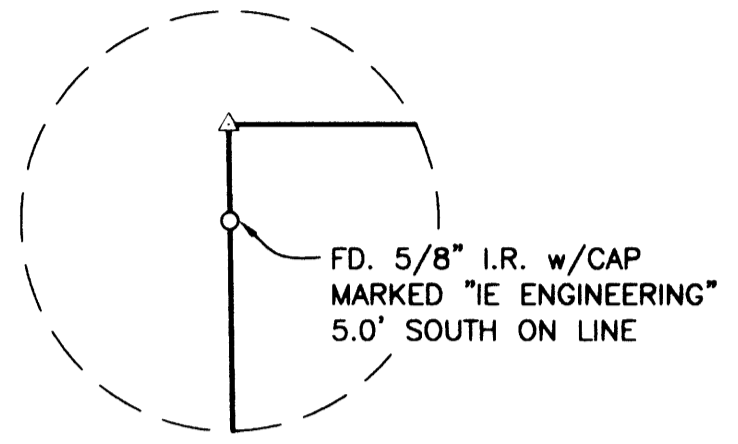
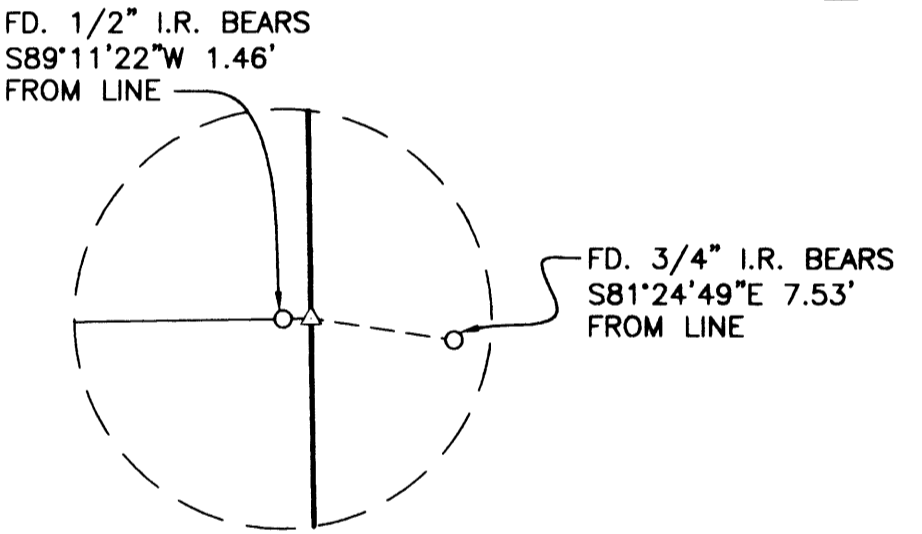


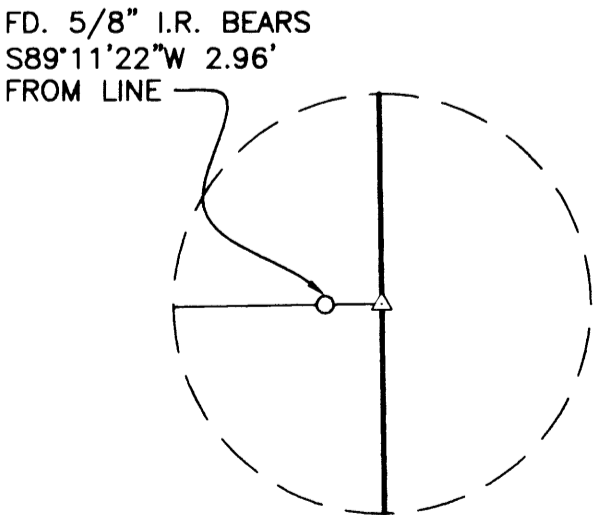
DOUGLAS COUNTY OFFICIAL RECORDS
 BARBARA E. NIELSEN, COUNTY CLERK
 2011-005738
 NO FEE
 04/04/2011 09:07:14 AM
 PLAT-PAR Cnt=1 Stn=1 receiptcounter
 This is a no fee document



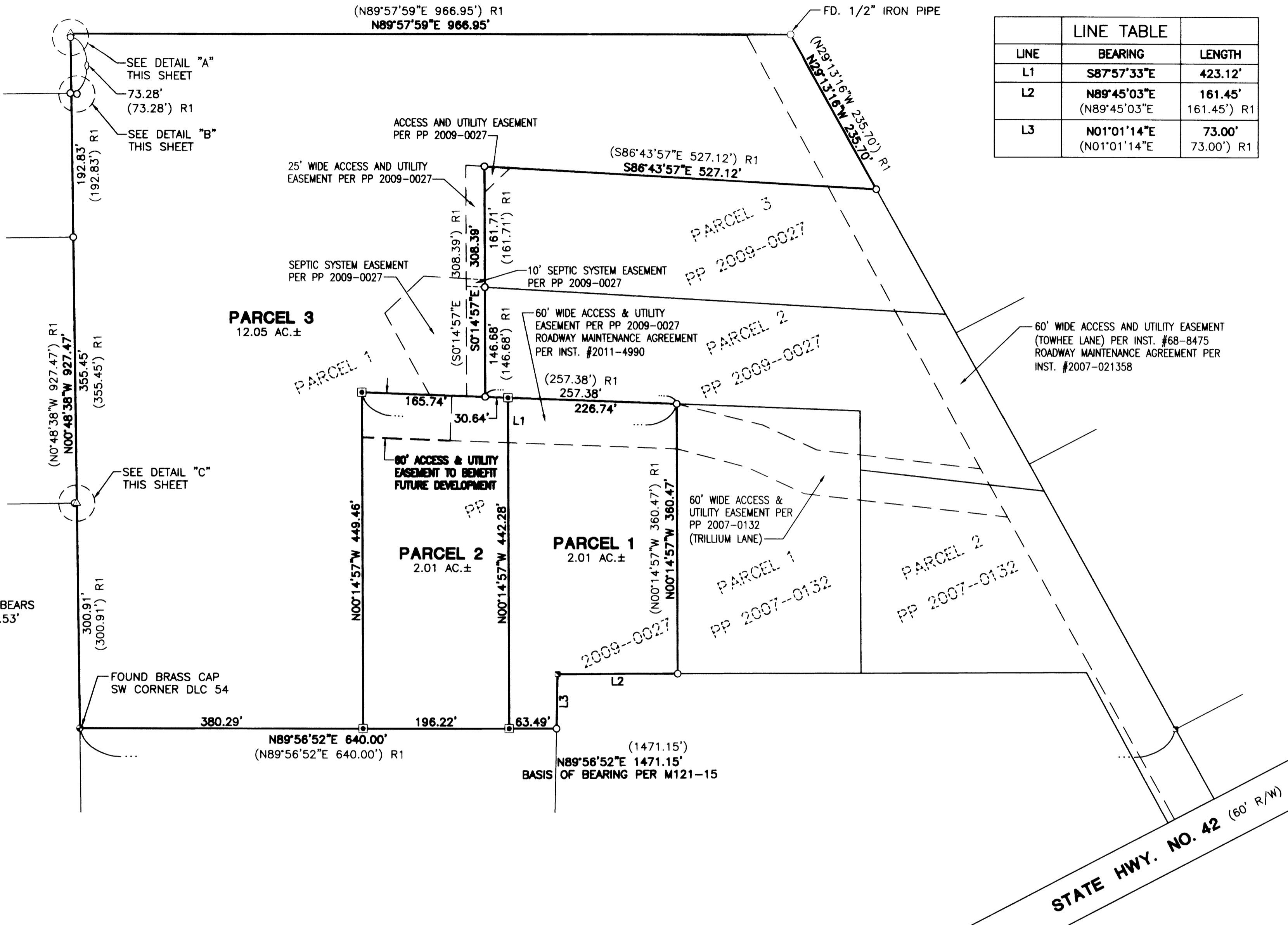
DETAIL "A"
 SCALE: 1" = 10'



DETAIL "B"
 SCALE: 1" = 10'



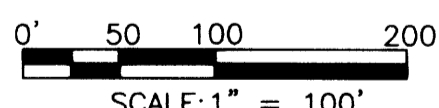
DETAIL "C"
 SCALE: 1" = 10'



LINE TABLE		
LINE	BEARING	LENGTH
L1	S87°57'33"E	423.12'
L2	N89°45'03"E (N89°45'03"E)	161.45' 161.45') R1
L3	N01°01'14"E (N01°01'14"E)	73.00' 73.00') R1

LEGEND:

- ◻ SET 5/8" x 30" IRON ROD w/CAP MARKED "I.E. ENGINEERING"
- FOUND 5/8" IRON ROD UNLESS OTHERWISE NOTED
- ◻ FOUND AXLE
- FOUND IRON PIPE AS NOTED
- ⊙ FOUND BRASS CAP AS NOTED
- △ CALCULATED POSITION
- () R1 RECORD AS PER PP 2009-0027



2011-0011 A

2011-0011 A

<p>REGISTERED PROFESSIONAL LAND SURVEYOR</p> <p><i>Ronald A. Gumbly</i></p> <p>OREGON JULY 14, 1978 RONALD A. GUMBLY 1954</p> <p>EXPIRES: 12/31/2012</p>	<p>LAND PARTITION</p> <p>LYING IN THE SW 1/4 OF SEC. 29 & THE NW 1/4 OF SEC. 32, TOWNSHIP 28 SOUTH, RANGE 7 WEST, W.M., DOUGLAS COUNTY, OR.</p>	
	<p>SURVEYED FOR:</p> <p>KEN DEBELL P.O. BOX 2207 ROSEBURG, OR. 97470</p>	<p>SURVEYED BY:</p> <p>i.e. ENGINEERING</p> <p>809 SE Pine Street Roseburg, Oregon 97470 PHONE (541) 673-0166 FAX (541) 440-9392 iemail@ieengineering.com</p>
<p>JOB NO: 990-12</p> <p>DATE: JUNE, 2010</p>	<p>DWG. BY: DAF</p> <p>PM: SNL</p>	<p>SCALE: AS SHOWN</p> <p>PAGE: 1 OF 2</p>