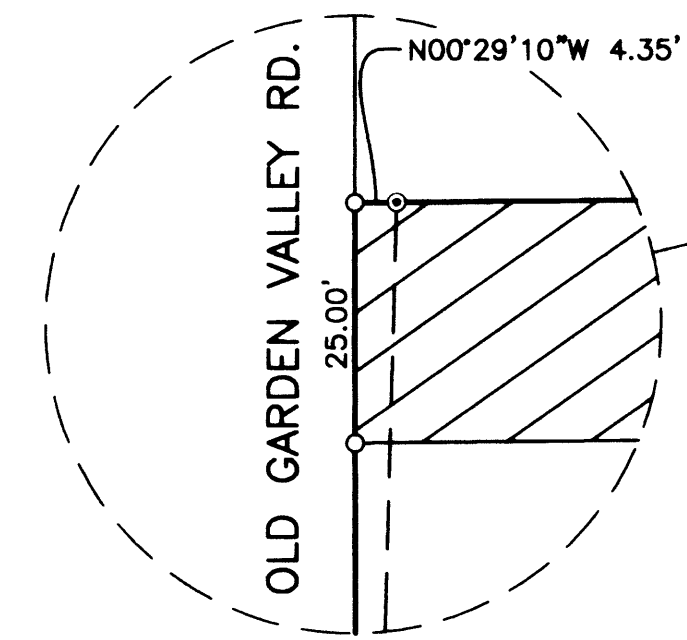
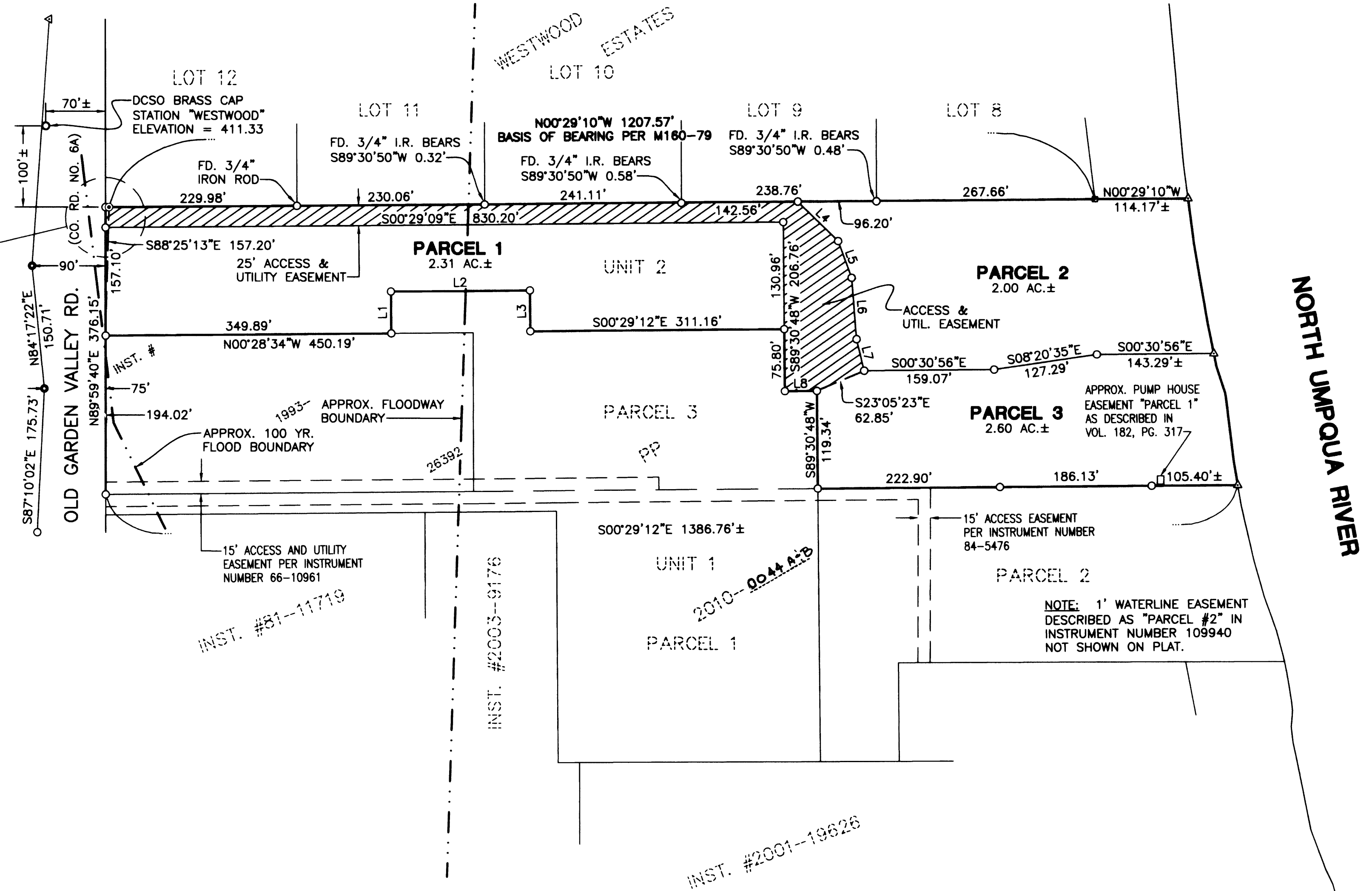


DOUGLAS COUNTY OFFICIAL RECORDS
 BARBARA E. NIELSEN, COUNTY CLERK 2010-020450
 NO FEE
 12/27/2010 09:20:04 AM
 PLAT-PAR Cnt=1 Stn=1 RECEIPTCOUNTER
 This is a no fee document



DETAIL
 SCALE: 1" = 20'



LEGEND:

- FOUND 5/8" IRON ROD UNLESS OTHERWISE NOTED
- ▲ CALCULATED POSITION
- FOUND AXLE
- ⊙ FOUND 2" IRON PIPE
- FOUND ALUMINUM CAP

NOTE: ALL BEARINGS AND DISTANCES ARE RECORD PER M160-79

LINE TABLE		
LINE	BEARING	LENGTH
1	S89°30'48"W	51.20'
2	S00°29'12"E	170.27'
3	S89°30'48"W	50.00'
4	N44°23'04"E	69.20'
5	N69°46'31"E	47.80'
6	N85°32'49"E	75.42'
7	N76°24'48"E	39.57'
8	S00°29'12"E	39.41'

REGISTERED
 PROFESSIONAL
 LAND SURVEYOR

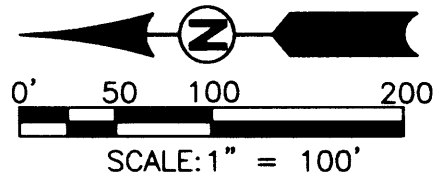
Ronald A. Gummy
 OREGON
 JULY 14, 1978
 RONALD A. GUMMY
 1654

EXPIRES: 12/31/2012

SURVEYED BY:
i.e.
 ENGINEERING
 809 SE Pine Street
 Roseburg, Oregon 97470
 PHONE (541) 673-0166
 FAX (541) 440-9392
 email@ieengineering.com

SURVEYED FOR:
 KEN DEBELL
 P.O. BOX 2207
 ROSEBURG, OR., 97470

DWG. BY: DAF
 PM: SNL
 SCALE: AS NOTED
 PAGE: 1 OF 2
 JOB NO: 990-10
 DATE: DEC., 2010



LAND PARTITION
 LYING IN THE S.W. 1/4 OF SECTION 28 & THE N.W. 1/4 OF SECTION 33,
 TOWNSHIP 26 SOUTH, RANGE 6 WEST, WILLAMETTE MERIDIAN, DOUGLAS COUNTY, OREGON

2010-0045 A

2010-0045 A