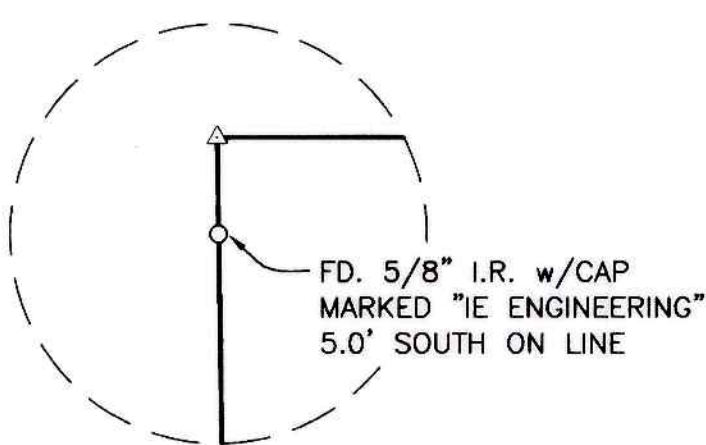


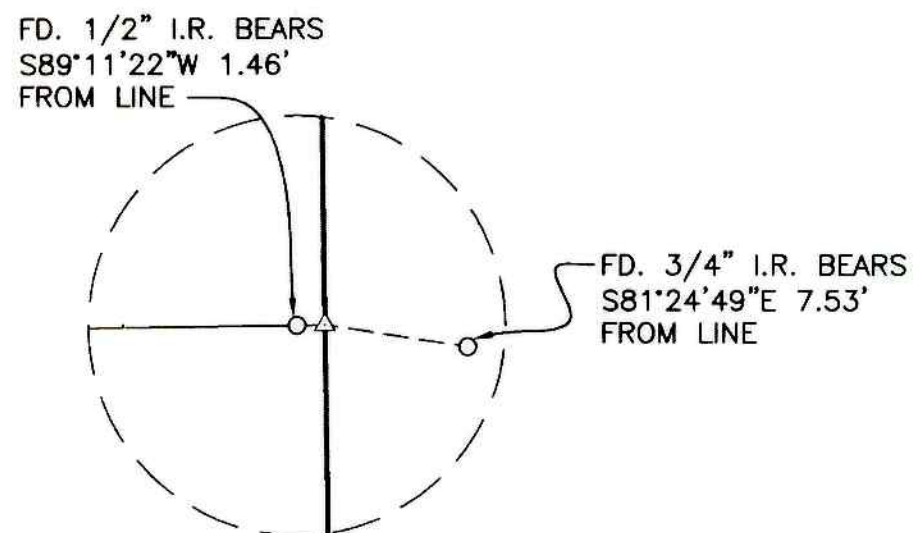
DOUGLAS COUNTY OFFICIAL RECORDS  
BARBARA E. NIELSEN, COUNTY CLERK  
2009-010343  
NO FEE  
06/04/2009 08:19:20 AM  
PLAT-PAR Cnt=1 Stn=1 RECEIPTCOUNTER  
This is a no fee document

**LEGEND:**

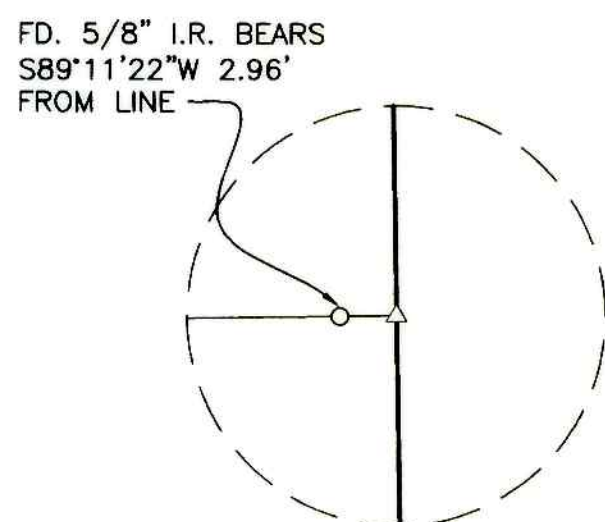
- SET 5/8" x 30" IRON ROD w/CAP MARKED "I.E. ENGINEERING" UNLESS OTHERWISE NOTED
- FOUND 5/8" IRON ROD UNLESS OTHERWISE NOTED
- FOUND AXLE
- FOUND IRON PIPE AS NOTED
- FOUND BRASS CAP AS NOTED
- △ CALCULATED POSITION
- ( ) R1 RECORD AS PER M145-29
- ( ) R2 RECORD AS PER PP 2006-0094
- ( ) R3 RECORD AS PER M29-44
- ( ) R4 RECORD AS PER VOL. 775, PG. 761
- ( ) R5 RECORD AS PER INST. #2006-11419
- ( ) R6 RECORD AS PER M62-28
- ( ) R7 RECORD AS PER INST. #1991-7589
- ( ) R8 RECORD AS PER PP 2007-0132



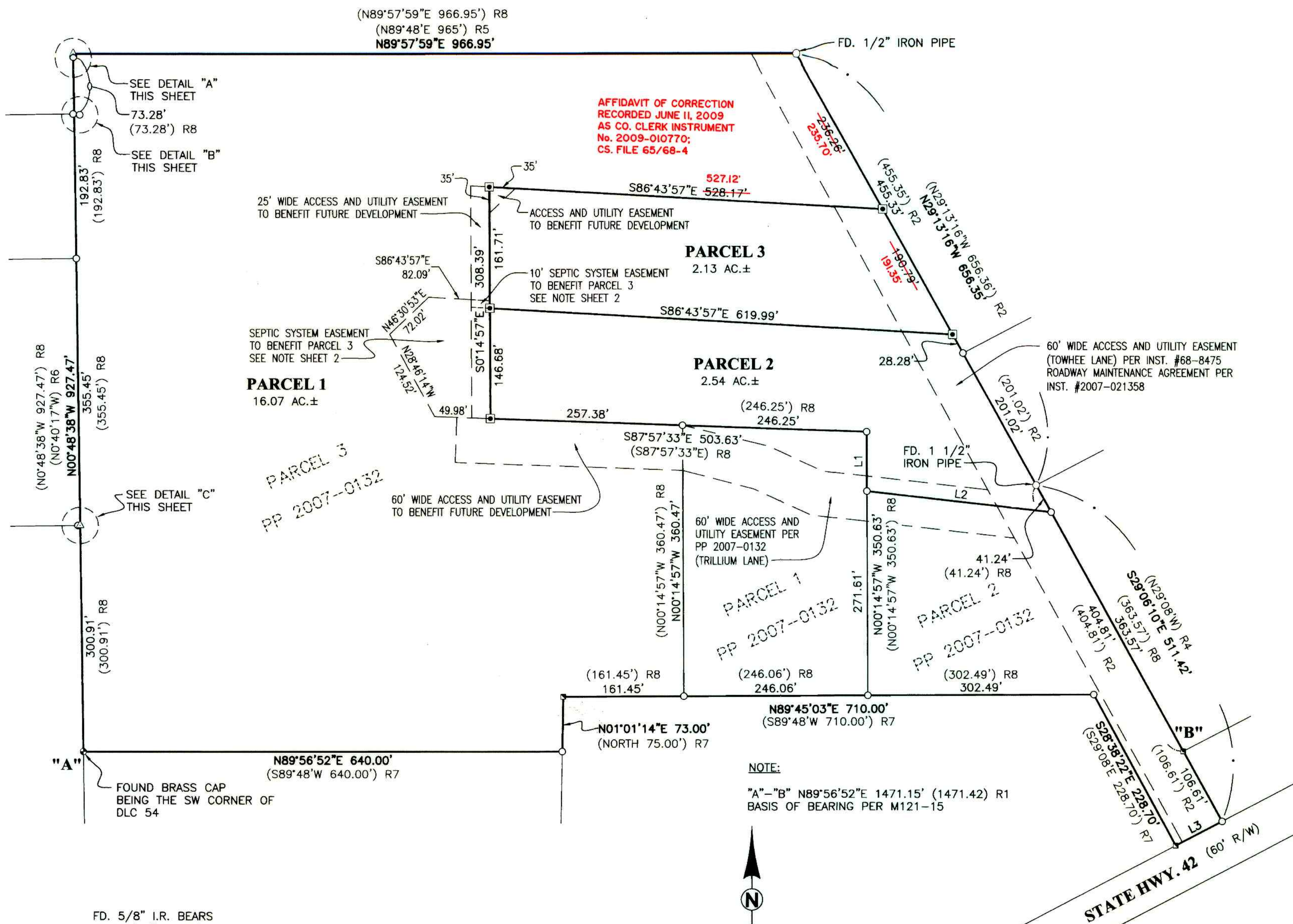
**DETAIL "A"**  
SCALE: 1" = 10'



**DETAIL "B"**  
SCALE: 1" = 10'



**DETAIL "C"**  
SCALE: 1" = 10'



LINE	BEARING	LENGTH
L1	N0°14'57"W (N0°14'57"W)	79.02' 79.02') R8
L2	S83°33'21"E (S83°33'21"E)	248.26' 248.26') R8
L3	S62°29'47"W (S62°33'W)	70.00' 70') R3

**REGISTERED PROFESSIONAL LAND SURVEYOR**  
*Ronald A. Gumbay*  
OREGON  
JULY 14, 1978  
RONALD A. GUMBAY  
1854  
EXPIRES: 12/31/2010

**LAND PARTITION**  
LYING IN THE SW 1/4 OF SEC. 29 & THE NW 1/4 OF SEC. 32,  
TOWNSHIP 28 SOUTH, RANGE 7 WEST, W.M., DOUGLAS COUNTY, OR.

**SURVEYED FOR:**  
KEN DEBELL  
P.O. BOX 2207  
ROSEBURG, OR. 97470

**SURVEYED BY:**  
**i.e. ENGINEERING**  
809 SE Pine Street  
Roseburg, Oregon 97470  
PHONE (541) 673-0166  
FAX (541) 440-9392  
iemail@ieengineering.com

JOB NO: 990-12  
DATE: OCT., 2008  
DWG. BY: DAF  
PM: SNL  
SCALE: AS SHOWN

PAGE: 1 OF 2

2009-0027 A