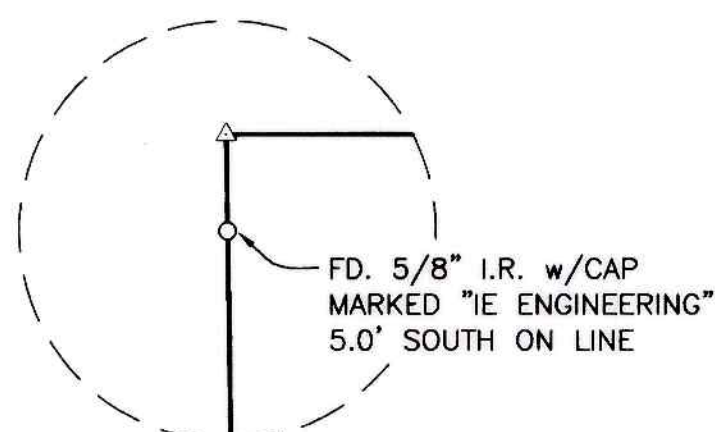


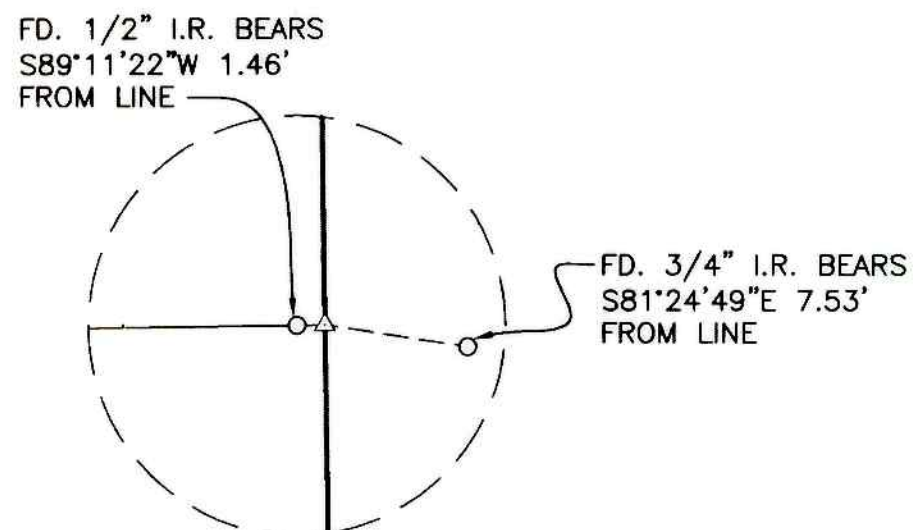
DOUGLAS COUNTY OFFICIAL RECORDS
BARBARA E. NIELSEN, COUNTY CLERK
2009-010343
NO FEE
06/04/2009 08:19:20 AM
PLAT-PAR Cnt=1 Stn=1 RECEIPTCOUNTER
This is a no fee document

LEGEND:

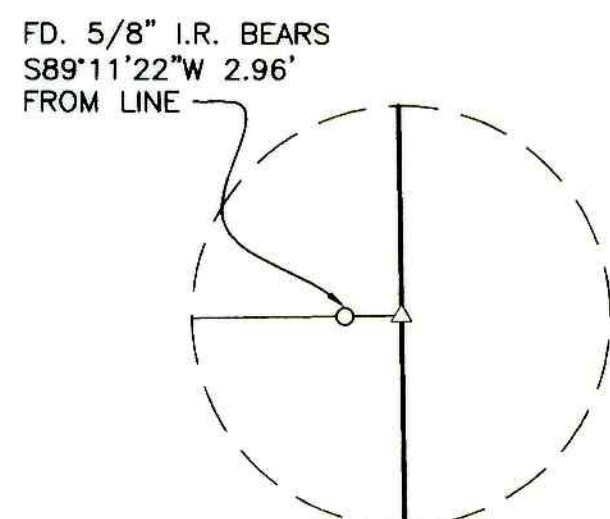
- SET 5/8" x 30" IRON ROD w/CAP MARKED "I.E. ENGINEERING" UNLESS OTHERWISE NOTED
- FOUND 5/8" IRON ROD UNLESS OTHERWISE NOTED
- FOUND AXLE
- FOUND IRON PIPE AS NOTED
- FOUND BRASS CAP AS NOTED
- △ CALCULATED POSITION
- () R1 RECORD AS PER M145-29
- () R2 RECORD AS PER PP 2006-0094
- () R3 RECORD AS PER M29-44
- () R4 RECORD AS PER VOL. 775, PG. 761
- () R5 RECORD AS PER INST. #2006-11419
- () R6 RECORD AS PER M62-28
- () R7 RECORD AS PER INST. #1991-7589
- () R8 RECORD AS PER PP 2007-0132



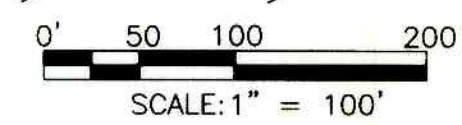
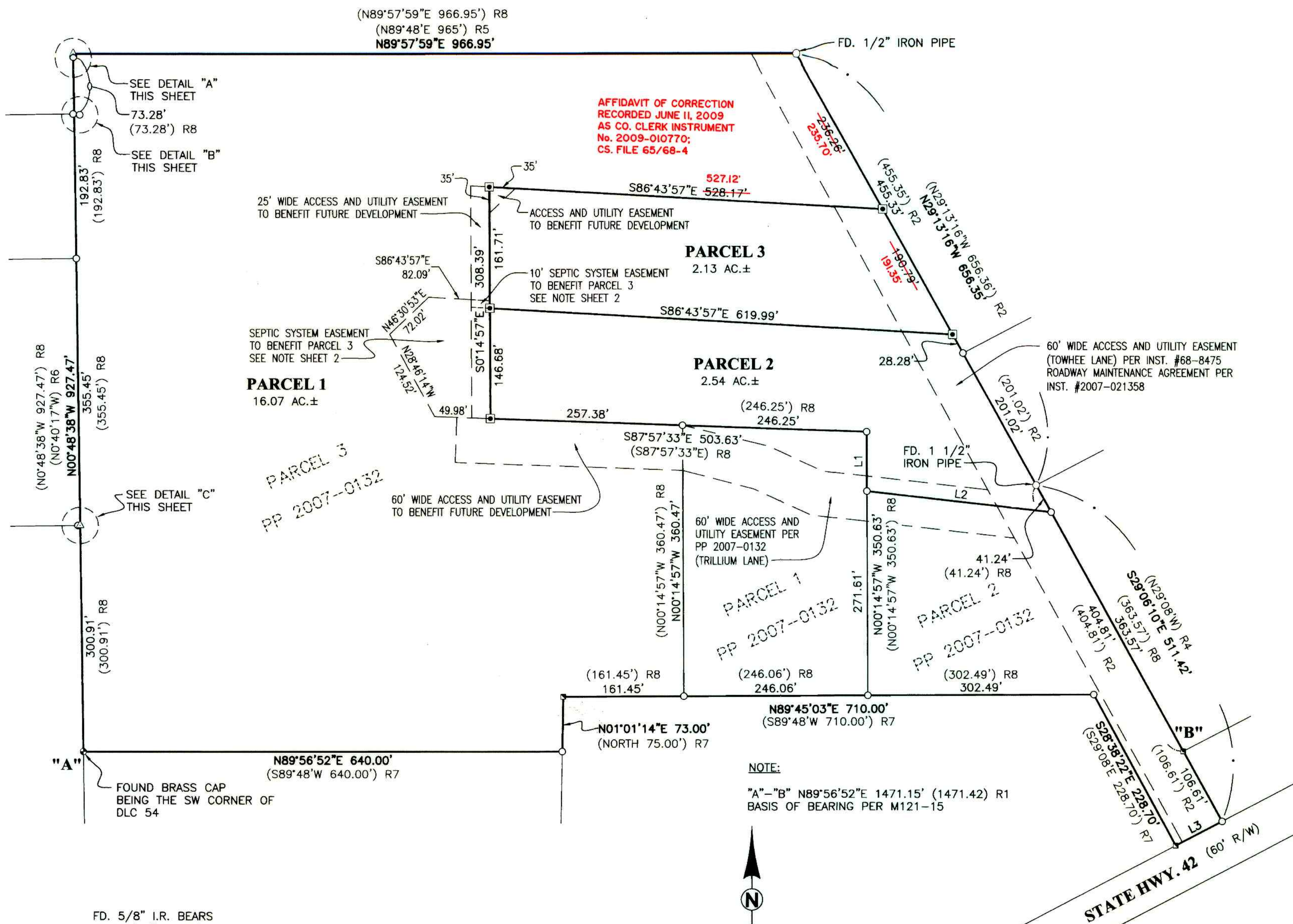
DETAIL "A"
SCALE: 1" = 10'



DETAIL "B"
SCALE: 1" = 10'



DETAIL "C"
SCALE: 1" = 10'



LINE	BEARING	LENGTH
L1	N0°14'57"W (N0°14'57"W)	79.02' 79.02') R8
L2	S83°33'21"E (S83°33'21"E)	248.26' 248.26') R8
L3	S62°29'47"W (S62°33'W)	70.00' 70') R3

REGISTERED PROFESSIONAL LAND SURVEYOR

Ronald A. Gumbay

OREGON
JULY 14, 1978
RONALD A. GUMBAY
1854

EXPIRES: 12/31/2010

LAND PARTITION

LYING IN THE SW 1/4 OF SEC. 29 & THE NW 1/4 OF SEC. 32,
TOWNSHIP 28 SOUTH, RANGE 7 WEST, W.M., DOUGLAS COUNTY, OR.

SURVEYED FOR:
KEN DEBELL
P.O. BOX 2207
ROSEBURG, OR. 97470

SURVEYED BY:
i.e.
ENGINEERING
809 SE Pine Street
Roseburg, Oregon 97470
PHONE (541) 673-0166
FAX (541) 440-9392
iemail@ieengineering.com

JOB NO: 990-12
DATE: OCT., 2008
DWG. BY: DAF
PM: SNL

SCALE: AS SHOWN
PAGE: 1 OF 2

DECLARATION:

KNOW ALL PEOPLE BY THESE PRESENTS THAT KENNETH E. AND JOANNE DEBELL ARE THE OWNERS OF THE LAND REPRESENTED HEREON AND MORE PARTICULARLY DESCRIBED HEREIN AND HAS CAUSED THE SAME TO BE PLATTED INTO PARCELS TOGETHER WITH EASEMENTS AS SHOWN.

Kenneth E. DeBell 4/13/09
KENNETH E. DEBELL DATE

Joanne DeBell 4-13-09
JOANNE DEBELL DATE

APPROVALS:

Keith L. Cubie JUNE 2, 2009
DOUGLAS COUNTY PLANNING DIRECTOR DATE

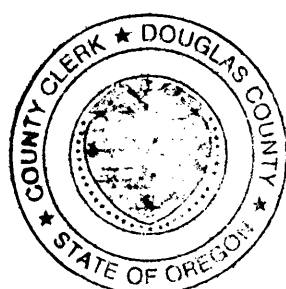
Randy W. 6/3/09
DOUGLAS COUNTY SURVEYOR DATE

I HEREBY CERTIFY THAT ALL TAXES AND SPECIAL ASSESSMENTS OR OTHER CHARGES REQUIRED BY LAW HAVE BEEN PAID.

Sandra K. Conree 6/3/09
DOUGLAS COUNTY TAX COLLECTOR DATE

FILED THIS 4th DAY OF JUNE, 2009, 8:19 O'CLOCK (AM/PM)

BARBARA E. NIELSEN, by Sharon Gage, Deputy 6/4/09
DOUGLAS COUNTY CLERK DATE



ACKNOWLEDGMENT:

STATE OF OREGON }
COUNTY OF DOUGLAS } ss.

KNOW ALL PEOPLE BY THESE PRESENTS, ON THIS 13th DAY OF April, 2009, BEFORE ME A NOTARY PUBLIC IN AND FOR SAID STATE AND COUNTY, PERSONALLY APPEARED KENNETH E. AND JOANNE DEBELL, WHO DID SAY THAT THEY ARE THE IDENTICAL PERSONS NAMED IN THE FOREGOING INSTRUMENT AND THAT THEY EXECUTED SAID INSTRUMENT FREELY AND VOLUNTARILY.

Elaine Berg
NOTARY: ELAINE BERG
NOTARY PUBLIC - OREGON
COMMISSION NO.: 405611
MY COMMISSION EXPIRES: JUNE 23, 2010

SURVEYOR'S CERTIFICATE:

I, RONALD A. QIMBY, OREGON PROFESSIONAL LAND SURVEYOR NO. 1654, HEREBY CERTIFY THAT I HAVE CORRECTLY SURVEYED AND MARKED WITH PROPER MONUMENTS THE LAND SHOWN ON THE ANNEXED PLAT OF WHICH THE FOLLOWING IS A TRUE AND CORRECT DESCRIPTION.

PARCEL 3 OF THAT LAND DESCRIBED IN INSTRUMENT NUMBER 2007-022323 AS RECORDED IN DOUGLAS COUNTY DEED RECORDS, LOCATED IN THE SOUTHWEST QUARTER OF SECTION 29, TOWNSHIP 28 SOUTH, RANGE 7 WEST, WILLAMETTE MERIDIAN, DOUGLAS COUNTY, OREGON.

NARRATIVE:

THE PURPOSE OF THIS MAP IS TO PARTITION PARCEL 3 OF THAT LAND DESCRIBED IN INSTRUMENT NUMBER 2007-022323 INTO 3 PARCELS. PROCEDURE WAS AS FOLLOWS:

MONUMENTS OF RECORD WERE TIED AND HELD AS SHOWN. THE SOUTH BOUNDARY WAS ESTABLISHED USING RECORD DISTANCE FROM FOUND MONUMENTS AS SHOWN. MONUMENTS WERE SET TO DELINEATE NEW LINES AS SHOWN.

FIELD CREW: JEREMY LEONARD AND JOSH MAXWELL

EQUIPMENT: TOPCON TOTAL STATION AND TDS RANGER DATA COLLECTOR

OFFICE: DEREK FEIGEL

DRAFTING: DEREK FEIGEL

ZONE: RR
COMP. PLAN: RC2
WATER: WELL
SEWER: SEPTIC

SEPTIC SYSTEM EASEMENT NOTE:

FOR THE CONSTRUCTION, MAINTENANCE, USE AND REPAIR OF AN INDIVIDUAL ONSITE WASTEWATER TREATMENT SYSTEM APPURTENANT TO PARCEL 3; SAID EASEMENT SHALL NOT BE USED FOR ANY CONFLICTING USE OR PURPOSE DETRIMENTAL TO SAID SYSTEM OR CONTRARY TO LAWS AND RULES OF GOVERNMENTAL AGENCIES APPLICABLE OR RELATED TO SAID SYSTEM.

PLANNING DEPARTMENT FILE NO. 08-047

	LAND PARTITION	
	LYING IN THE SW 1/4 OF SEC. 29 & THE NW 1/4 OF SEC. 32, TOWNSHIP 28 SOUTH, RANGE 7 WEST, W.M., DOUGLAS COUNTY, OR.	
SURVEYED FOR: KEN DEBELL P.O. BOX 2207 ROSEBURG, OR. 97470	SURVEYED BY: 809 SE Pine Street Roseburg, Oregon 97470 PHONE (541) 673-0166 FAX (541) 440-9392 iemail@ieengineering.com	JOB NO: 990-12 DWG. BY: DAF DATE: OCT., 2008 PM: SNL
SCALE: NO SCALE	DATE: OCT., 2008	PAGE: 2 OF 2