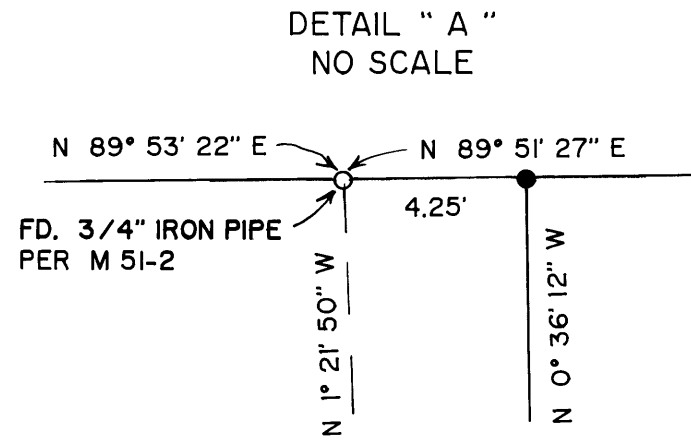


DOUGLAS COUNTY OFFICIAL RECORDS
 BARBARA E. NIELSEN, COUNTY CLERK
 2008-006723
 NO FEE
 04/04/2008 11:58:53 AM
 PLAT-PAR Cnt=1 Stn=1 RECEIPTCOUNTER
 This is a no fee document

FILED THIS THE 4th DAY OF April 2008
 2008 @ 11:58 A.M.

BARBARA E. NIELSEN
 DOUGLAS COUNTY CLERK
Carol Engels, Deputy



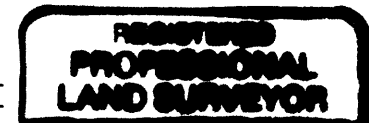
LAND PARTITION

DOUGLAS COUNTY PLANNING
 DEPARTMENT FILE NUMBER 06-342.

Located in the:
 S.E. 1/4 of N.W. 1/4 of SECTION 26,
 TOWNSHIP 32 SOUTH RANGE 5 WEST,
 WILLAMETTE MERIDIAN, DOUGLAS COUNTY, OREGON

OWNER AND PARTITIONER:
 GLORIA MOBUS
 450 BULL RUN ROAD
 AZALEA, OR. 97410-9711

NUMBER OF PARCELS: TWO (2)
 WATER SUPPLY: WELL
 SEWER DISPOSAL: SEPTIC
 ZONING:
 5R RURAL RESIDENTIAL - 5 ACRE
 COMPREHENSIVE PLAN DESIGNATION:
 RC5 COMMITTED RESIDENTIAL - 5 ACRE



PREPARED BY:
 RAYMOND F. BROWN - P.L.S. # 2391
 P. O. BOX 539
 CANYONVILLE, OREGON 97417
 Phone: (541) 839 - 6185

EXP. 12/31/09

SURVEYOR'S CERTIFICATE:

I, RAYMOND F. BROWN, BEING FIRST DULYSWORN, HEREBY, DEPOSE AND SAY THAT I HAVE CORRECTLY SURVEYED AND MARKED WITH PROPER MONUMENTS, THE LAND SHOWN HEREON. THE BOUNDARIES OF WHICH ARE DESCRIBED AS FOLLOWS.

Raymond F. Brown
 RAYMOND F. BROWN - P.L.S. # 2391
 March 20, 2008
 DATE

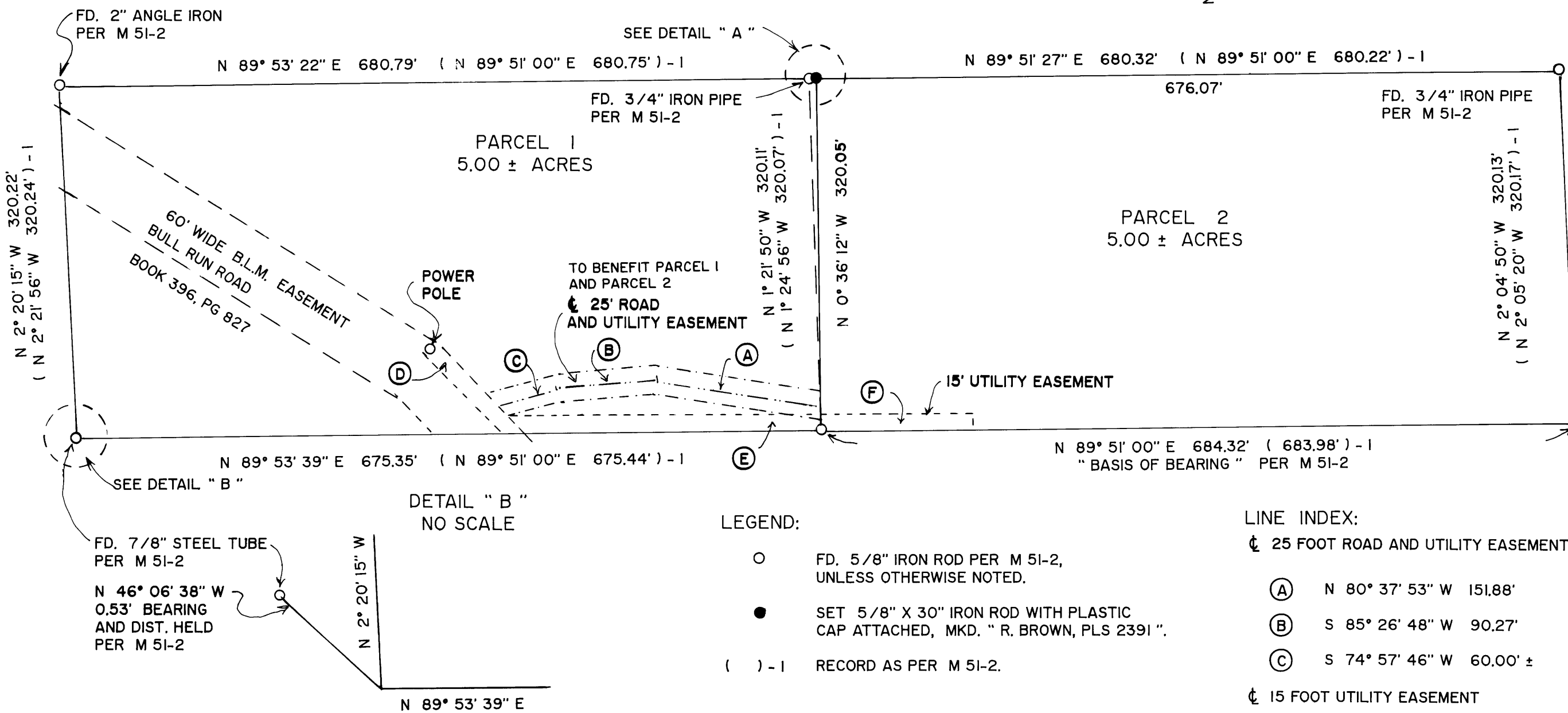
LEGAL DESCRIPTION:

THE FOLLOWING DESCRIBED REAL PROPERTY IS LOCATED IN THE SOUTHEAST QUARTER OF THE NORTHWEST QUARTER OF SECTION 26, TOWNSHIP 32 SOUTH, RANGE 5 WEST, WILLAMETTE MERIDIAN, DOUGLAS COUNTY, OREGON.

BEGINNING AT A 2 INCH ANGLE IRON LOCATED AT THE NORTHWEST SIXTEENTH CORNER OF SECTION 26, TOWNSHIP 32 SOUTH, RANGE 5 WEST, WILLAMETTE MERIDIAN, DOUGLAS COUNTY, OREGON; THENCE ALONG THE NORTH BOUNDARY OF THE SOUTHEAST QUARTER OF THE NORTHWEST QUARTER, NORTH 89° 53' 22" EAST 680.79 FEET TO A 3/4 INCH IRON PIPE; THENCE CONTINUING ALONG SAID NORTH BOUNDARY, NORTH 89° 51' 27" EAST 680.32 FEET TO A 3/4 INCH IRON PIPE; THENCE LEAVING SAID NORTH BOUNDARY AND RUNNING ALONG THE NORTH-SOUTH CENTER OF SECTION LINE TO SAID SECTION 26, SOUTH 2° 04' 50" EAST 320.13 FEET TO A 5/8 INCH IRON ROD; THENCE LEAVING SAID CENTER OF SECTION LINE AND RUNNING SOUTH 89° 51' 00" WEST 684.32 FEET TO A 5/8 INCH IRON ROD; THENCE SOUTH 89° 53' 39" WEST 675.34 FEET TO A POINT LOCATED ON THE NORTH-SOUTH CENTER SIXTEENTH LINE FOR THE SAID NORTHWEST QUARTER OF SAID SECTION 26; THENCE ALONG SAID NORTH-SOUTH SIXTEENTH LINE, NORTH 2° 20' 15" WEST 320.22 FEET TO THE POINT OF BEGINNING.

NARRATIVE:

PURPOSE OF THE SURVEY WAS TO CREATE THE PARCELS AS SHOWN. FIELD INVESTIGATION LOCATED THE SAID FOUND MONUMENTS AND CONDITIONS. ALL EXISTING MONUMENTS ALONG THE EXTERIOR BOUNDARIES OF THE PROPERTY PER SURVEY FILE NUMBER M 51-2, WERE LOCATED AND USED AS CONTROL FOR THE SURVEY.



LEGEND:

- FD. 5/8" IRON ROD PER M 51-2, UNLESS OTHERWISE NOTED.
- SET 5/8" X 30" IRON ROD WITH PLASTIC CAP ATTACHED, MKD. " R. BROWN, PLS 2391 "
- () - 1 RECORD AS PER M 51-2.

LINE INDEX:

- ⊕ 25 FOOT ROAD AND UTILITY EASEMENT
 - (A) N 80° 37' 53" W 151.88'
 - (B) S 85° 26' 48" W 90.27'
 - (C) S 74° 57' 46" W 60.00' ±
- ⊕ 15 FOOT UTILITY EASEMENT
 - (D) S 44° 06' 23" E 100.00' ±
 - (E) N 89° 53' 39" E 230.00' ±
 - (F) N 89° 51' 00" E 135.00'

DECLARATION:

I, GLORIA A. MOBUS, BEING FIRST DULY SWORN, DEPOSE AND SAY THAT I HAVE CAUSED THE LANDS DEPICTED HEREON TO BE SURVEYED AND THE EASEMENTS SHOWN HEREON TO BE CREATED AS SET FORTH, OF MY OWN FREE WILL.

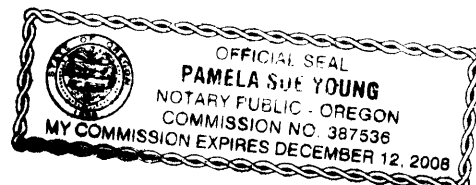
Gloria A. Mobus
 GLORIA A. MOBUS
 3-19-08
 DATE

ACKNOWLEDGEMENT: STATE OF OREGON
 COUNTY OF DOUGLAS

ON THIS THE 19th DAY OF MARCH, 2008, PERSONALLY APPEARED THE ABOVE NAMED I, GLORIA A. MOBUS, AND ACKNOWLEDGED THE FOREGOING DECLARATION TO BE A VOLUNTARY AND FREE ACT.

Pamela Sue Young
 NOTARY PUBLIC

MY COMMISSION EXPIRES 12-12-08



APPROVALS:

Keith L. Cubie
 DOUGLAS COUNTY PLANNING DEPARTMENT
 DIRECTOR
 4/2/08
 DATE

Randy Smith
 DOUGLAS COUNTY SURVEYOR'S OFFICE DEPUTY
 4-2-08
 DATE

CERTIFICATION OF TAX PREPAYMENT:

I, HEREBY CERTIFY THAT ALL TAXES AND SPECIAL ASSESSMENTS OR OTHER CHARGES REQUIRED BY LAW, HAVE BEEN PAID.

Sandra K. Preece
 DOUGLAS COUNTY TAX COLLECTOR
 4/3/08
 DATE

MARCH, 2008
 SCALE: 1" = 100'

2008-0022

2008-0022