

2007-0132 A

DOUGLAS COUNTY OFFICIAL RECORDS
 BARBARA E. NIELSEN, COUNTY CLERK 2007-022323
 NO FEE
 00199610200700223230020022
 10/12/2007 01:30:32 PM
 PLAT-PAR Cnt=1 Stn=1 RECEIPTCOUNTER
 This is a no fee document

(N89°48'E 965') R5
 N89°57'59"E 966.95'

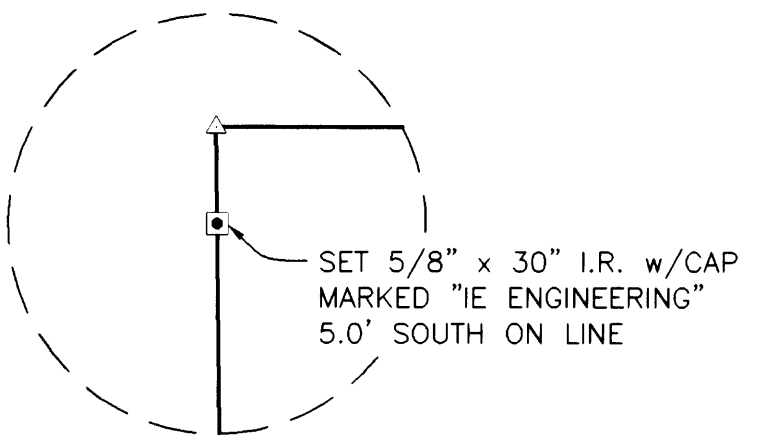
PARCEL 3
 20.74 AC±

PARCEL 1
 2.01 AC±

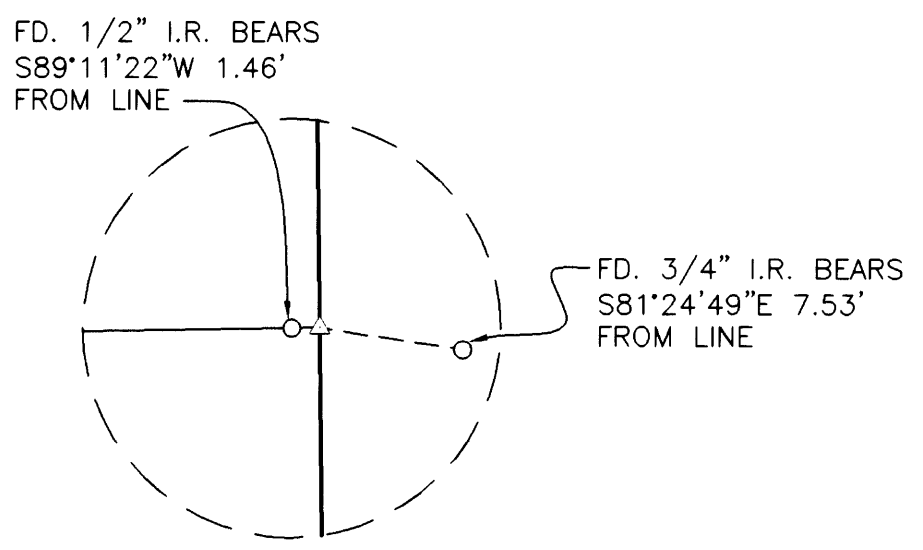
PARCEL 2
 2.16 AC±

LEGEND:

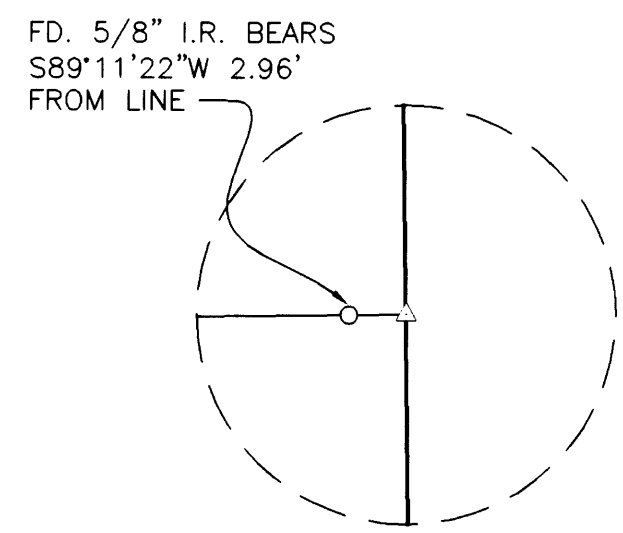
- SET 5/8" x 30" IRON ROD w/CAP MARKED "I.E. ENGINEERING" UNLESS OTHERWISE NOTED
- FOUND 5/8" IRON ROD UNLESS OTHERWISE NOTED
- FOUND AXLE
- FOUND IRON PIPE AS NOTED
- ◆ FOUND BRASS CAP AS NOTED
- △ CALCULATED POSITION
- () R1 RECORD AS PER M145-29
- () R2 RECORD AS PER PP 2006-0094
- () R3 RECORD AS PER M29-44
- () R4 RECORD AS PER VOL. 775, PG. 761
- () R5 RECORD AS PER INST. #2006-11419
- () R6 RECORD AS PER M62-28
- () R7 RECORD AS PER INST. #1991-7589



DETAIL "A"
 SCALE: 1" = 10'



DETAIL "B"
 SCALE: 1" = 10'



DETAIL "C"
 SCALE: 1" = 10'

LINE TABLE		
LINE	BEARING	LENGTH
L1	S76°25'58"E	118.53'
L2	S65°26'02"E	84.32'
L3	S83°33'21"E	273.78'
L4	S83°33'21"E	221.27'
L5	S65°26'02"E	79.98'
L6	S76°25'58"E	118.53'

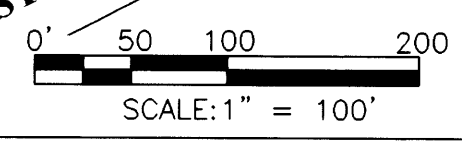
REGISTERED PROFESSIONAL LAND SURVEYOR
Ronald A. Quimby
 OREGON
 JULY 14, 1978
 RONALD A. QUIMBY
 1654
 EXPIRES: 12/31/2008

LAND PARTITION
 LYING IN THE SW 1/4 OF SEC. 29 & THE NW 1/4 OF SEC. 32, TOWNSHIP 28 SOUTH, RANGE 7 WEST, W.M., DOUGLAS COUNTY, OR.

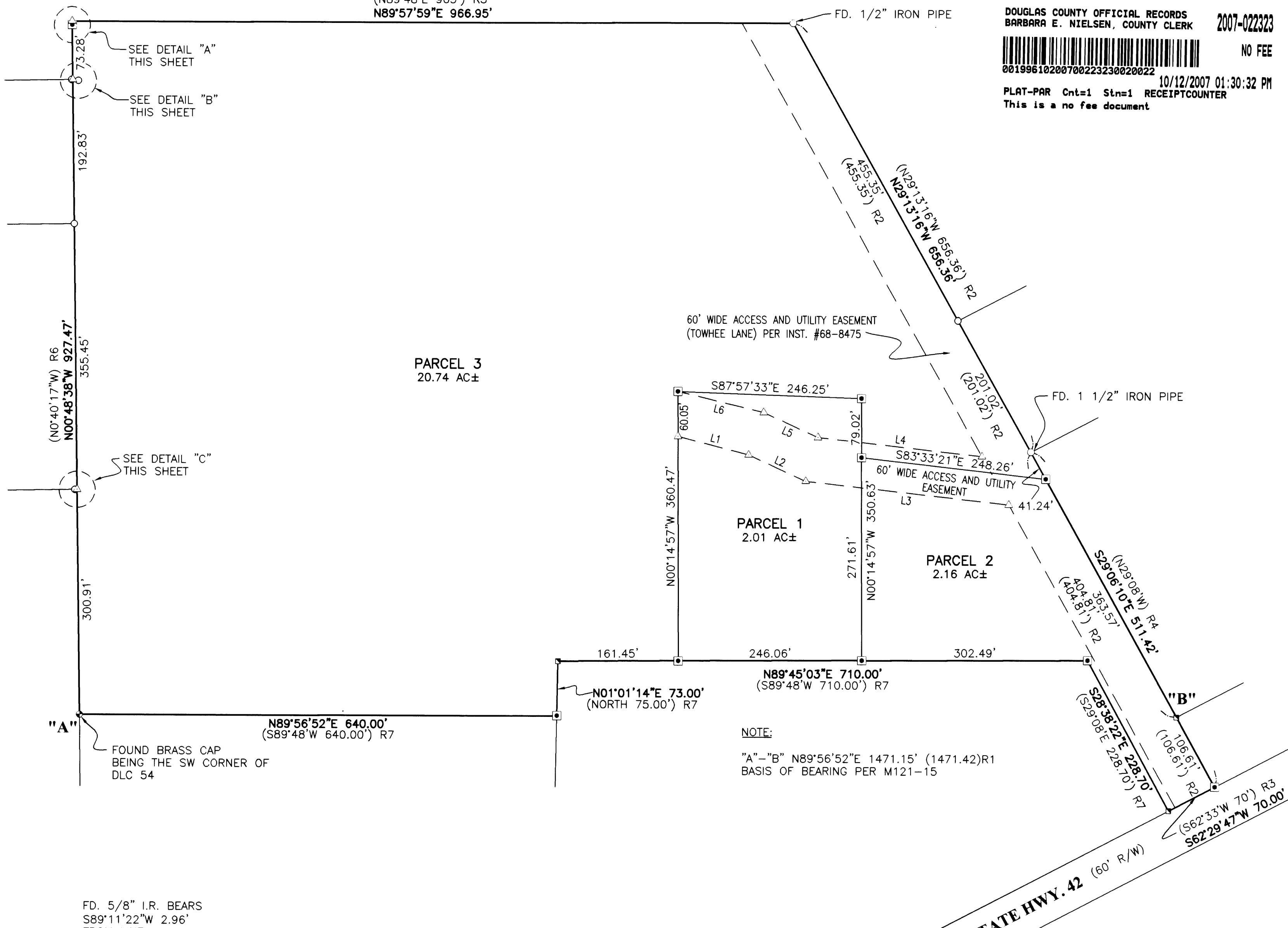
SURVEYED FOR:
 KEN DEBELL
 P.O. BOX 2207
 ROSEBURG, OR. 97470

SURVEYED BY:
i.e.
 ENGINEERING
 505 SE Main Street
 Roseburg, Oregon 97470
 PHONE (541) 673-0166
 FAX (541) 440-9392
 iemail@ieengineering.com

SCALE: AS SHOWN JOB NO: 990-12 DATE: JUNE, 2007 DWG. BY: DAF PM: DAF PAGE: 1 OF 2



NOTE:
 "A"-"B" N89°56'52"E 1471.15' (1471.42)R1
 BASIS OF BEARING PER M121-15



2007-0132 A

2007-0132 B

DECLARATION:

KNOW ALL PEOPLE BY THESE PRESENTS THAT KENNETH E. AND JOANNE DEBELL ARE THE OWNERS OF THE LAND REPRESENTED HEREON AND MORE PARTICULARLY DESCRIBED HEREIN AND HAS CAUSED THE SAME TO BE PLATTED INTO PARCELS TOGETHER WITH EASEMENTS AS SHOWN.

Kenneth DeBell 6/27/07
KENNETH E. DEBELL DATE

Joanne DeBell 6-27-07
JOANNE DEBELL DATE

APPROVALS:

Keith L. Cubie 10/5/07
DOUGLAS COUNTY PLANNING DIRECTOR DATE

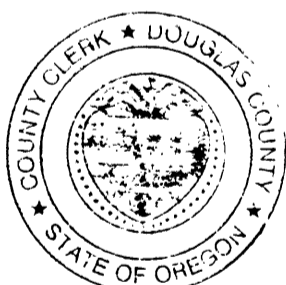
Romy Up 10-5-07
DOUGLAS COUNTY SURVEYOR DATE

I HEREBY CERTIFY THAT ALL TAXES AND SPECIAL ASSESSMENTS OR OTHER CHARGES REQUIRED BY LAW HAVE BEEN PAID.

Sandra K. Conner 10/12/07
DOUGLAS COUNTY TAX COLLECTOR DATE

FILED THIS 12th DAY OF OCTOBER, 2007, 1:30 O'CLOCK AM/PM

BARBARA E. NIELSEN 10-12-07
DOUGLAS COUNTY CLERK DATE
by Sheron App, DEPUTY



ACKNOWLEDGMENT:

STATE OF OREGON }
COUNTY OF DOUGLAS } ss.

KNOW ALL PEOPLE BY THESE PRESENTS, ON THIS 27 DAY OF June, 2007, BEFORE ME A NOTARY PUBLIC IN AND FOR SAID STATE AND COUNTY, PERSONALLY APPEARED KENNETH E. AND JOANNE DEBELL, WHO DID SAY THAT THEY ARE THE IDENTICAL PERSONS NAMED IN THE FOREGOING INSTRUMENT AND THAT THEY EXECUTED SAID INSTRUMENT FREELY AND VOLUNTARILY.

Elaine Berg
NOTARY: ELAINE BERG
NOTARY PUBLIC - OREGON
COMMISSION NO.: 405611
MY COMMISSION EXPIRES: JUNE 23, 2010

SURVEYOR'S CERTIFICATE:

I, RONALD A. QUIMBY, OREGON PROFESSIONAL LAND SURVEYOR NO. 1654, HEREBY CERTIFY THAT I HAVE CORRECTLY SURVEYED AND MARKED WITH PROPER MONUMENTS THE LAND SHOWN ON THE ANNEXED PLAT OF WHICH THE FOLLOWING IS A TRUE AND CORRECT DESCRIPTION.

ALL THAT LAND DESCRIBED IN INSTRUMENT NUMBER 199J-07589 AS RECORDED IN DOUGLAS COUNTY DEED RECORDS, LOCATED IN THE SOUTHWEST QUARTER OF SECTION 29, TOWNSHIP 28 SOUTH, RANGE 6 WEST, WILLAMETTE MERIDIAN, DOUGLAS COUNTY, OREGON.

NARRATIVE:

THE PURPOSE OF THIS MAP IS TO PARTITION THAT LAND DESCRIBED IN INSTRUMENT NUMBER 1999-07589, INTO 3 PARCELS. PROCEDURE WAS AS FOLLOWS:

MONUMENTS OF RECORD WERE TIED AND HELD AS SHOWN. THE SOUTH BOUNDARY WAS ESTABLISHED USING RECORD DISTANCE FROM FOUND MONUMENTS AS SHOWN. MONUMENTS WERE SET TO DELINEATE NEW LINES AS SHOWN.

FIELD CREW: MIKE FROMDAHL AND JOSH MAXWELL

EQUIPMENT: NIKON TOTAL STATION AND TDS RECON DATA COLLECTOR

OFFICE: DEREK FEIGEL

DRAFTING: DEREK FEIGEL

ZONE: RR
COMP. PLAN: RC2
WATER: WELL
SEWER: SEPTIC

PLANNING DEPARTMENT FILE NO. 06-313

2007-0132 B

	LAND PARTITION	
	LYING IN THE SW 1/4 OF SEC. 29 & THE NW 1/4 OF SEC. 32, TOWNSHIP 28 SOUTH, RANGE 7 WEST, W.M., DOUGLAS COUNTY, OR.	
SURVEYED FOR: KEN DEBELL P.O. BOX 2207 ROSEBURG, OR. 97470	SURVEYED BY: 505 SE Main Street Roseburg, Oregon 97470 PHONE (541) 673-0166 FAX (541) 440-9392 iemail@ieengineering.com	
	JOB NO: 990-12 DATE: JUNE, 2007	DWG. BY: DAF PM: DAF