

ACKNOWLEDGMENT:

STATE OF OREGON }
COUNTY OF DOUGLAS } SS

PERSONALLY APPEARED BEFORE ME ON THIS 2nd DAY OF Nov., 1999, IN SAID STATE AND COUNTY, ROLAND THEISS, MARGARET THEISS, AND SCOTT BARRAZA WHO ACKNOWLEDGE THE ANNEXED INSTRUMENT TO BE THEIR VOLUNTARY ACT AND DEED.



Jean H. Crawford
NOTARY PUBLIC

DECLARATION AND DEDICATION:

KNOWN ALL MEN BY THESE PRESENTS ROLAND THEISS, MARGARET THEISS, AND SCOTT BARRAZA ARE THE OWNERS OF THE LAND REPRESENTED ON THE ANNEXED MAP AND MORE PARTICULARLY DESCRIBED ON THE ACCOMPANYING SURVEYOR'S CERTIFICATE, HAVE CAUSED THE SAME TO BE PARTITIONED AS SHOWN ON THE ANNEXED PLAT.

Roland Theiss 11/2/99 *Margaret Theiss by* 11-2-99
ROLAND THEISS DATE MARGARET THEISS DATE
Scott B 11-2-99 *Roland Theiss A.T.F.*
SCOTT BARRAZA DATE

SURVEYOR'S CERTIFICATE

I, WILLIAM J. RUPPERT, SAY THAT THE LAND DEPICTED ON THE ACCOMPANYING LAND PARTITION MAP HAS BEEN SURVEYED AND MARKED WITH THE PROPER MONUMENTS, AND THAT THE DESCRIPTION OF THE LAND DEPICTED ON THE ACCOMPANYING LAND PARTITION MAP IS AS FOLLOWS:

LOT 12 OF WECKS TRACTS IN SECTION 33, TOWNSHIP 29 SOUTH, RANGE 5 WEST, WILLAMETTE MERIDIAN, DOUGLAS COUNTY, OREGON, LESS THE WESTERLY 5 FEET.

William J. Ruppert
WILLIAM J. RUPPERT

SURVEY NARRATIVE

THIS SURVEY IS BASED ON FOUND MONUMENTS THAT ARE THE BEST EVIDENCE OF WECKS TRACTS. THE PIPE NEAR THE SOUTHEAST CORNER WAS DEEMED UNACCEPTABLE. THE SE CORNER WAS SET AT PROPORTIONAL DISTANCE AS SHOWN.

EQUIPMENT: PENTAX PTS III 10 AND 100 FT STEEL TAPE.

SURVEY, CALCULATIONS AND DRAFTING BY WILLIAM J. RUPPERT

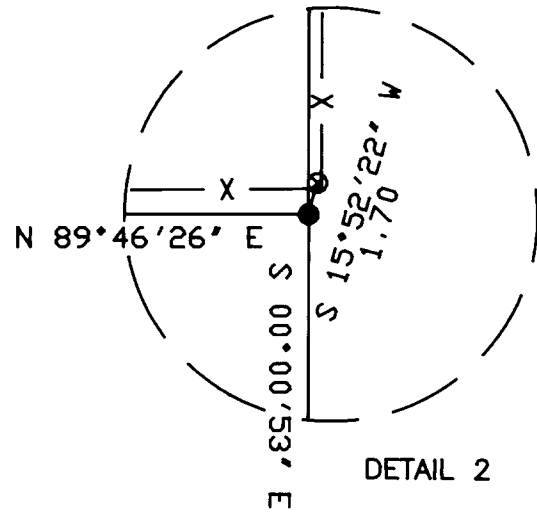
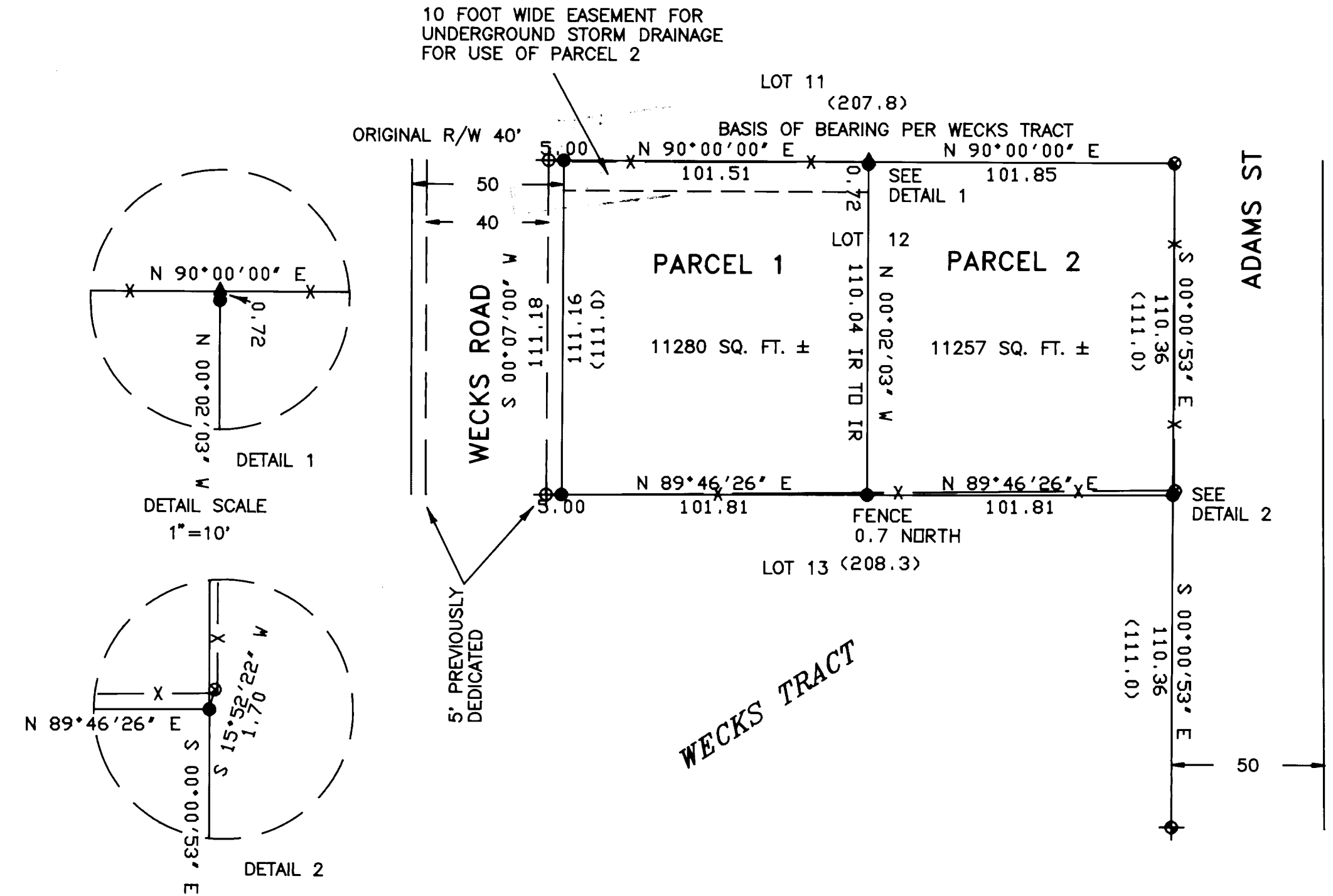
APPROVALS

Keith L. Cubic 12/9/99
DOUGLAS COUNTY PLANNING DIRECTOR DATE

Romey Ware 12/10/99
COUNTY SURVEYOR DATE

I HEREBY CERTIFY THAT ALL TAXES AND SPECIAL ASSESSMENTS OR OTHER CHARGES REQUIRED BY LAW HAVE BEEN PAID.

Ray Norstrom 12/10/99
DOUGLAS COUNTY TAX COLLECTOR DATE

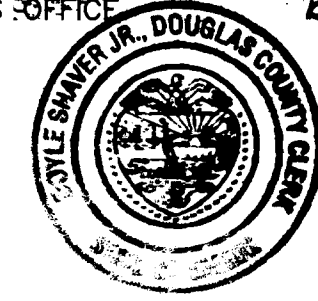


LEGEND

- ⊕ FOUND 2" IRON PIPE
- ⊙ FOUND 3/4" IRON PIPE
- ⊕ FOUND 1.5" IRON PIPE
- () RECORD PER WECKS TRACTS
- ▲ COMPUTED POINT UNDER WOOD FENCE
- SET 5/8" X 30" IRON ROD WITH 1.25" PLASTIC CAP LS 866

— X — FENCE

FILED THIS DAY 13th OF December 1999, BY DOYLE SHAVER JR., DOUGLAS COUNTY CLERK'S OFFICE, *at 11:59am by Carol Engels Deputy*



STATE OF OREGON }
COUNTY OF DOUGLAS } SS
I, DOYLE SHAVER JR., COUNTY CLERK AND RECORDER OF CONVEYANCES, DO HEREBY CERTIFY THAT THIS INSTRUMENT WAS RECORDED

99 DEC 13 AM 11:59
DOYLE SHAVER JR.
DOUGLAS COUNTY CLERK
IN THE OFFICIAL RECORDS OF DOUGLAS COUNTY
BY *Carol Engels*
FEE PP

LAND PARTITION SURVEY OF DEED 99-11837 IN	
SW 1/4 SECTION 33, T29S, R5W, WM LOT 12 OF WECKS TRACTS	
OWNER: Roland Theiss Margaret Theiss Scott Barraza P. O. BOX 824 MYRTLE CREEK, OR 97457	
ZONE: R1 COMP. PLAN DESIG.: MEDIUM DENSITY RESIDENTIAL (RMD) WATER SUPPLY: TRI-CITY WATER DISTRICT SEWAGE DISPOSAL: TRI-CITY SANITARY DISTRICT Planning Dept. File 99-131	
REGISTERED OREGON LAND SURVEYOR <i>William J. Ruppert</i> JULY 12, 1968 WILLIAM J. RUPPERT 866	Surveyed by: WILLIAM J. RUPPERT P.O. BOX 1564 MYRTLE CREEK, OR 97457
MY REGISTRATION EXPIRES 12/31/2000	SCALE 1"=40' OCTOBER 1999 SHEET 1 OF 1